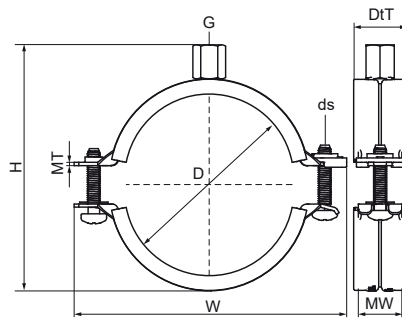


Walraven Bifix® G2 with Lining (M8/10) (BUP1000)

(A0552)

for steel, copper, cast iron and plastic (multilayer) pipe



Features & benefits

- two-screw clamp
- quick closing mechanism for easy locking of the clamp with one hand
- 2 component rubber lining provides easy positioning of the pipe during installation
- when the clamp is closed, the pipe rests on soft black rubber lining for increased noise reduction
- material: steel
- product is part of the Walraven BIS UltraProtect® 1000 system
- suitable for in- and outdoor applications
- stands min. 1,000 hours salt spray test (max. 5% red rust) according to ISO 9227
- temperature resistance from -30 °C to +120 °C
- sound insulating lining according DIN 4109
- noise reduction according to ISO 3822-1 up to 23 dB(A)



| Product Number | Outside Pipe Diameter | DN | Pipe Diameter Imperial | Connection Thread | Total Height | Total Width | Total Depth | Material Width | Material Thickness | Screw Size | Maximum Allowed Load Faz | Approvals |
|------------------|-----------------------|--------|------------------------|-------------------|--------------|-------------|-------------|----------------|--------------------|------------|--------------------------|---|
| Reference Letter | D | D | D | G | H | W | DtT | MW | MT | ds | Fa,z | |
| Unit description | mm | | " | | mm | mm | mm | mm | mm | | N | |
| 31085014 | 10 - 14 | DN 8 | 1/4 | M8/M10 | 42 | 59 | 24 | 20 | 1.25 | M6 | 700 | CE, ETA, RAL-GZ 655/B, ITB (KOT), ISO 3822-1, EPD |
| 31085019 | 15 - 19 | DN 10 | 3/8 | M8/M10 | 46 | 63 | 24 | 20 | 1.25 | M6 | 700 | CE, ETA, RAL-GZ 655/B, ITB (KOT), ISO 3822-1, EPD |
| 31085023 | 20 - 23 | DN 15 | 1/2 | M8/M10 | 51 | 68 | 24 | 20 | 1.25 | M6 | 700 | CE, ETA, RAL-GZ 655/B, ITB (KOT), ISO 3822-1, EPD |
| 31085028 | 25 - 28 | DN 20 | 3/4 | M8/M10 | 57 | 74 | 24 | 20 | 1.25 | M6 | 700 | CE, ETA, RAL-GZ 655/B, ITB (KOT), ISO 3822-1, EPD |
| 31085035 | 31 - 35 | DN 25 | 1 | M8/M10 | 67 | 80 | 24 | 20 | 1.25 | M6 | 700 | CE, ETA, RAL-GZ 655/B, ITB (KOT), ISO 3822-1, EPD |
| 31085039 | 36 - 39 | - | - | M8/M10 | 71 | 84 | 24 | 20 | 1.25 | M6 | 700 | CE, ETA, RAL-GZ 655/B, ITB (KOT), ISO 3822-1, EPD |
| 31085045 | 40 - 45 | DN 32 | 1 1/4 | M8/M10 | 76 | 91 | 24 | 20 | 1.25 | M6 | 700 | CE, ETA, RAL-GZ 655/B, ITB (KOT), ISO 3822-1, EPD |
| 31085052 | 48 - 52 | DN 40 | 1 1/2 | M8/M10 | 84 | 97 | 24 | 20 | 1.25 | M6 | 700 | CE, ETA, RAL-GZ 655/B, ITB (KOT), ISO 3822-1, EPD |
| 31085058 | 54 - 58 | - | - | M8/M10 | 94 | 104 | 24 | 20 | 1.25 | M6 | 700 | CE, ETA, RAL-GZ 655/B, ITB (KOT), ISO 3822-1, EPD |
| 31085064 | 60 - 64 | DN 50 | 2 | M8/M10 | 101 | 109 | 24 | 20 | 1.25 | M6 | 700 | CE, ETA, RAL-GZ 655/B, ITB (KOT), ISO 3822-1, EPD |
| 31085070 | 66 - 70 | - | - | M8/M10 | 107 | 118 | 24 | 20 | 1.50 | M6 | 800 | CE, ETA, RAL-GZ 655/B, ITB (KOT), ISO 3822-1, EPD |
| 31085079 | 75 - 79 | DN 65 | 2 1/2 | M8/M10 | 113 | 125 | 22 | 20 | 1.50 | M6 | 800 | CE, ETA, RAL-GZ 655/B, ITB (KOT), ISO 3822-1, EPD |
| 31085083 | 80 - 83 | - | - | M8/M10 | 120 | 131 | 22 | 20 | 1.50 | M6 | 800 | CE, ETA, RAL-GZ 655/B, ITB (KOT), ISO 3822-1, EPD |
| 31085091 | 88 - 91 | DN 80 | 3 | M8/M10 | 130 | 142 | 27 | 23 | 2.00 | M6 | 1,700 | CE, ETA, RAL-GZ 655/B, ITB (KOT), ISO 3822-1, EPD |
| 31085105 | 100 - 105 | - | - | M8/M10 | 141 | 155 | 27 | 23 | 2.00 | M6 | 1,700 | CE, ETA, RAL-GZ 655/B, ITB (KOT), ISO 3822-1, EPD |
| 31085115 | 108 - 115 | DN 100 | 4 | M8/M10 | 153 | 164 | 27 | 23 | 2.00 | M6 | 1,700 | CE, ETA, RAL-GZ 655/B, ITB (KOT), ISO 3822-1, EPD |
| 31085130 | 125 - 130 | - | - | M8/M10 | 170 | 181 | 27 | 23 | 2.00 | M6 | 1,700 | CE, ETA, RAL-GZ 655/B, ITB (KOT), ISO 3822-1, EPD |
| 31085140 | 133 - 140 | DN 125 | 5 | M8/M10 | 180 | 191 | 27 | 23 | 2.00 | M6 | 1,700 | CE, ETA, RAL-GZ 655/B, ITB (KOT), ISO 3822-1, EPD |
| 31085160 | 152 - 160 | - | - | M8/M10 | 199 | 211 | 27 | 23 | 2.00 | M6 | 1,700 | CE, ETA, RAL-GZ 655/B, ITB (KOT), ISO 3822-1, EPD |
| 31085169 | 165 - 169 | DN 150 | 6 | M8/M10 | 211 | 225 | 29 | 25 | 2.50 | M8 | 2,000 | CE, ETA, RAL-GZ 655/B, ITB (KOT), ISO 3822-1, EPD |

Walraven Bifix® G2 with Lining (M8/10) (BUP1000)

(A0552)

for steel, copper, cast iron and plastic (multilayer) pipe

| Product Number | Outside Pipe Diameter | DN | Pipe Diameter Imperial | Connection Thread | Total Height | Total Width | Total Depth | Material Width | Material Thickness | Screw Size | Maximum Allowed Load Faz | Approvals |
|------------------|-----------------------|--------|------------------------|-------------------|--------------|-------------|-------------|----------------|--------------------|------------|--------------------------|---|
| Reference Letter | D | D | D | G | H | W | DtT | MW | MT | ds | Fa,z | |
| Unit description | mm | | " | | mm | mm | mm | mm | mm | | N | |
| 31085097 | 92 - 97 | - | - | M8/M10 | 134 | 148 | 27 | 23 | 2.00 | M6 | 1,700 | CE, ETA, RAL-GZ 655/B, ITB (KOT), ISO 3822-1, EPD |
| 31085180 | 176 - 180 | - | - | M8/M10 | 223 | 238 | 29 | 25 | 2.50 | M8 | 2,500 | CE, ETA, ITB (KOT), ISO 3822-1, EPD |
| 31085200 | 192 - 200 | - | - | M8/M10 | 236 | 257 | 29 | 25 | 2.50 | M8 | 2,500 | CE, ETA, ITB (KOT), ISO 3822-1, EPD |
| 31085210 | 205 - 210 | - | - | M8/M10 | 250 | 269 | 29 | 25 | 2.50 | M8 | 2,500 | CE, ETA, ITB (KOT), ISO 3822-1, EPD |
| 31085225 | 219 - 225 | DN 200 | 8 | M8/M10 | 263 | 283 | 29 | 25 | 2.50 | M8 | 2,500 | CE, ETA, ITB (KOT), ISO 3822-1, EPD |