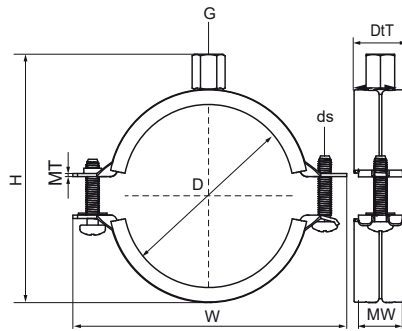


## Walraven 2S Clamp with Lining (M8/10)

(A05136)

for steel, copper, cast iron and plastic (multilayer) pipe



### Features & benefits

- gapless range
- rubber lining grips in steel parts to prevent sliding of the lining
- anti loss washers prevent screws from falling out during installation
- material: steel
- zinc plated
- temperature resistance from -30 °C to +120 °C
- sound insulating lining according DIN 4109
- noise reduction according to ISO 3822-1 up to 22 dB(A)



| Product Number   | Outside Pipe Diameter | DN     | Pipe Diameter Imperial | Connection Thread | Total Height | Total Width | Total Depth | Material Width | Material Thickness | Screw Size | Maximum Allowed Load Faz | Approvals                             |
|------------------|-----------------------|--------|------------------------|-------------------|--------------|-------------|-------------|----------------|--------------------|------------|--------------------------|---------------------------------------|
| Reference Letter | D                     | D      | D                      | G                 | H            | W           | DtT         | MW             | MT                 | ds         | F <sub>0,z</sub>         |                                       |
| Unit description | mm                    |        | "                      |                   | mm           | mm          | mm          | mm             | mm                 |            | N                        |                                       |
| 33435014         | 10 - 14               | DN 8   | 1/4                    | M8/M10            | 40           | 51          | 23          | 20             | 1.00               | M5         | 330                      | CE, ETA, RAL-GZ 655/B, ITB (KOT), EPD |
| 33435019         | 15 - 19               | DN 10  | 3/8                    | M8/M10            | 45           | 56          | 23          | 20             | 1.00               | M5         | 330                      | CE, ETA, RAL-GZ 655/B, ITB (KOT), EPD |
| 33435024         | 20 - 24               | DN 15  | 1/2                    | M8/M10            | 51           | 62          | 23          | 20             | 1.00               | M5         | 330                      | CE, ETA, RAL-GZ 655/B, ITB (KOT), EPD |
| 33435030         | 25 - 30               | DN 20  | 3/4                    | M8/M10            | 58           | 69          | 23          | 20             | 1.00               | M5         | 330                      | CE, ETA, RAL-GZ 655/B, ITB (KOT), EPD |
| 33435037         | 31 - 37               | DN 25  | 1                      | M8/M10            | 64           | 75          | 23          | 20             | 1.00               | M5         | 330                      | CE, ETA, RAL-GZ 655/B, ITB (KOT)      |
| 33435046         | 38 - 46               | DN 32  | 1 1/4                  | M8/M10            | 74           | 84          | 23          | 20             | 1.25               | M5         | 500                      | CE, ETA, RAL-GZ 655/B, ITB (KOT), EPD |
| 33435052         | 47 - 52               | DN 40  | 1 1/2                  | M8/M10            | 82           | 93          | 23          | 20             | 1.25               | M5         | 500                      | CE, ETA, RAL-GZ 655/B, ITB (KOT), EPD |
| 33435061         | 53 - 61               | DN 50  | 2                      | M8/M10            | 88           | 99          | 23          | 20             | 1.25               | M5         | 500                      | CE, ETA, RAL-GZ 655/B, ITB (KOT), EPD |
| 33435067         | 62 - 67               | -      | -                      | M8/M10            | 95           | 106         | 23          | 20             | 1.25               | M5         | 500                      | CE, ETA, RAL-GZ 655/B, ITB (KOT), EPD |
| 33435074         | 68 - 74               | -      | -                      | M8/M10            | 103          | 118         | 23          | 20             | 1.50               | M6         | 850                      | CE, ETA, RAL-GZ 655/B, ITB (KOT), EPD |
| 33435081         | 75 - 81               | DN 65  | 2 1/2                  | M8/M10            | 109          | 124         | 23          | 20             | 1.50               | M6         | 850                      | CE, ETA, RAL-GZ 655/B, ITB (KOT), EPD |
| 33435087         | 82 - 87               | -      | -                      | M8/M10            | 115          | 130         | 23          | 20             | 1.50               | M6         | 850                      | CE, ETA, RAL-GZ 655/B, ITB (KOT), EPD |
| 33435095         | 88 - 95               | DN 80  | 3                      | M8/M10            | 127          | 143         | 26          | 23             | 2.00               | M6         | 1,000                    | CE, ETA, RAL-GZ 655/B, ITB (KOT), EPD |
| 33435103         | 96 - 103              | -      | -                      | M8/M10            | 136          | 153         | 26          | 23             | 2.00               | M6         | 1,000                    | CE, ETA, RAL-GZ 655/B, ITB (KOT), EPD |
| 33435112         | 104 - 112             | -      | -                      | M8/M10            | 142          | 159         | 26          | 23             | 2.00               | M6         | 1,000                    | CE, ETA, RAL-GZ 655/B, ITB (KOT), EPD |
| 33435118         | 113 - 118             | DN 100 | 4                      | M8/M10            | 151          | 168         | 26          | 23             | 2.00               | M6         | 1,000                    | CE, ETA, RAL-GZ 655/B, ITB (KOT), EPD |
| 33435127         | 119 - 127             | -      | -                      | M8/M10            | 161          | 178         | 26          | 23             | 2.00               | M6         | 1,000                    | CE, ETA, RAL-GZ 655/B, ITB (KOT), EPD |
| 33435137         | 128 - 137             | -      | -                      | M8/M10            | 168          | 185         | 26          | 23             | 2.00               | M6         | 1,000                    | CE, ETA, RAL-GZ 655/B, ITB (KOT), EPD |
| 33435144         | 138 - 144             | DN 125 | 5                      | M8/M10            | 177          | 194         | 26          | 23             | 2.00               | M6         | 1,000                    | CE, ETA, RAL-GZ 655/B, ITB (KOT), EPD |
| 33435153         | 145 - 153             | -      | -                      | M8/M10            | 186          | 203         | 26          | 23             | 2.00               | M6         | 1,000                    | CE, ETA, RAL-GZ 655/B, ITB (KOT), EPD |
| 33435162         | 154 - 162             | -      | -                      | M8/M10            | 194          | 211         | 26          | 23             | 2.00               | M6         | 1,000                    | CE, ETA, RAL-GZ 655/B, ITB (KOT), EPD |

# Walraven 2S Clamp with Lining (M8/10)

(A05136)

for steel, copper, cast iron and plastic (multilayer) pipe

| Product Number   | Outside Pipe Diameter | DN     | Pipe Diameter Imperial | Connection Thread | Total Height | Total Width | Total Depth | Material Width | Material Thickness | Screw Size | Maximum Allowed Load Faz | Approvals                             |
|------------------|-----------------------|--------|------------------------|-------------------|--------------|-------------|-------------|----------------|--------------------|------------|--------------------------|---------------------------------------|
| Reference Letter | D                     | D      | D                      | G                 | H            | W           | DtT         | MW             | MT                 | ds         | Fa,z                     |                                       |
| Unit description | mm                    |        | "                      |                   | mm           | mm          | mm          | mm             | mm                 |            | N                        |                                       |
| 33435172         | 163 - 172             | DN 150 | 6                      | M8/M10            | 210          | 227         | 28          | 25             | 2.50               | M6         | 2,350                    | CE, ETA, RAL-GZ 655/B, ITB (KOT), EPD |
| 33435183         | 173 - 183             | -      | -                      | M8/M10            | 221          | 239         | 28          | 25             | 2.50               | M6         | 2,350                    | CE, ETA, RAL-GZ 655/B, ITB (KOT), EPD |
| 33435194         | 184 - 194             | -      | -                      | M8/M10            | 232          | 249         | 28          | 25             | 2.50               | M6         | 2,350                    | CE, ETA, RAL-GZ 655/B, ITB (KOT), EPD |
| 33435205         | 195 - 205             | -      | -                      | M8/M10            | 243          | 260         | 28          | 25             | 2.50               | M6         | 2,350                    | CE, ETA, RAL-GZ 655/B, ITB (KOT), EPD |
| 33435216         | 206 - 216             | -      | -                      | M8/M10            | 253          | 271         | 28          | 25             | 2.50               | M6         | 2,350                    | CE, ETA, RAL-GZ 655/B, ITB (KOT), EPD |
| 33435225         | 217 - 225             | DN 200 | 8                      | M8/M10            | 261          | 279         | 28          | 25             | 2.50               | M6         | 2,350                    | CE, ETA, RAL-GZ 655/B, ITB (KOT), EPD |