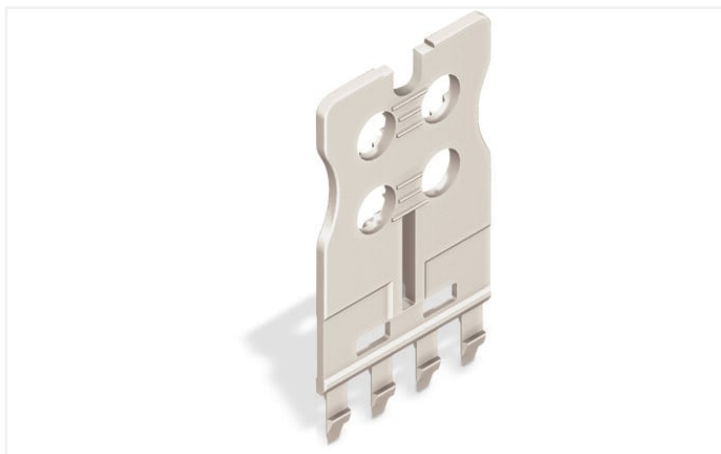


## Data Sheet | Item Number: 2092-1601

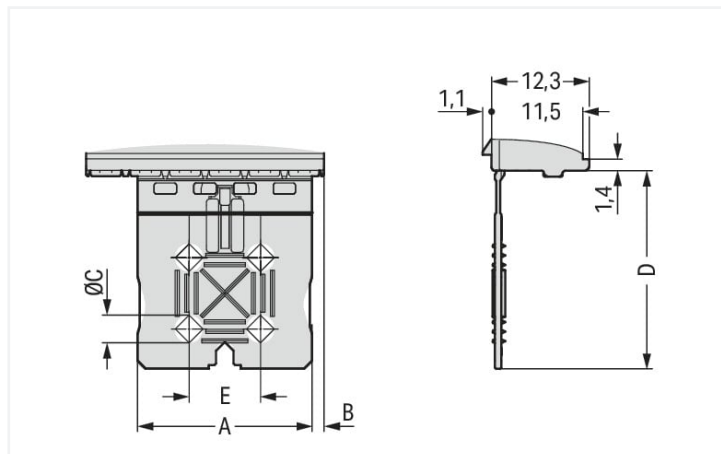
Gripping plate; for female and male connectors; 1 part; Pin spacing 5 mm; 3- to 4-pole; light gray

<https://www.wago.com/2092-1601>



Color: ■ light gray

Similar to illustration



Dimensions in mm

L = pole no. x pin spacing  
A = 3.6 mm THT solder pin  
A = 2.4 mm THR solder pin

### Physical data

Pin spacing	5 mm / 0.197 inches
-------------	---------------------

### Material data

Note (material data)

[Information on material specifications can be found here](https://www.wago.com/us/material-specifications)

Color	light gray
Fire load	0.007 MJ
Weight	0.2 g

### Commercial data

Product Group	26 (picoMAX Connectors)
eCl@ss 10.0	27-14-11-92
eCl@ss 9.0	27-14-11-92
ETIM 8.0	EC002848
ETIM 7.0	EC002848
PU (SPU)	100 (25) pcs
Packaging type	Box
Country of origin	DE
GTIN	4050821164319
Customs tariff number	85389099990

### Environmental Product Compliance

RoHS Compliance Status

Compliant, No Exemption

### Downloads

#### Environmental Product Compliance

##### Compliance Search

Environmental Product  
Compliance 2092-1601



### Documentation

#### Additional Information

Technical Section

03.04.2019

pdf

2010.85 KB



### CAD/CAE-Data

#### CAD data

2D/3D Models  
2092-1601



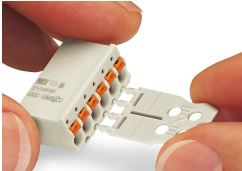
#### CAE data

ZUKEN Portal  
2092-1601



### Installation Notes

#### Strain relief



Gripping plates are suitable for factory and field assembly.