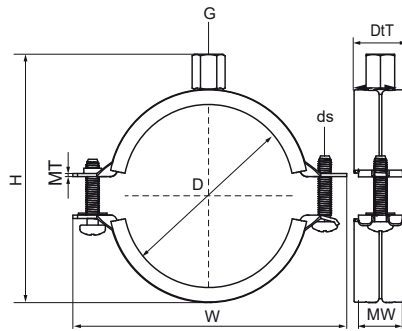


Walraven 2S Clamp with Lining (M8/10)

(A05136)

for steel, copper, cast iron and plastic (multilayer) pipe



Features & benefits

- gapless range
- rubber lining grips in steel parts to prevent sliding of the lining
- anti loss washers prevent screws from falling out during installation
- material: steel
- zinc plated
- temperature resistance from -30 °C to +120 °C
- sound insulating lining according DIN 4109
- noise reduction according to ISO 3822-1 up to 22 dB(A)



Product Number	Outside Pipe Diameter	DN	Pipe Diameter Imperial	Connection Thread	Total Height	Total Width	Total Depth	Material Width	Material Thickness	Screw Size	Maximum Allowed Load Faz	Approvals
Reference Letter	D	D	D	G	H	W	DtT	MW	MT	ds	F _{0,z}	
Unit description	mm		"		mm	mm	mm	mm	mm		N	
33435014	10 - 14	DN 8	1/4	M8/M10	40	51	23	20	1.00	M5	330	CE, ETA, RAL-GZ 655/B, ITB (KOT), EPD
33435019	15 - 19	DN 10	3/8	M8/M10	45	56	23	20	1.00	M5	330	CE, ETA, RAL-GZ 655/B, ITB (KOT), EPD
33435024	20 - 24	DN 15	1/2	M8/M10	51	62	23	20	1.00	M5	330	CE, ETA, RAL-GZ 655/B, ITB (KOT), EPD
33435030	25 - 30	DN 20	3/4	M8/M10	58	69	23	20	1.00	M5	330	CE, ETA, RAL-GZ 655/B, ITB (KOT), EPD
33435037	31 - 37	DN 25	1	M8/M10	64	75	23	20	1.00	M5	330	CE, ETA, RAL-GZ 655/B, ITB (KOT)
33435046	38 - 46	DN 32	1 1/4	M8/M10	74	84	23	20	1.25	M5	500	CE, ETA, RAL-GZ 655/B, ITB (KOT), EPD
33435052	47 - 52	DN 40	1 1/2	M8/M10	82	93	23	20	1.25	M5	500	CE, ETA, RAL-GZ 655/B, ITB (KOT), EPD
33435061	53 - 61	DN 50	2	M8/M10	88	99	23	20	1.25	M5	500	CE, ETA, RAL-GZ 655/B, ITB (KOT), EPD
33435067	62 - 67	-	-	M8/M10	95	106	23	20	1.25	M5	500	CE, ETA, RAL-GZ 655/B, ITB (KOT), EPD
33435074	68 - 74	-	-	M8/M10	103	118	23	20	1.50	M6	850	CE, ETA, RAL-GZ 655/B, ITB (KOT), EPD
33435081	75 - 81	DN 65	2 1/2	M8/M10	109	124	23	20	1.50	M6	850	CE, ETA, RAL-GZ 655/B, ITB (KOT), EPD
33435087	82 - 87	-	-	M8/M10	115	130	23	20	1.50	M6	850	CE, ETA, RAL-GZ 655/B, ITB (KOT), EPD
33435095	88 - 95	DN 80	3	M8/M10	127	143	26	23	2.00	M6	1,000	CE, ETA, RAL-GZ 655/B, ITB (KOT), EPD
33435103	96 - 103	-	-	M8/M10	136	153	26	23	2.00	M6	1,000	CE, ETA, RAL-GZ 655/B, ITB (KOT), EPD
33435112	104 - 112	-	-	M8/M10	142	159	26	23	2.00	M6	1,000	CE, ETA, RAL-GZ 655/B, ITB (KOT), EPD
33435118	113 - 118	DN 100	4	M8/M10	151	168	26	23	2.00	M6	1,000	CE, ETA, RAL-GZ 655/B, ITB (KOT), EPD
33435127	119 - 127	-	-	M8/M10	161	178	26	23	2.00	M6	1,000	CE, ETA, RAL-GZ 655/B, ITB (KOT), EPD
33435137	128 - 137	-	-	M8/M10	168	185	26	23	2.00	M6	1,000	CE, ETA, RAL-GZ 655/B, ITB (KOT), EPD
33435144	138 - 144	DN 125	5	M8/M10	177	194	26	23	2.00	M6	1,000	CE, ETA, RAL-GZ 655/B, ITB (KOT), EPD
33435153	145 - 153	-	-	M8/M10	186	203	26	23	2.00	M6	1,000	CE, ETA, RAL-GZ 655/B, ITB (KOT), EPD
33435162	154 - 162	-	-	M8/M10	194	211	26	23	2.00	M6	1,000	CE, ETA, RAL-GZ 655/B, ITB (KOT), EPD

Walraven 2S Clamp with Lining (M8/10)

(A05136)

for steel, copper, cast iron and plastic (multilayer) pipe

Product Number	Outside Pipe Diameter	DN	Pipe Diameter Imperial	Connection Thread	Total Height	Total Width	Total Depth	Material Width	Material Thickness	Screw Size	Maximum Allowed Load Faz	Approvals
Reference Letter	<i>D</i>	<i>D</i>	<i>D</i>	<i>G</i>	<i>H</i>	<i>W</i>	<i>DtT</i>	<i>MW</i>	<i>MT</i>	<i>ds</i>	<i>Fa,z</i>	
Unit description	mm		"		mm	mm	mm	mm	mm		N	
33435172	163 - 172	DN 150	6	M8/M10	210	227	28	25	2.50	M6	2,350	CE, ETA, RAL-GZ 655/B, ITB (KOT), EPD
33435183	173 - 183	-	-	M8/M10	221	239	28	25	2.50	M6	2,350	CE, ETA, RAL-GZ 655/B, ITB (KOT), EPD
33435194	184 - 194	-	-	M8/M10	232	249	28	25	2.50	M6	2,350	CE, ETA, RAL-GZ 655/B, ITB (KOT), EPD
33435205	195 - 205	-	-	M8/M10	243	260	28	25	2.50	M6	2,350	CE, ETA, RAL-GZ 655/B, ITB (KOT), EPD
33435216	206 - 216	-	-	M8/M10	253	271	28	25	2.50	M6	2,350	CE, ETA, RAL-GZ 655/B, ITB (KOT), EPD
33435225	217 - 225	DN 200	8	M8/M10	261	279	28	25	2.50	M6	2,350	CE, ETA, RAL-GZ 655/B, ITB (KOT), EPD