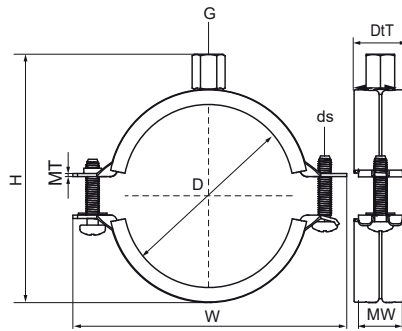


## Walraven 2S Clamp with Lining (M8/10)

(A05136)

for steel, copper, cast iron and plastic (multilayer) pipe



### Features & benefits

- gapless range
- rubber lining grips in steel parts to prevent sliding of the lining
- anti loss washers prevent screws from falling out during installation
- material: steel
- zinc plated
- temperature resistance from -30 °C to +120 °C
- sound insulating lining according DIN 4109
- noise reduction according to ISO 3822-1 up to 22 dB(A)



Product Number	VVS Number	Outside Pipe Diameter	DN	Pipe Diameter Imperial	Connection Thread	Total Height	Total Width	Total Depth	Material Width	Material Thickness	Screw Size	Maximum Allowed Load Faz	Approvals
Reference Letter		D	D	D	G	H	W	DtT	MW	MT	ds	F <sub>a,z</sub>	
Unit description		mm		"		mm	mm	mm	mm	mm		N	
33435014	18009314	10 - 14	DN 8	¼	M8/M10	40	51	23	20	1.00	M5	330	CE, ETA, RAL-GZ 655/B, ITB (KOT), EPD
33435019	18009319	15 - 19	DN 10	¾	M8/M10	45	56	23	20	1.00	M5	330	CE, ETA, RAL-GZ 655/B, ITB (KOT), EPD
33435024	18009324	20 - 24	DN 15	½	M8/M10	51	62	23	20	1.00	M5	330	CE, ETA, RAL-GZ 655/B, ITB (KOT), EPD
33435030	18009330	25 - 30	DN 20	¾	M8/M10	58	69	23	20	1.00	M5	330	CE, ETA, RAL-GZ 655/B, ITB (KOT), EPD
33435037	18009337	31 - 37	DN 25	1	M8/M10	64	75	23	20	1.00	M5	330	CE, ETA, RAL-GZ 655/B, ITB (KOT)
33435046	18009346	38 - 46	DN 32	1¼	M8/M10	74	84	23	20	1.25	M5	500	CE, ETA, RAL-GZ 655/B, ITB (KOT), EPD
33435052	18009352	47 - 52	DN 40	1½	M8/M10	82	93	23	20	1.25	M5	500	CE, ETA, RAL-GZ 655/B, ITB (KOT), EPD
33435061	18009361	53 - 61	DN 50	2	M8/M10	88	99	23	20	1.25	M5	500	CE, ETA, RAL-GZ 655/B, ITB (KOT), EPD
33435067	18009367	62 - 67	-	-	M8/M10	95	106	23	20	1.25	M5	500	CE, ETA, RAL-GZ 655/B, ITB (KOT), EPD
33435074	18009374	68 - 74	-	-	M8/M10	103	118	23	20	1.50	M6	850	CE, ETA, RAL-GZ 655/B, ITB (KOT), EPD
33435081	18009381	75 - 81	DN 65	2½	M8/M10	109	124	23	20	1.50	M6	850	CE, ETA, RAL-GZ 655/B, ITB (KOT), EPD
33435087	18009387	82 - 87	-	-	M8/M10	115	130	23	20	1.50	M6	850	CE, ETA, RAL-GZ 655/B, ITB (KOT), EPD
33435095	18009395	88 - 95	DN 80	3	M8/M10	127	143	26	23	2.00	M6	1,000	CE, ETA, RAL-GZ 655/B, ITB (KOT), EPD
33435103	18009403	96 - 103	-	-	M8/M10	136	153	26	23	2.00	M6	1,000	CE, ETA, RAL-GZ 655/B, ITB (KOT), EPD
33435112	18009412	104 - 112	-	-	M8/M10	142	159	26	23	2.00	M6	1,000	CE, ETA, RAL-GZ 655/B, ITB (KOT), EPD
33435118	18009418	113 - 118	DN 100	4	M8/M10	151	168	26	23	2.00	M6	1,000	CE, ETA, RAL-GZ 655/B, ITB (KOT), EPD
33435127	18009427	119 - 127	-	-	M8/M10	161	178	26	23	2.00	M6	1,000	CE, ETA, RAL-GZ 655/B, ITB (KOT), EPD
33435137	18009437	128 - 137	-	-	M8/M10	168	185	26	23	2.00	M6	1,000	CE, ETA, RAL-GZ 655/B, ITB (KOT), EPD
33435144	18009444	138 - 144	DN 125	5	M8/M10	177	194	26	23	2.00	M6	1,000	CE, ETA, RAL-GZ 655/B, ITB (KOT), EPD
33435153	18009453	145 - 153	-	-	M8/M10	186	203	26	23	2.00	M6	1,000	CE, ETA, RAL-GZ 655/B, ITB (KOT), EPD
33435162	18009462	154 - 162	-	-	M8/M10	194	211	26	23	2.00	M6	1,000	CE, ETA, RAL-GZ 655/B, ITB (KOT), EPD

# Walraven 2S Clamp with Lining (M8/10)

(A05136)

for steel, copper, cast iron and plastic (multilayer) pipe

Product Number	VVS Number	Outside Pipe Diameter	DN	Pipe Diameter Imperial	Connection Thread	Total Height	Total Width	Total Depth	Material Width	Material Thickness	Screw Size	Maximum Allowed Load Faz	Approvals
Reference Letter		D	D	D	G	H	W	DtT	MW	MT	ds	Fa,z	
Unit description		mm		"		mm	mm	mm	mm	mm		N	
33435172	18009472	163 - 172	DN 150	6	M8/M10	210	227	28	25	2.50	M6	2,350	CE, ETA, RAL-GZ 655/B, ITB (KOT), EPD
33435183	18009483	173 - 183	-	-	M8/M10	221	239	28	25	2.50	M6	2,350	CE, ETA, RAL-GZ 655/B, ITB (KOT), EPD
33435194	18009494	184 - 194	-	-	M8/M10	232	249	28	25	2.50	M6	2,350	CE, ETA, RAL-GZ 655/B, ITB (KOT), EPD
33435205	18009505	195 - 205	-	-	M8/M10	243	260	28	25	2.50	M6	2,350	CE, ETA, RAL-GZ 655/B, ITB (KOT), EPD
33435216	18009516	206 - 216	-	-	M8/M10	253	271	28	25	2.50	M6	2,350	CE, ETA, RAL-GZ 655/B, ITB (KOT), EPD
33435225	18009525	217 - 225	DN 200	8	M8/M10	261	279	28	25	2.50	M6	2,350	CE, ETA, RAL-GZ 655/B, ITB (KOT), EPD