

Tumbler holder , wall model - Chrome

SERIES-VARIOUS

83 400 979 Product version from 10/1/2023

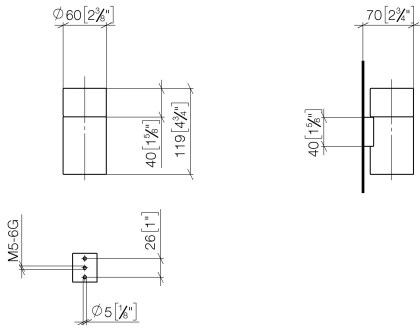


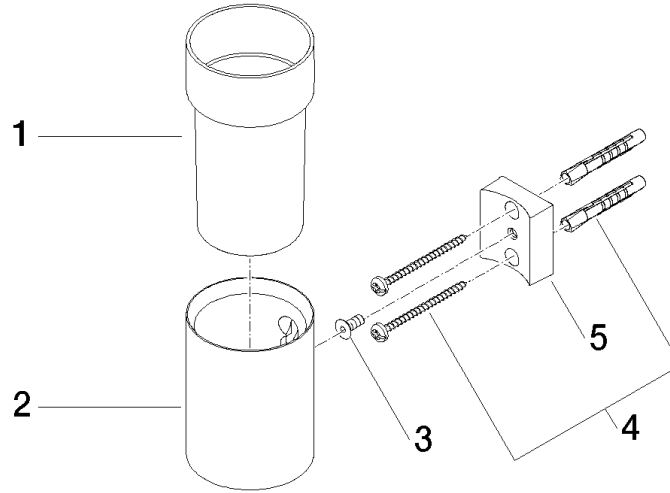
- crystal glass, transparent
- width 60mm
- height 120 mm
- 110mm projection

	Chrome	83 400 979-00
	Brushed Platinum	83 400 979-06
	Platinum	83 400 979-08
	Durabress (23kt Gold)	83 400 979-09
	Dark Chrome	83 400 979-19
	Light Gold (PVD)	83 400 979-26
	Brushed Light Gold (PVD)	83 400 979-27
	Brushed Durabress (23kt Gold)	83 400 979-28
	Matte Black	83 400 979-33
	Brushed Gold (PVD)	83 400 979-37
	Brushed Dark Brass (PVD)	83 400 979-39
	Brushed Bronze (PVD)	83 400 979-42
	Brushed Dark Bronze (PVD)	83 400 979-43
	Brushed Champagne (22kt Gold)	83 400 979-46
	Champagne (22kt Gold)	83 400 979-47
	Brushed Chrome	83 400 979-93
	Brushed Dark Platinum	83 400 979-99

83 400 979 Product version from 10/1/2023

mm [inches]





Spare parts list

No.	Item Number	Name	Quantity used	Delivery time
5	08 10 10 530-00	Holder for glass holder + dispenser 40 x 34 x 15 mm - Chrome	1.00	20
1	90 90 00 008 00 84	Crystal tumbler -	1.00	14
2	08 17 97 569-00	Holder Ø 60 x 80 mm - Chrome	1.00	20
3	09 30 30 117 90	Mounting Countersunk screw with hexagon socket M5 x 12 mm -	1.00	14
4	05 30 31 025 00 90	Mounting Bolt Round head 4,5 x 60 mm -	1.00	14