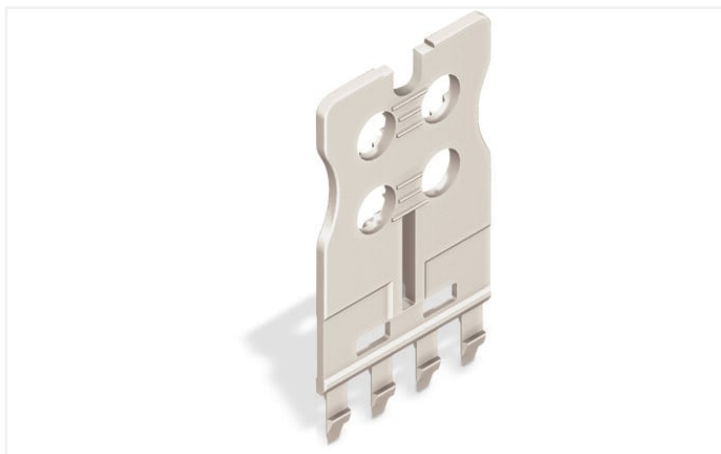


## Data Sheet | Item Number: 2092-1600

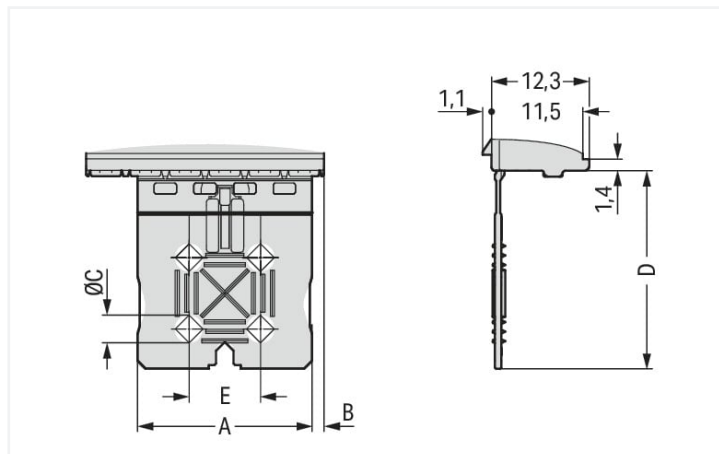
Gripping plate; for female and male connectors; 1 part; Pin spacing 5 mm; 2-pole; light gray

<https://www.wago.com/2092-1600>



Color: ■ light gray

Similar to illustration



Dimensions in mm

L = pole no. x pin spacing  
A = 3.6 mm THT solder pin  
A = 2.4 mm THR solder pin

### Physical data

Pin spacing 5 mm / 0.197 inches

### Material data

Note (material data)

[Information on material specifications can be found here](https://www.wago.com/us/material-specifications)

Color light gray  
Fire load 0.004 MJ  
Weight 0.1 g

### Commercial data

Product Group 26 (picoMAX Connectors)  
eCl@ss 10.0 27-14-11-92  
eCl@ss 9.0 27-14-11-92  
ETIM 8.0 EC002848  
ETIM 7.0 EC002848  
PU (SPU) 100 (25) pcs  
Packaging type Box  
Country of origin DE  
GTIN 4050821164302  
Customs tariff number 85389099990

### Environmental Product Compliance

RoHS Compliance Status

Compliant, No Exemption

### Downloads

#### Environmental Product Compliance

##### Compliance Search

Environmental Product  
Compliance 2092-1600



### Documentation

#### Additional Information

Technical Section

03.04.2019

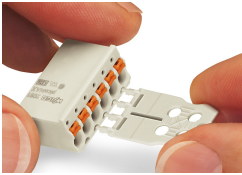
pdf

2010.85 KB



### Installation Notes

#### Strain relief



Gripping plates are suitable for factory and field assembly.