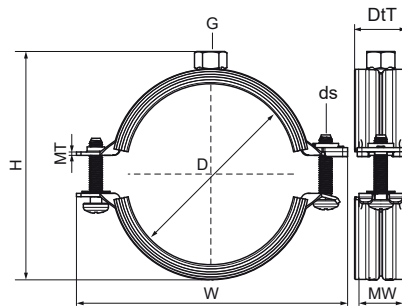


Walraven Bifix® G2 with Lining (M8) (BUP1000)

(A0544)

for steel, copper, cast iron and plastic (multilayer) pipe



Features & benefits

- two-screw clamp
- quick closing mechanism for easy locking of the clamp with one hand
- 2 component rubber lining provides easy positioning of the pipe during installation
- when the clamp is closed, the pipe rests on soft black rubber lining for increased noise reduction
- suitable for steel, copper, cast iron and plastic (multilayer) pipe
- material: steel
- product is part of the Walraven BIS UltraProtect® 1000 system
- suitable for in- and outdoor applications
- stands min. 1,000 hours salt spray test (max. 5% red rust) according to ISO 9227
- temperature resistance from -30 °C to +120 °C
- sound insulating lining according DIN 4109
- noise reduction according to ISO 3822-1 up to 23 dB(A)



| Product Number | Outside Pipe Diameter | DN | Pipe Diameter Imperial | Connection Thread | Total Height | Total Width | Total Depth | Material Width | Material Thickness | Screw Size | Maximum Allowed Load Faz | Approvals |
|------------------|-----------------------|-------|------------------------|-------------------|--------------|-------------|-------------|----------------|--------------------|------------|--------------------------|--|
| Reference Letter | D | D | D | G | H | W | DtT | MW | MT | ds | Fa,z | |
| Unit description | mm | | " | | mm | mm | mm | mm | mm | | N | |
| 31185019 | 15 - 19 | DN 10 | 3/8 | M8 | 38 | 63 | 24 | 20 | 1.25 | M6 | 700 | RAL-GZ 655/B, ITB (KOT), ISO 3822-1, EPD |
| 31185023 | 20 - 23 | DN 15 | 1/2 | M8 | 43 | 68 | 24 | 20 | 1.25 | M6 | 700 | RAL-GZ 655/B, ITB (KOT), ISO 3822-1, EPD |
| 31185028 | 25 - 28 | DN 20 | 3/4 | M8 | 49 | 74 | 24 | 20 | 1.25 | M6 | 700 | RAL-GZ 655/B, ITB (KOT), ISO 3822-1, EPD |
| 31185035 | 31 - 35 | DN 25 | 1 | M8 | 59 | 80 | 24 | 20 | 1.25 | M6 | 700 | RAL-GZ 655/B, ITB (KOT), ISO 3822-1, EPD |
| 31185039 | 36 - 39 | - | - | M8 | 63 | 84 | 24 | 20 | 1.25 | M6 | 700 | RAL-GZ 655/B, ITB (KOT), ISO 3822-1, EPD |
| 31185045 | 40 - 45 | DN 32 | 1 1/4 | M8 | 68 | 91 | 24 | 20 | 1.25 | M6 | 700 | RAL-GZ 655/B, ITB (KOT), ISO 3822-1, EPD |
| 31185052 | 48 - 52 | DN 40 | 1 1/2 | M8 | 76 | 97 | 24 | 20 | 1.25 | M6 | 700 | RAL-GZ 655/B, ITB (KOT), ISO 3822-1, EPD |
| 31185058 | 54 - 58 | - | - | M8 | 86 | 104 | 24 | 20 | 1.25 | M6 | 700 | RAL-GZ 655/B, ITB (KOT), ISO 3822-1, EPD |
| 31185064 | 60 - 64 | DN 50 | 2 | M8 | 93 | 109 | 24 | 20 | 1.25 | M6 | 700 | RAL-GZ 655/B, ITB (KOT), ISO 3822-1, EPD |
| 31185070 | 66 - 70 | - | - | M8 | 99 | 118 | 24 | 20 | 1.50 | M6 | 800 | RAL-GZ 655/B, ITB (KOT), ISO 3822-1, EPD |
| 31185079 | 75 - 76 | DN 65 | 2 1/2 | M8 | 105 | 125 | 24 | 20 | 1.50 | M6 | 800 | RAL-GZ 655/B, ITB (KOT), ISO 3822-1, EPD |
| 31185083 | 80 - 83 | - | - | M8 | 112 | 132 | 24 | 20 | 1.50 | M6 | 800 | RAL-GZ 655/B, ITB (KOT), ISO 3822-1, EPD |
| 31185014 | 10 - 14 | DN 8 | 1/4 | M8 | 34 | 59 | 24 | 20 | 1.25 | M6 | 700 | RAL-GZ 655/B, ITB (KOT), ISO 3822-1, EPD |