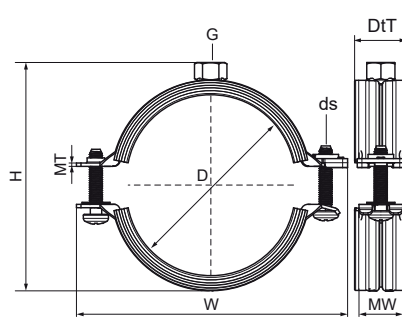


Walraven Bifix® G2 with Lining (M8) (BUP1000)

(A0544)

for steel, copper, cast iron and plastic (multilayer) pipe



Features & benefits

- two-screw clamp
- quick closing mechanism for easy locking of the clamp with one hand
- 2 component rubber lining provides easy positioning of the pipe during installation
- when the clamp is closed, the pipe rests on soft black rubber lining for increased noise reduction
- suitable for steel, copper, cast iron and plastic (multilayer) pipe
- material: steel
- product is part of the Walraven BIS UltraProtect® 1000 system
- suitable for in- and outdoor applications
- stands min. 1,000 hours salt spray test (max. 5% red rust) according to ISO 9227
- temperature resistance from -30 °C to +120 °C
- sound insulating lining according DIN 4109
- noise reduction according to ISO 3822-1 up to 23 dB(A)



Product Number	VVS Number	Outside Pipe Diameter	DN	Pipe Diameter Imperial	Connection Thread	Total Height	Total Width	Total Depth	Material Width	Material Thickness	Screw Size	Maximum Allowed Load Foz	Approvals
Reference Letter		D	D	D	G	H	W	DtT	MW	MT	ds	Fo,z	
Unit description		mm		"		mm	mm	mm	mm	mm		N	
31185019	18034019	15 - 19	DN 10	3/8	M8	38	63	24	20	1.25	M6	700	RAL-GZ 655/B, ITB (KOT), ISO 3822-1, EPD
31185023	18034023	20 - 23	DN 15	1/2	M8	43	68	24	20	1.25	M6	700	RAL-GZ 655/B, ITB (KOT), ISO 3822-1, EPD
31185028	18034028	25 - 28	DN 20	3/4	M8	49	74	24	20	1.25	M6	700	RAL-GZ 655/B, ITB (KOT), ISO 3822-1, EPD
31185035	18034035	31 - 35	DN 25	1	M8	59	80	24	20	1.25	M6	700	RAL-GZ 655/B, ITB (KOT), ISO 3822-1, EPD
31185039	18034039	36 - 39	-	-	M8	63	84	24	20	1.25	M6	700	RAL-GZ 655/B, ITB (KOT), ISO 3822-1, EPD
31185045	18034045	40 - 45	DN 32	1 1/4	M8	68	91	24	20	1.25	M6	700	RAL-GZ 655/B, ITB (KOT), ISO 3822-1, EPD
31185052	18034052	48 - 52	DN 40	1 1/2	M8	76	97	24	20	1.25	M6	700	RAL-GZ 655/B, ITB (KOT), ISO 3822-1, EPD
31185058	18034058	54 - 58	-	-	M8	86	104	24	20	1.25	M6	700	RAL-GZ 655/B, ITB (KOT), ISO 3822-1, EPD
31185064	18034064	60 - 64	DN 50	2	M8	93	109	24	20	1.25	M6	700	RAL-GZ 655/B, ITB (KOT), ISO 3822-1, EPD
31185070	18034070	66 - 70	-	-	M8	99	118	24	20	1.50	M6	800	RAL-GZ 655/B, ITB (KOT), ISO 3822-1, EPD
31185079	18034079	75 - 76	DN 65	2 1/2	M8	105	125	24	20	1.50	M6	800	RAL-GZ 655/B, ITB (KOT), ISO 3822-1, EPD
31185083	18034083	80 - 83	-	-	M8	112	132	24	20	1.50	M6	800	RAL-GZ 655/B, ITB (KOT), ISO 3822-1, EPD
31185014	18034014	10 - 14	DN 8	1/4	M8	34	59	24	20	1.25	M6	700	RAL-GZ 655/B, ITB (KOT), ISO 3822-1, EPD