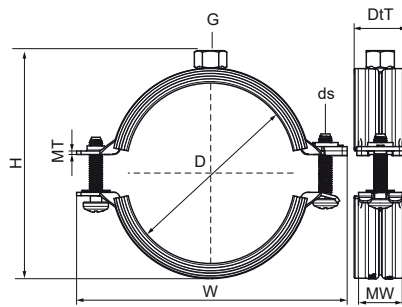


Walraven Bifix® G2 with Lining (M10) (BUP1000)

(A0572)

for steel, copper, cast iron and plastic (multilayer) pipe



Features & benefits

- two-screw clamp
- quick closing mechanism for easy locking of the clamp with one hand
- 2 component rubber lining provides easy positioning of the pipe during installation
- when the clamp is closed, the pipe rests on soft black rubber lining for increased noise reduction
- material: steel
- product is part of the Walraven BIS UltraProtect® 1000 system
- suitable for in- and outdoor applications
- stands min. 1,000 hours salt spray test (max. 5% red rust) according to ISO 9227
- temperature resistance from -30 °C to +120 °C
- sound insulating lining according DIN 4109
- noise reduction according to ISO 3822-1 up to 23 dB(A)



Product Number	NRF Number	Outside Pipe Diameter	DN	Pipe Diameter Imperial	Connection Thread	Total Height	Total Width	Total Depth	Material Width	Material Thickness	Screw Size	Maximum Allowed Load Faz	Approvals
Reference Letter		D	D	D	G	H	W	DIT	MW	MT	ds	Fo,z	
Unit description		mm		"		mm	mm	mm	mm	mm		N	
31285014		10 - 14	DN 8	1/4	M10	34	59	24	20	1.25	M6	800	RAL-GZ 655/B, ITB (KOT), ISO 3822-1, EPD
31285019		15 - 19	DN 10	3/8	M10	38	63	24	20	1.25	M6	800	RAL-GZ 655/B, ITB (KOT), ISO 3822-1, EPD
31285023		20 - 23	DN 15	1/2	M10	43	68	24	20	1.25	M6	800	RAL-GZ 655/B, ITB (KOT), ISO 3822-1, EPD
31285028		25 - 28	DN 20	3/4	M10	49	74	24	20	1.25	M6	800	RAL-GZ 655/B, ITB (KOT), ISO 3822-1, EPD
31285035		31 - 35	DN 25	1	M10	59	80	24	20	1.25	M6	800	RAL-GZ 655/B, ITB (KOT), ISO 3822-1, EPD
31285039		36 - 39	-	-	M10	63	84	24	20	1.25	M6	800	RAL-GZ 655/B, ITB (KOT), ISO 3822-1, EPD
31285045		40 - 45	DN 32	1 1/4	M10	68	91	24	20	1.25	M6	800	RAL-GZ 655/B, ITB (KOT), ISO 3822-1, EPD
31285052		48 - 52	DN 40	1 1/2	M10	76	97	24	20	1.25	M6	800	RAL-GZ 655/B, ITB (KOT), ISO 3822-1, EPD
31285058		54 - 58	-	-	M10	86	104	24	20	1.25	M6	800	RAL-GZ 655/B, ITB (KOT), ISO 3822-1, EPD
31285064		60 - 64	DN 50	2	M10	93	109	24	20	1.25	M6	800	RAL-GZ 655/B, ITB (KOT), ISO 3822-1, EPD
31285070		66 - 70	-	-	M10	99	118	24	20	1.50	M6	1,000	RAL-GZ 655/B, ITB (KOT), ISO 3822-1, EPD
31285079		75 - 79	DN 65	2 1/2	M10	105	125	24	20	1.50	M6	1,000	RAL-GZ 655/B, ITB (KOT), ISO 3822-1, EPD
31285083		80 - 83	-	-	M10	112	132	24	20	1.50	M6	1,000	RAL-GZ 655/B, ITB (KOT), ISO 3822-1, EPD
31285091		88 - 91	DN 80	3	M10	124	142	27	23	2.00	M6	1,800	RAL-GZ 655/B, ITB (KOT), ISO 3822-1, EPD
31285105		100 - 105	-	-	M10	135	155	27	23	2.00	M6	1,800	RAL-GZ 655/B, ITB (KOT), ISO 3822-1, EPD
31285115		108 - 115	DN 100	4	M10	147	164	27	23	2.00	M6	1,800	RAL-GZ 655/B, ITB (KOT), ISO 3822-1, EPD
31285130		125 - 130	-	-	M10	164	181	27	23	2.00	M6	1,800	RAL-GZ 655/B, ITB (KOT), ISO 3822-1, EPD
31285140		133 - 140	DN 125	5	M10	174	191	27	23	2.00	M6	1,800	RAL-GZ 655/B, ITB (KOT), ISO 3822-1, EPD
31285160		152 - 160	-	-	M10	193	211	27	23	2.00	M6	1,800	RAL-GZ 655/B, ITB (KOT), ISO 3822-1, EPD
31285169		165 - 169	DN 150	6	M10	203	225	29	25	2.50	M8	2,500	RAL-GZ 655/B, ITB (KOT), ISO 3822-1, EPD

Walraven Bifix® G2 with Lining (M10) (BUP1000)

(A0572)

for steel, copper, cast iron and plastic (multilayer) pipe

Product Number	NRF Number	Outside Pipe Diameter	DN	Pipe Diameter Imperial	Connection Thread	Total Height	Total Width	Total Depth	Material Width	Material Thickness	Screw Size	Maximum Allowed Load Faz	Approvals
Reference Letter		D	D	D	G	H	W	DtT	MW	MT	ds	Fa,z	
Unit description		mm		"		mm	mm	mm	mm	mm		N	
31285180	3485591	176 - 180	-	-	M10	215	238	29	25	2.50	M8	2,500	RAL-GZ 655/B, ITB (KOT), ISO 3822-1, EPD
31285200	3485592	192 - 200	-	-	M10	233	257	29	25	2.50	M8	2,500	RAL-GZ 655/B, ITB (KOT), ISO 3822-1, EPD
31285210	3485593	205 - 210	-	-	M10	247	269	29	25	2.50	M8	2,500	RAL-GZ 655/B, ITB (KOT), ISO 3822-1, EPD
31285225	3485594	219 - 225	DN 200	8	M10	260	283	29	25	2.50	M8	2,500	RAL-GZ 655/B, ITB (KOT), ISO 3822-1, EPD
31285097		92 - 97	-	-	M10	128	148	27	23	2.00	M6	1,800	RAL-GZ 655/B, ITB (KOT), ISO 3822-1, EPD