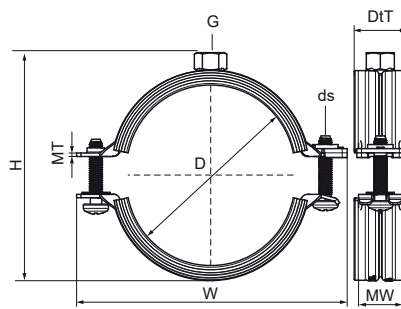


Walraven Bifix® G2 with Lining (M10) (BUP1000)

(A0572)

for steel, copper, cast iron and plastic (multilayer) pipe



Features & benefits

- two-screw clamp
- quick closing mechanism for easy locking of the clamp with one hand
- 2 component rubber lining provides easy positioning of the pipe during installation
- when the clamp is closed, the pipe rests on soft black rubber lining for increased noise reduction
- material: steel
- product is part of the Walraven BIS UltraProtect® 1000 system
- suitable for in- and outdoor applications
- stands min. 1,000 hours salt spray test (max. 5% red rust) according to ISO 9227
- temperature resistance from -30 °C to +120 °C
- sound insulating lining according DIN 4109
- noise reduction according to ISO 3822-1 up to 23 dB(A)



Product Number	Outside Pipe Diameter	DN	Pipe Diameter Imperial	Connection Thread	Total Height	Total Width	Total Depth	Material Width	Material Thickness	Screw Size	Maximum Allowed Load Faz	Approvals
Reference Letter	D	D	D	G	H	W	DtT	MW	MT	ds	F _{0,z}	
Unit description	mm		"		mm	mm	mm	mm	mm		N	
31285014	10 - 14	DN 8	1/4	M10	34	59	24	20	1.25	M6	800	RAL-GZ 655/B, ITB (KOT), ISO 3822-1, EPD
31285019	15 - 19	DN 10	3/8	M10	38	63	24	20	1.25	M6	800	RAL-GZ 655/B, ITB (KOT), ISO 3822-1, EPD
31285023	20 - 23	DN 15	1/2	M10	43	68	24	20	1.25	M6	800	RAL-GZ 655/B, ITB (KOT), ISO 3822-1, EPD
31285028	25 - 28	DN 20	3/4	M10	49	74	24	20	1.25	M6	800	RAL-GZ 655/B, ITB (KOT), ISO 3822-1, EPD
31285035	31 - 35	DN 25	1	M10	59	80	24	20	1.25	M6	800	RAL-GZ 655/B, ITB (KOT), ISO 3822-1, EPD
31285039	36 - 39	-	-	M10	63	84	24	20	1.25	M6	800	RAL-GZ 655/B, ITB (KOT), ISO 3822-1, EPD
31285045	40 - 45	DN 32	1 1/4	M10	68	91	24	20	1.25	M6	800	RAL-GZ 655/B, ITB (KOT), ISO 3822-1, EPD
31285052	48 - 52	DN 40	1 1/2	M10	76	97	24	20	1.25	M6	800	RAL-GZ 655/B, ITB (KOT), ISO 3822-1, EPD
31285058	54 - 58	-	-	M10	86	104	24	20	1.25	M6	800	RAL-GZ 655/B, ITB (KOT), ISO 3822-1, EPD
31285064	60 - 64	DN 50	2	M10	93	109	24	20	1.25	M6	800	RAL-GZ 655/B, ITB (KOT), ISO 3822-1, EPD
31285070	66 - 70	-	-	M10	99	118	24	20	1.50	M6	1,000	RAL-GZ 655/B, ITB (KOT), ISO 3822-1, EPD
31285079	75 - 79	DN 65	2 1/2	M10	105	125	24	20	1.50	M6	1,000	RAL-GZ 655/B, ITB (KOT), ISO 3822-1, EPD
31285083	80 - 83	-	-	M10	112	132	24	20	1.50	M6	1,000	RAL-GZ 655/B, ITB (KOT), ISO 3822-1, EPD
31285091	88 - 91	DN 80	3	M10	124	142	27	23	2.00	M6	1,800	RAL-GZ 655/B, ITB (KOT), ISO 3822-1, EPD
31285105	100 - 105	-	-	M10	135	155	27	23	2.00	M6	1,800	RAL-GZ 655/B, ITB (KOT), ISO 3822-1, EPD
31285115	108 - 115	DN 100	4	M10	147	164	27	23	2.00	M6	1,800	RAL-GZ 655/B, ITB (KOT), ISO 3822-1, EPD
31285130	125 - 130	-	-	M10	164	181	27	23	2.00	M6	1,800	RAL-GZ 655/B, ITB (KOT), ISO 3822-1, EPD
31285140	133 - 140	DN 125	5	M10	174	191	27	23	2.00	M6	1,800	RAL-GZ 655/B, ITB (KOT), ISO 3822-1, EPD
31285160	152 - 160	-	-	M10	193	211	27	23	2.00	M6	1,800	RAL-GZ 655/B, ITB (KOT), ISO 3822-1, EPD
31285169	165 - 169	DN 150	6	M10	203	225	29	25	2.50	M8	2,500	RAL-GZ 655/B, ITB (KOT), ISO 3822-1, EPD

Walraven Bifix® G2 with Lining (M10) (BUP1000)

(A0572)

for steel, copper, cast iron and plastic (multilayer) pipe

Product Number	Outside Pipe Diameter	DN	Pipe Diameter Imperial	Connection Thread	Total Height	Total Width	Total Depth	Material Width	Material Thickness	Screw Size	Maximum Allowed Load Faz	Approvals
Reference Letter	D	D	D	G	H	W	DtT	MW	MT	ds	Fa,z	
Unit description	mm		"		mm	mm	mm	mm	mm		N	
31285180	176 - 180	-	-	M10	215	238	29	25	2.50	M8	2,500	RAL-GZ 655/B, ITB (KOT), ISO 3822-1, EPD
31285200	192 - 200	-	-	M10	233	257	29	25	2.50	M8	2,500	RAL-GZ 655/B, ITB (KOT), ISO 3822-1, EPD
31285210	205 - 210	-	-	M10	247	269	29	25	2.50	M8	2,500	RAL-GZ 655/B, ITB (KOT), ISO 3822-1, EPD
31285225	219 - 225	DN 200	8	M10	260	283	29	25	2.50	M8	2,500	RAL-GZ 655/B, ITB (KOT), ISO 3822-1, EPD
31285097	92 - 97	-	-	M10	128	148	27	23	2.00	M6	1,800	RAL-GZ 655/B, ITB (KOT), ISO 3822-1, EPD