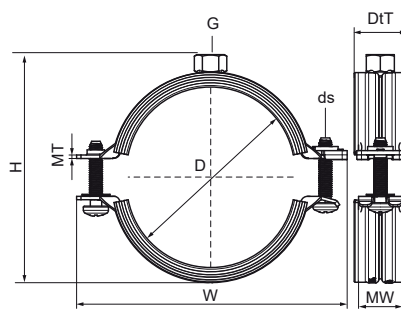


Walraven Bifix® G2 with Lining (M10) (BUP1000)

(A0572)

for steel, copper, cast iron and plastic (multilayer) pipe



Features & benefits

- two-screw clamp
- quick closing mechanism for easy locking of the clamp with one hand
- 2 component rubber lining provides easy positioning of the pipe during installation
- when the clamp is closed, the pipe rests on soft black rubber lining for increased noise reduction
- material: steel
- product is part of the Walraven BIS UltraProtect® 1000 system
- suitable for in- and outdoor applications
- stands min. 1,000 hours salt spray test (max. 5% red rust) according to ISO 9227
- temperature resistance from -30 °C to +120 °C
- sound insulating lining according DIN 4109
- noise reduction according to ISO 3822-1 up to 23 dB(A)



Product Number	VVS Number	Outside Pipe Diameter	DN	Pipe Diameter Imperial	Connection Thread	Total Height	Total Width	Total Depth	Material Width	Material Thickness	Screw Size	Maximum Allowed Load Faz	Approvals
Reference Letter		D	D	D	G	H	W	DiT	MW	MT	ds	Fa,z	
Unit description		mm		"		mm	mm	mm	mm	mm		N	
31285014	18034214	10 - 14	DN 8	1/4	M10	34	59	24	20	1.25	M6	800	RAL-GZ 655/B, ITB (KOT), ISO 3822-1, EPD
31285019	18034219	15 - 19	DN 10	3/8	M10	38	63	24	20	1.25	M6	800	RAL-GZ 655/B, ITB (KOT), ISO 3822-1, EPD
31285023	18034223	20 - 23	DN 15	1/2	M10	43	68	24	20	1.25	M6	800	RAL-GZ 655/B, ITB (KOT), ISO 3822-1, EPD
31285028	18034228	25 - 28	DN 20	3/4	M10	49	74	24	20	1.25	M6	800	RAL-GZ 655/B, ITB (KOT), ISO 3822-1, EPD
31285035	18034235	31 - 35	DN 25	1	M10	59	80	24	20	1.25	M6	800	RAL-GZ 655/B, ITB (KOT), ISO 3822-1, EPD
31285039	18034239	36 - 39	-	-	M10	63	84	24	20	1.25	M6	800	RAL-GZ 655/B, ITB (KOT), ISO 3822-1, EPD
31285045	18034245	40 - 45	DN 32	1 1/4	M10	68	91	24	20	1.25	M6	800	RAL-GZ 655/B, ITB (KOT), ISO 3822-1, EPD
31285052	18034252	48 - 52	DN 40	1 1/2	M10	76	97	24	20	1.25	M6	800	RAL-GZ 655/B, ITB (KOT), ISO 3822-1, EPD
31285058	18034258	54 - 58	-	-	M10	86	104	24	20	1.25	M6	800	RAL-GZ 655/B, ITB (KOT), ISO 3822-1, EPD
31285064	18034264	60 - 64	DN 50	2	M10	93	109	24	20	1.25	M6	800	RAL-GZ 655/B, ITB (KOT), ISO 3822-1, EPD
31285070	18034270	66 - 70	-	-	M10	99	118	24	20	1.50	M6	1,000	RAL-GZ 655/B, ITB (KOT), ISO 3822-1, EPD
31285079	18034279	75 - 79	DN 65	2 1/2	M10	105	125	24	20	1.50	M6	1,000	RAL-GZ 655/B, ITB (KOT), ISO 3822-1, EPD
31285083	18034283	80 - 83	-	-	M10	112	132	24	20	1.50	M6	1,000	RAL-GZ 655/B, ITB (KOT), ISO 3822-1, EPD
31285091	18034291	88 - 91	DN 80	3	M10	124	142	27	23	2.00	M6	1,800	RAL-GZ 655/B, ITB (KOT), ISO 3822-1, EPD
31285105	18034305	100 - 105	-	-	M10	135	155	27	23	2.00	M6	1,800	RAL-GZ 655/B, ITB (KOT), ISO 3822-1, EPD
31285115	18034315	108 - 115	DN 100	4	M10	147	164	27	23	2.00	M6	1,800	RAL-GZ 655/B, ITB (KOT), ISO 3822-1, EPD
31285130	18034330	125 - 130	-	-	M10	164	181	27	23	2.00	M6	1,800	RAL-GZ 655/B, ITB (KOT), ISO 3822-1, EPD
31285140	18034340	133 - 140	DN 125	5	M10	174	191	27	23	2.00	M6	1,800	RAL-GZ 655/B, ITB (KOT), ISO 3822-1, EPD
31285160	18034360	152 - 160	-	-	M10	193	211	27	23	2.00	M6	1,800	RAL-GZ 655/B, ITB (KOT), ISO 3822-1, EPD
31285169	18034369	165 - 169	DN 150	6	M10	203	225	29	25	2.50	M8	2,500	RAL-GZ 655/B, ITB (KOT), ISO 3822-1, EPD

Walraven Bifix® G2 with Lining (M10) (BUP1000)

(A0572)

for steel, copper, cast iron and plastic (multilayer) pipe

Product Number	VVS Number	Outside Pipe Diameter	DN	Pipe Diameter Imperial	Connection Thread	Total Height	Total Width	Total Depth	Material Width	Material Thickness	Screw Size	Maximum Allowed Load Faz	Approvals
<i>Reference Letter</i>		<i>D</i>	<i>D</i>	<i>D</i>	<i>G</i>	<i>H</i>	<i>W</i>	<i>DtT</i>	<i>MW</i>	<i>MT</i>	<i>ds</i>	<i>Fq,z</i>	
<i>Unit description</i>		<i>mm</i>		<i>"</i>		<i>mm</i>	<i>mm</i>	<i>mm</i>	<i>mm</i>	<i>mm</i>		<i>N</i>	
31285180	18034380	176 - 180	-	-	M10	215	238	29	25	2.50	M8	2,500	RAL-GZ 655/B, ITB (KOT), ISO 3822-1, EPD
31285200	18034400	192 - 200	-	-	M10	233	257	29	25	2.50	M8	2,500	RAL-GZ 655/B, ITB (KOT), ISO 3822-1, EPD
31285210	18034410	205 - 210	-	-	M10	247	269	29	25	2.50	M8	2,500	RAL-GZ 655/B, ITB (KOT), ISO 3822-1, EPD
31285225	18034425	219 - 225	DN 200	8	M10	260	283	29	25	2.50	M8	2,500	RAL-GZ 655/B, ITB (KOT), ISO 3822-1, EPD
31285097		92 - 97	-	-	M10	128	148	27	23	2.00	M6	1,800	RAL-GZ 655/B, ITB (KOT), ISO 3822-1, EPD