



Electronic Buzzer EKS/EKSP

Signalling device
for dry and damp rooms

- ▶ Installation in control panels
- ▶ Low current consumption
- ▶ Loud piezosounder
- ▶ Housing of impact-resistant ABS
- ▶ Continuous tone / Pulsating tone

Application

The buzzers EKS and EKSP are installed in control panels in a 28 mm bore. With a volume of approx. 90 dB(A), this versions are suitable as all-purpose signalling devices.

Design

The electronics of the buzzers EKS and EKSP are mounted in an impact-resistant housing of ABS. They are connected with 6.3 x 0.8 mm flat-pin plugs. The tone frequency of the buzzers lies at approx. 2.0 to 2.4 kHz. The signal of the EKS is a continuous tone and that of the EKSP a pulsating tone.

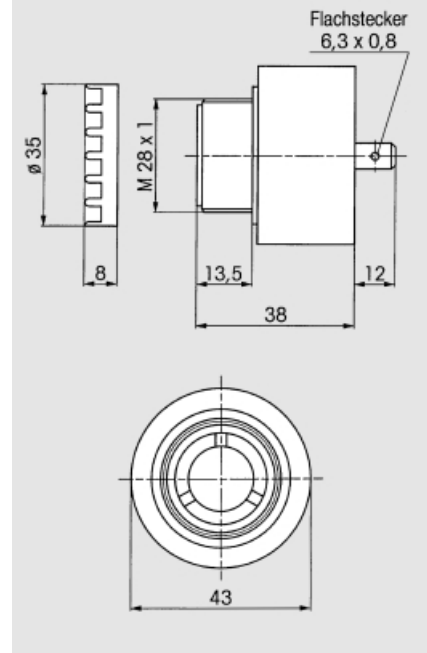
Typical cabinet-front-mounting of EKS in a control-room

The signal of the EKS is a continuous tone and that of the EKSP a pulsating tone.



Technical specifications

Housing	Thermoplastic (ABS)
Colour	grey
Protection degree	IP 30, plug IP 00 (IEC 529)
Connection	Flat-pin plug 6.3 x 0.8 mm
Operating mode	Continuous
Volume	Approx. 90 dB(A), 1 m at rated voltage (Regarding volume specifications, please see the chapter "Technical Informations".)
Signal	Type EKS Continuous tone (2.5 kHz) Type EKSP Pulsating tone (pulse frequency approx. 2 Hz)
Temperature range	-20° C to +70° C
Weight	Approx. 0.055 kg



Order information

Type	Name	Version	Rated voltage V	Oper. volt. range	Curr. consumpt. A	Article no.
EKS	Electronic Buzzer	Continuous tone	24 VAC/DC	4–40	0.030	213 003 01
EKS	Electronic Buzzer	Continuous tone	48 VAC/DC	10–48	0.020	213 003 02
EKS	Electronic Buzzer	Continuous tone	230 VAC	115–250	0.020	213 003 03
EKSP	Electronic Buzzer	Pulsating tone	24 VAC/DC	4–40	0.030	213 004 01
EKSP	Electronic Buzzer	Pulsating tone	48 VAC/DC	10–48	0.020	213 004 02
EKSP	Electronic Buzzer	Pulsating tone	230 VAC	115–250	0.020	213 004 03

Subject to change without notice · Printout 08/07