

Technical data sheet

Roof cable holder for tiled, slated and corrugated roofs,
with cable bracket

Item number: 5202213



- With weather-proof clamping collar from soft-PVC
- Required drill hole-Ø = 16 mm
- Spacer and conductor holder from polyamide, grey

PA Polyamide

Master data

Item number	5202213
Type	133 NB
Description 1	Roof conductor holder
Manufacturer	OBO
Dimension	47mm
Colour	Grey
Material	Polyamide
Smallest sales unit	20
Unit of quantity	Units
Weight	4,338 kg
Weight unit	kg/100 pairs
CO2 Footprint (GWP) Cradle-to-Gate	0,1652 kg CO2e / 1 Piece

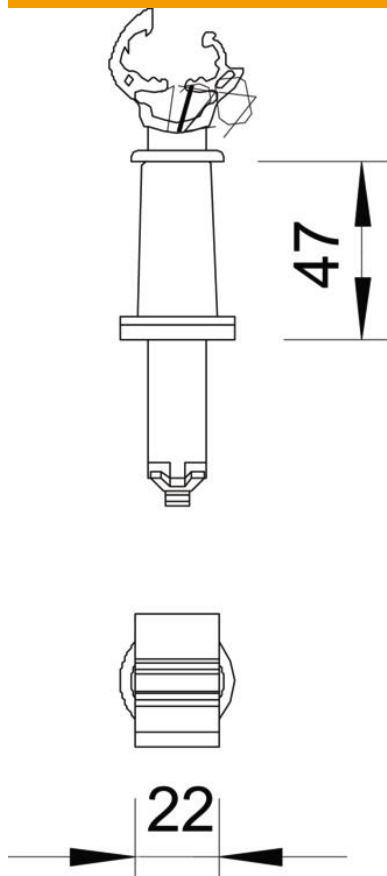
Technical data sheet

Roof cable holder for tiled, slated and corrugated roofs,
with cable bracket

Item number: 5202213



Dimensions



Technical specifications

Application	Corrugated roof
Conductor fastening type	With clamp clip
Conductor diameter, max.	10
Conductor diameter, min.	8
Mounting type	Miscellaneous
Mounting height	67 mm
Fit	Rd 8-10 mm
Material of the holder	Plastic
Material of the support	Plastic