

Features

- Sensor Dim LED exterior surface mounted luminaire, 350mm diameter, 1450lm as max. lumen output, can be adjusted down to 1400lm by internal switch, 14W max. power consumption, 104lm/W efficacy, 3000K color temperature, CRI80, IP66, IK10, 50,000 hours (L70), white housing, vandal resistant. Integrated Microwave occupancy sensor with daylight harvest, dimming and corridor function, supplied with anti-theft screws

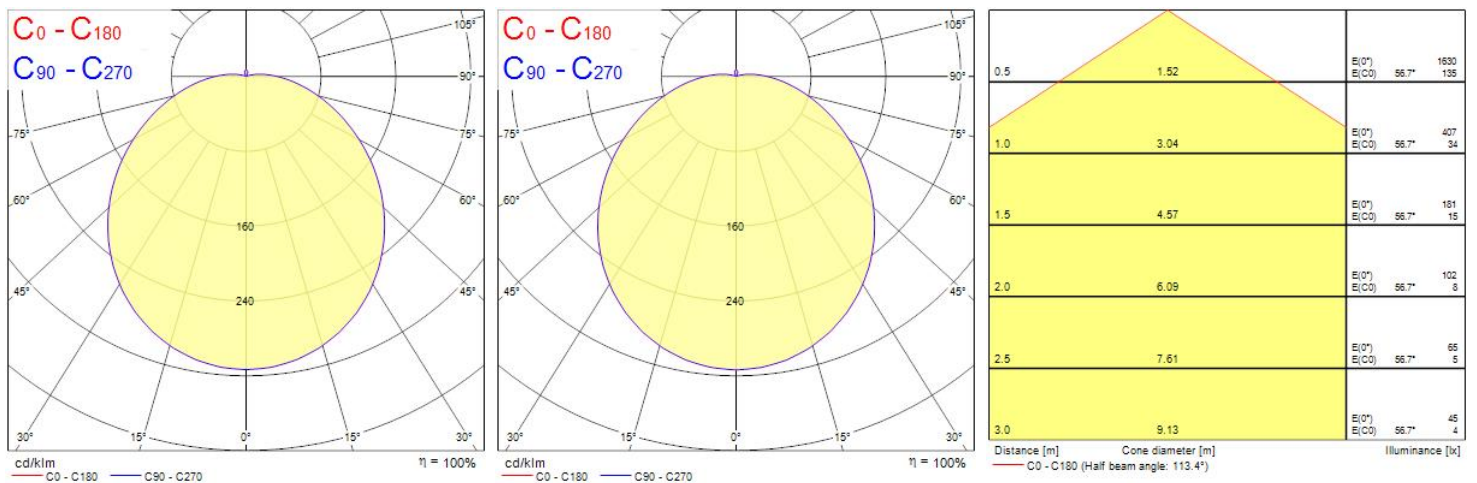
Product Overview

Product name	START SURFACE IP66 1450LM 830 MW SENS IK10 WHT
Technology	LED
Cap/Base	N/A
Housing	PC Polycarbonate
Mount	Ceiling surface mounting
Environment	Indoor, Outdoor
General application	Hospitality
ETIM Class	EC002892
Fixture luminous flux (lm)	1450
Luminaire efficacy (lm/W)	104
LOR (%)	100
Correlated colour temperature (k)	3000
Light colour	Warm White
CRI (Ra)	80
Colour Variation Initial (SDCM)	6
Beam Angle (°)	120
Glare control	< 25
Photobiological Risk Group	RG0
Total power consumption (W)	14

START SURFACE IP66 1450LM 830 MW SENS IK10 WHT 0098598

Electrical protection	Class II
Control gear type	LED driver constant current
Control gear mounting	Integrated
Dimmable	Yes
LED Flickering Rate	Ultra low (5% or less)
Housing colour	RAL9003
IP rating	IP66
IK rating	IK10
Product EAN number	5410288985985
Warranty	5 years
Dimming method	Other
Colour Code	830

Photometry

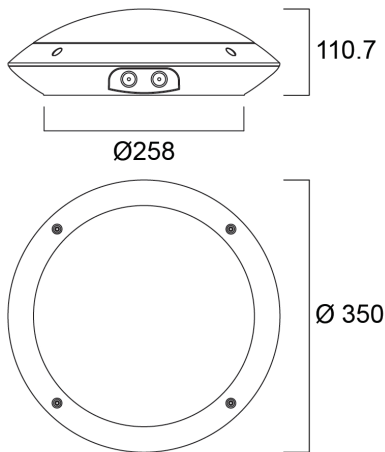


START SURFACE IP66 1450LM 830 MW SENS IK10 WHT 0098598

0.5	1.52	E(0°) E(C0)	56.7°	1882 156
1.0	3.04	E(0°) E(C0)	56.7°	471 39
1.5	4.57	E(0°) E(C0)	56.7°	209 17
2.0	6.09	E(0°) E(C0)	56.7°	118 10
2.5	7.61	E(0°) E(C0)	56.7°	75 6
3.0	9.13	E(0°) E(C0)	56.7°	52 4

Distance [m] Cone diameter [m] Illuminance [lx]
 — C0 - C180 (Half beam angle: 113.4°)

Technical drawings



Data table

GENERAL DATA

Product name	START SURFACE IP66 1450LM 830 MW SENS IK10 WHT
Technology	LED
Cap/Base	N/A

START SURFACE IP66 1450LM 830 MW SENS IK10 WHT 0098598

Housing	PC Polycarbonate
Mount	Ceiling surface mounting
Environment	Indoor, Outdoor
General application	Hospitality
Operating temperature range (°C)	25°C...+25°C
Performance ambient temperature Tq (°C)	25
ETIM Class	EC002892
Warranty	5 years

OPTICAL DATA

Fixture luminous flux (lm)	1450
Luminaire efficacy (lm/W)	104
LOR (%)	100
Correlated colour temperature (k)	3000
Colour Code	830
Light colour	Warm White
CRI (Ra)	80
Colour Variation Initial (SDCM)	6
Adjustable chromaticity	N
Beam Angle (°)	120
Distribution type	Symmetric
Glare control	< 25
Photobiological Risk Group	RG0
Lumen maintenance at end of nominal life (%)	70

ELECTRICAL DATA

Total power consumption (W)	14
Primary Supply/Product voltage - min (V)	220
Primary Supply/Product voltage - max (V)	240
Lamp power factor	1
THD (at 230 V, 50 Hz, full load, at 100% dimming level) ≤ xx.x %	1

START SURFACE IP66 1450LM 830 MW SENS IK10 WHT 0098598

Electrical protection	Class II
Control gear required	No
Control gear type	LED driver constant current
Control gear mounting	Integrated
Dimmable	Yes
Dimming method	Other
Drive current (mA)	350
Inrush Current (A)	45
Inrush Duration (μ s)	32
Energy Efficiency Class (A->G) of contained light source	D
Nominal Frequency (Hz)	50/60Hz
LED Flickering Rate	Ultra low (5% or less)
Max. products per 10A C Breaker	45
Max. products per 13A C Breaker	58
Max. products per 16A C Breaker	72
Max. products per 20A C Breaker	90
Max. products per 10A B Breaker	22
Max. products per 13A B Breaker	35
Max. products per 16A B Breaker	43
Max. products per 20A B Breaker	53
Connectable conductor cross section - Min (mm ²)	0.75
Connectable conductor cross section - Max (mm ²)	2.5

LIFETIME DATA

Lifespan L70 B50	50000
------------------	-------

PHYSICAL DATA

Housing colour	RAL9003
IP rating	IP66
IK rating	IK10
Diffuser finish	Opal

START SURFACE IP66 1450LM 830 MW SENS IK10 WHT 0098598

Diffuser material	PC Polycarbonate
Nominal Product Height (mm)	111
Nominal Product Diameter (mm)	350
Weight (kg)	1.1

PACKAGING

Product EAN number	5410288985985
Packaging single length / height (cm)	40.0
Packaging single width (cm)	40.0
Packaging single depth (cm)	11.0
DUN14 (inner)	05410288985985
Units per outer package	1
Packaging outer length / height (cm)	40.0
Packaging outer width (cm)	40.0
Packaging outer depth (cm)	11.0

SAFETY DATA

Glow Wire Test (°C)	650
Optimal operating condition (°C)	25-25
Special purpose lamp	No
Dry applications use only	No
Suitable for household illumination	No