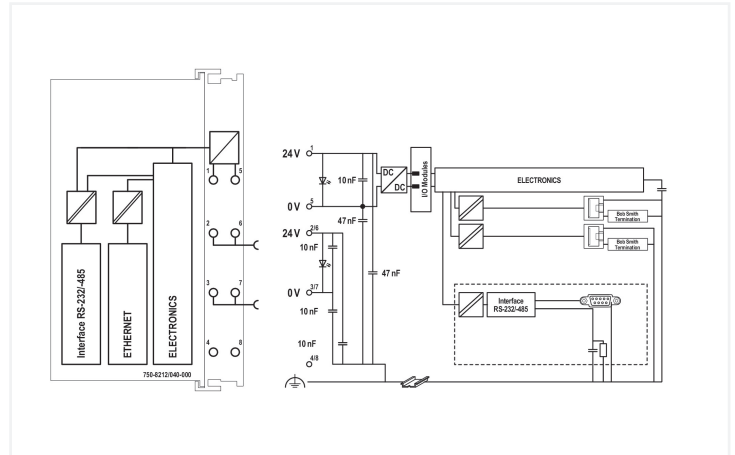


# Data Sheet | Item Number: 750-8212/040-001

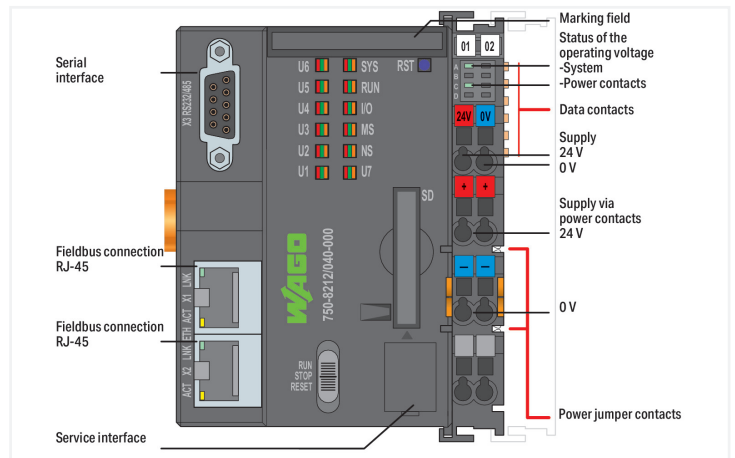
Controller PFC200; 2nd Generation; 2 x ETHERNET, RS-232/-485; Telecontrol technology; Extreme

<https://www.wago.com/750-8212/040-001>



PFC200 XTR Communication Options Overview

Option	Part Number	Function	Notes	Availability
Option 1	750-8212/040-001	Standard configuration		Standard
Option 2	750-8212/040-002	Extended I/O		Standard
Option 3	750-8212/040-003	Specialized I/O		Standard
Option 4	750-8212/040-004	Advanced I/O		Standard
Option 5	750-8212/040-005	High-speed I/O		Standard
Option 6	750-8212/040-006	Specialized I/O		Standard
Option 7	750-8212/040-007	Advanced I/O		Standard
Option 8	750-8212/040-008	High-speed I/O		Standard
Option 9	750-8212/040-009	Specialized I/O		Standard
Option 10	750-8212/040-010	Advanced I/O		Standard
Option 11	750-8212/040-011	High-speed I/O		Standard
Option 12	750-8212/040-012	Specialized I/O		Standard
Option 13	750-8212/040-013	Advanced I/O		Standard
Option 14	750-8212/040-014	High-speed I/O		Standard
Option 15	750-8212/040-015	Specialized I/O		Standard
Option 16	750-8212/040-016	Advanced I/O		Standard
Option 17	750-8212/040-017	High-speed I/O		Standard
Option 18	750-8212/040-018	Specialized I/O		Standard
Option 19	750-8212/040-019	Advanced I/O		Standard
Option 20	750-8212/040-020	High-speed I/O		Standard



The PFC200 Controller is a compact PLC for the modular WAGO I/O System. Besides network and fieldbus interfaces, the controller supports all digital, analog and specialty modules found within the 750/753 Series.

Two ETHERNET interfaces and an integrated switch enable line topology wiring.

An integrated Webservice provides user configuration options, while displaying PFC200 status information.

Besides the processing industry and building automation, typical applications for the PFC200 include standard machinery and equipment control (e.g., packaging, bottling and manufacturing systems, as well as textile, metal and wood processing machines).

Programming per IEC 61131-3

- Programmable with CODESYS V3.5 from Firmware Release 23, WAGO-I/O-PRO V2.3 or **e!COCKPIT** up to Firmware Release 22
- Direct connection of WAGO's I/O modules
- 2 x ETHERNET (configurable), RS-232/-485
- Linux operating system with RT-Preempt patch
- Configuration via CODESYS, **e!COCKPIT** or Web-Based Management user interface
- Maintenance-free

The device is ideal for operation in extreme environments thanks to:

- An extended temperature range
- Greater immunity to impulse voltages and electromagnetic interference
- Higher vibration and shock resistance

Technical data	
Communications	Modbus TCP master/slave Modbus (UDP), WagoAppPlicModbus Library Modbus (RTU), WagoAppPlicModbus Library ETHERNET EtherNet/IP™ Adapter (slave) EtherNet/IP™ Scanner EtherCAT® Master OPC UA Server/Client OPC UA Pub/Sub (can be installed later) MQTT Telecontrol protocols RS-232 serial interface RS-485 interface BACnet/IP, <b>requires an additional license</b>
ETHERNET protocols	DHCP DNS NTP FTP FTPS SNMP HTTP HTTPS SSH
Telecontrol protocols	IEC 60870 IEC 61850 DNP3
Visualization	Web-Visu
Operating system	Real-time Linux (with PREEMPT_RT patch)
CPU	Cortex A8; 1 GHz
Programming languages per IEC 61131-3	Instruction List (IL) Ladder Diagram (LD) Function Block Diagram (FBD) Continuous Function Chart (CFC) Structured Text (ST) Sequential Function Chart (SFC)
Programming environment	CODESYS V3.5, Firmware Release 23 or higher <b>e!</b> COCKPIT (based on CODESYS V3) up to Firmware Release 22 WAGO-I/O-PRO V2.3 (based on CODESYS V2.3), up to Firmware Release 22
Configuration options	CODESYS V3 <b>e!</b> COCKPIT WAGO-I/O-CHECK Web-Based Management <b>e!</b> RUNTIME library CODESYS Library
Transmission rate	ETHERNET: 10/100 Mbit/s
Transmission medium (communication/fieldbus)	ETHERNET: Twisted pair S-UTP; 100 Ω; Cat. 5; 100 m maximum cable length
Main memory (RAM)	512 MB
Internal memory (flash)	4096 MB
Non-volatile hardware memory	128 KB
Program memory	CODESYS V2: 16 MB; CODESYS V3: 32 MB
Data memory	CODESYS V2: 64 MB; CODESYS V3: 128 MB
Non-volatile software memory	128 KB
Non-volatile software memory	128 KB
Type of memory card	SD and SDHC up to 32 GB (all guaranteed properties only valid with WAGO's memory card)
Memory Card Slot	Push-push mechanism; cover lid (sealable)
Number of modules per node (max.)	64
Number of modules without a bus extension (max.)	64
Input and output process image (internal) max.	1000 words/1000 words
Input and output process image (Modbus®) max.	CODESYS V2: 1000 words/1000 words; CODESYS V3: 32000 words/32000 words
Drift – system clock (25 °C)	20 ppm
Drift – Real Time Clock (25 °C)	3 ppm
RTC backup time (25 °C)	15 days
Indicators	LED (SYS, RUN, I/O, U1 ... U7) red/green/orange: Status of system, program, local data bus, status programmable by user (can be used via CODESYS library); LED (A, B) green: Status of system power supply, field supply

### Technical data

Derating	Derating (supply voltage): Ambient temperatures under laboratory conditions: (-25 ... +30 %); for -40 ... +55 °C: 24 V (-25 ... +20 %); for +55 ... +70 °C: 24 V (-25 ... +10 %); Lower limit in all temperature ranges: -27.5 % (including 15 % residual ripple)
Supply voltage (system)	24 VDC; via pluggable connector (CAGE CLAMP® connection); Derating must be observed!
Input current (typ.) at nominal load (24 V)	550 mA
Total current (system supply)	1700 mA
Supply voltage (field)	24 VDC; Power supply via pluggable connector (CAGE CLAMP® connection); Transmission via power jumper contacts; Derating must be observed!
Current carrying capacity (power jumper contacts)	10 A
Number of outgoing power jumper contacts	2
Rated impulse withstand voltage	1 kV

### Connection Data

Connection technology: communication/fieldbus	Modbus (TCP, UDP): 2 x RJ-45; Modbus RTU: 1 x D-sub 9 socket; RS-232 serial interface: 1 x D-sub 9 socket; RS-485 interface: 1 x D-sub 9 socket; Telecontrol protocol IEC 60870-5-101/-103: 1 x D-sub 9 socket; Telecontrol protocol IEC 60870-5-104: 1 x RJ-45; Telecontrol protocol IEC 61850: 1 x RJ-45; Telecontrol protocol DNP3: 1 x RJ-45 or D-sub 9 socket
Connection technology: system supply	2 x CAGE CLAMP®
Connection technology: field supply	4 x CAGE CLAMP®
Connectable conductor materials	Copper
Connection type	System/field supply
Solid conductor	0.25 ... 2.5 mm <sup>2</sup> / 24 ... 14 AWG
Fine-stranded conductor	0.25 ... 2.5 mm <sup>2</sup> / 24 ... 14 AWG
Strip length	8 ... 9 mm / 0.31 ... 0.35 inches
Connection technology: device configuration	1 x Male connector; 4-pole

### Physical data

Width	78.6 mm / 3.094 inches
Height	100 mm / 3.937 inches
Depth	71.9 mm / 2.831 inches
Depth from upper-edge of DIN-rail	64.7 mm / 2.547 inches

### Mechanical data

Mounting type	DIN-35 rail
---------------	-------------

### Material data

Housing material	Polycarbonate; polyamide 6.6
Fire load	2.737 MJ
Weight	212.7 g
Conformity marking	CE

### Environmental requirements

Ambient temperature (operation)	-40 ... +70 °C
Ambient temperature (storage)	-40 ... +85 °C
Ambient temperature (installation)	-20 ... +70 °C
Protection type	IP20
Pollution degree	2 per IEC 61131-2
Operating altitude	without temperature derating: 0 ... 2000 m; with temperature derating: 2000 ... 5000 m (0.5 K/100 m); 5000 m (max.)
Mounting position	Horizontal left, horizontal up, vertical top and vertical bottom
Relative humidity (without condensation)	95 %
Relative humidity (with condensation)	Short-term condensation per Class 3K7/IEC EN 60721-3-3 and E-DIN 40046-721-3 (except for wind-driven precipitation, water and ice formation)
Vibration resistance	According to type test for marine classification (ABS, BV, DNV, IACS, LR): acceleration: 5g, IEC 60068-2-6, EN 60870-2-2, IEC 60721-3-1, -3, EN 50155, EN 61373
Shock resistance	per IEC 60068-2-27 (10g/16 ms/half-sine/1,000 shocks; 25g/6 ms/half-sine/1,000 shocks), EN 50155, EN 61373
EMC immunity to interference	per EN 61000-6-1, -2; EN 61131-2; marine applications; EN 50121-3-2; EN 50121-4, -5; EN 60255-26; EN 60870-2-1; EN 61850-3; IEC 61000-6-5; IEEE 1613; VDEW: 1994
EMC emission of interference	per EN 61000-6-3, -4, EN 61131-2, EN 60255-26, marine applications, EN 60870-2-1, EN 61850-3, EN 50121-3-2, EN 50121-4, -5
Exposure to pollutants	per IEC 60068-2-42 and IEC 60068-2-43
Permissible H <sub>2</sub> S contaminant concentration at a relative humidity 75 %	10 ppm
Permissible SO <sub>2</sub> contaminant concentration at a relative humidity 75 %	25 ppm

### Commercial data

PU (SPU)	1 pcs
Packaging type	Box
Country of origin	DE
GTIN	4066966208320
Customs tariff number	85371091990

### Product Classification

UNSPSC	32151705
ETIM 9.0	EC000236
ETIM 10.0	EC000236
ECCN	NO US CLASSIFICATION

### Environmental Product Compliance

CAS-No.	1303-86-2 1317-36-8 693-98-1 7439-92-1 79-94-7
REACH Candidate List Substance	2,2',6,6'-tetrabromo-4,4'-isopropylidenediphenol 2-methylimidazole Diboron trioxide Lead Lead monoxide Perfluorobutane sulfonic acid (PFBS) and its salts
RoHS Compliance Status	Compliant, With Exemption
RoHS Exemption	6(c) 7(a) 7(c)-I 7(c)-II
SCIP notification number (Austria)	06ab47dc-2f4f-4356-9094-9653b59b105e
SCIP notification number (Belgium)	309d70b5-2953-4af3-811b-fbfb40d4ed56
SCIP notification number (Bulgaria)	7094c538-b37b-41e3-905f-d9a03e1516f6
SCIP notification number (Czech Republic)	77380389-b037-4140-bd62-59b5d189fa33
SCIP notification number (Denmark)	d658af31-1775-42d5-bb4c-9a40b215c891

**Environmental Product Compliance**

SCIP notification number (Finland)	83289b0f-fa7a-4d00-a26b-251347da81d9
SCIP notification number (France)	dee2b83c-753a-479d-874c-ad85c8a95fc2
SCIP notification number (Germany)	47f891a8-c6f4-4cb4-ad26-ff21d802f01a
SCIP notification number (Hungary)	e25c3901-354e-495d-9a44-ef3ade83806f
SCIP notification number (Italy)	19370aa9-0f55-40ae-bc92-2aa4aae700da
SCIP notification number (Netherlands)	369c080f-0b71-4469-a3b4-1dcda771dd3d
SCIP notification number (Poland)	df55abcf-6ed0-477f-831b-6ba1bcab2121
SCIP notification number (Romania)	b36c37cf-9886-4bce-b9fe-ffef7d3ed898
SCIP notification number (Sweden)	152b9b66-6890-4b31-ade5-e0e71f725844

**Approvals / Certificates**

General approvals			Declarations of conformity and manufacturer's declarations		
Approval	Standard	Certificate Name	Approval	Standard	Certificate Name
EAC GZO Almaty Standart	TP TC 020/2011	EAC CoC 03083	EU-Declaration of Confor- mity WAGO GmbH & Co. KG	-	-
UL Underwriters Laboratories Inc. (ORDINARY LOCATI- ONS)	-	E175199	UK-Declaration of Confor- mity WAGO GmbH & Co. KG	-	-

**Approvals for marine applications**

Approval	Standard	Certificate Name
 DNV DNV GL SE	-	TAA00000Y7
PRS Polski Rejestr Statków	-	TE/1099/880590/23

**Approvals for hazardous areas**

Approval	Standard	Certificate Name
 ATEX TUEV Nord Cert GmbH	EN 60079-0	TUEV 17 ATEX 193969X (II 3 G Ex ec IIC T4 Gc)
CCC CNEX	CNCA-C23-01	2020312310000214 (Ex ec IIC T4 Gc)
IECEx TUEV Nord Cert GmbH	IEC 60079-0	IECEx TUN 16.0046X (Ex ec IIC T4 Gc)
UKEx WAGO GmbH & Co. KG	EN 60079-0	UKCA_WA GO22UKEX005X_ec
UL Underwriters Laboratories Inc. (HAZARDOUS LOCA- TIONS)	UL 121201	E198726

**Downloads**

Environmental Product Compliance	
Compliance Search	
Environmental Product Compliance 750-8212/040-001	↓



**Documentation**

Manual			
Product Manual Controller PFC200; 2nd Generation; 2 x ETHER-NET, RS-232/-485	V 1.0.0 23.02.2022	pdf 7778.69 KB	<a href="#">↓</a>

System Description			
Controller PFC200 XTR, General Product Information		pdf 489.22 KB	<a href="#">↓</a>

Bid Text			
750-8212/040-001		docx 35.69 KB	<a href="#">↓</a>
750-8212/040-001		xml 11.52 KB	<a href="#">↓</a>

Instruction Leaflet			
CCC Ex (Additional information)	26.04.2023	pdf 144.58 KB	<a href="#">↓</a>

**Application Notes**

Application Note e!COCKPIT			
e!COCKPIT Application Note Application Weather Station	2021-11-08 06.12.2021	pdf 920.20 KB	<a href="#">↓</a>
eCOCKPIT Application Note WagoAppMP_Bus	1.0.2 06.12.2021	pdf 625.92 KB	<a href="#">↓</a>
eCOCKPIT Application Note WagoAppEnOcean	1.0.3 31.01.2023	pdf 804.01 KB	<a href="#">↓</a>
eCOCKPIT application note WagoSolElsner	1.0.2 06.12.2021	pdf 512.20 KB	<a href="#">↓</a>
eCOCKPIT Application Note WagoAppM_Bus	1.0.5 18.01.2022	pdf 1395.44 KB	<a href="#">↓</a>
e!COCKPIT application note WagoAppDALI	2021-11-08 08.11.2021	pdf 2216.90 KB	<a href="#">↓</a>
eCOCKPIT application note WagoAppBuilding	1.0.2 06.12.2021	pdf 1152.22 KB	<a href="#">↓</a>
eCOCKPIT Application Note WagoAppSML	2023-01-10 17.01.2023	zip 3598.46 KB	<a href="#">↓</a>
eCOCKPIT Application Note WagoAppDatalogger	1.0.3 06.12.2021	pdf 1353.81 KB	<a href="#">↓</a>
e!COCKPIT application note WagoSolHKW	1.0.2 06.12.2021	pdf 611.79 KB	<a href="#">↓</a>
eCOCKPIT Application Note WagoAppKNX	1.0.3 06.12.2021	pdf 1109.70 KB	<a href="#">↓</a>
eCOCKPIT Application Note WagoAppScheduler	2021-11-08 06.12.2021	pdf 964.05 KB	<a href="#">↓</a>
eCOCKPIT Application Note WagoAppDMX	1.0.3 06.12.2021	pdf 749.91 KB	<a href="#">↓</a>
e!COCKPIT Application Note HVAC macros	2021-12-06 06.12.2021	zip 10154.49 KB	<a href="#">↓</a>
e!COCKPIT Application Note WagoAppControlSuite	1.0.2 06.12.2021	pdf 831.57 KB	<a href="#">↓</a>
e!COCKPIT Application Note Mobotix	1.0.1 17.01.2022	pdf 2186.52 KB	<a href="#">↓</a>
SNMP Communication (a500850)	1.1.0 20.02.2020	zip 3743.05 KB	<a href="#">↓</a>

Application Note e!COCKPIT			
e!COCKPIT Application Note WagoSolEAP (a2019006)	2021-11-08 06.12.2021	pdf 659.32 KB	<a href="#">↓</a>
e!COCKPIT Application Note WagoAppIOLink (a2019002)	2021-11-08 06.12.2021	pdf 569.23 KB	<a href="#">↓</a>
e!COCKPIT Application Note WagoAppFuse (a2019001)	2021-11-08 06.12.2021	pdf 548.17 KB	<a href="#">↓</a>
e!COCKPIT application note WagoAppJSON (a2019003)	2021-11-08 06.12.2021	pdf 516.17 KB	<a href="#">↓</a>
e!COCKPIT Application Note WagoAppPower-Measurement	2021-11-08 06.12.2021	pdf 930.71 KB	<a href="#">↓</a>
e!COCKPIT Application Note WagoSysDynamicIcloMapping (a2019013)	1.0.2 06.12.2021	pdf 1631.42 KB	<a href="#">↓</a>
e!COCKPIT Application Note WagoAppPower-Supply (a2019012)	1.1.1 06.12.2021	pdf 707.04 KB	<a href="#">↓</a>
e!COCKPIT Application Note WagoAppSolenoid	1.0.1 06.12.2021	pdf 555.15 KB	<a href="#">↓</a>
e!COCKPIT Application Note WagoAppStepper	1.0.1 06.12.2021	pdf 3306.34 KB	<a href="#">↓</a>
e!COCKPIT AppNote GENIbus (a2021003)	1.0.1 06.12.2021	pdf 755.13 KB	<a href="#">↓</a>
CODESYS 3 Anwendungshinweis WAGO Solution Builder (a2021012)	2021-12-06 06.12.2021	zip 2678.00 KB	<a href="#">↓</a>
CODESYS 3 Anwendungshinweis Thies Wettersensoren (a2021014)	2021-12-06 06.12.2021	zip 924.51 KB	<a href="#">↓</a>
CODESYS 3 Anwendungshinweis HLK BACnet Makros (a2021010)	1.3.0 27.02.2023	zip 67588.63 KB	<a href="#">↓</a>
e!COCKPIT Application Note OPC UA Client (a2022001)	1.0.0 05.04.2022	zip 1336.65 KB	<a href="#">↓</a>

Application note, other			
Application Note WAGOUpload Packages (a2020007)	1.0.3 19.07.2024	zip 94031.91 KB	<a href="#">↓</a>

## CAD/CAE-Data

CAD data			
2D/3D Models 750-8212/040-001			<a href="#">↓</a>

## Engineering-Software

Configuration and Commissioning Software			
CODESYS V3.5		png 315.13 KB	<a href="#">↓</a>
WAGO-IO-PRO Demo-Version (759-912) / Serie 750, 758 und 762	V 2.3.9.68 17.02.2022	zip 122524.17 KB	<a href="#">↓</a>
(759-316) WAGO Ethernet Settings / Serie 750	06.18.01.01 02.09.2021	zip 26678.54 KB	<a href="#">↓</a>
WAGOupload	1.16.1.0 02.02.2022	zip 12111.45 KB	<a href="#">↓</a>

## Runtime Software

Firmware			
Image Update (SD Karte) PFC100/200 für Codesys V2.3 u. Elcockpit	V 22 SP1 12.12.2022	zip 205815.20 KB	<a href="#">↓</a>
PFC200, Firmware Update für CoDeSys V3.5	V 23 24.02.2023	zip 167985.38 KB	<a href="#">↓</a>
WUP Update (WAGOuploadTool) PFC100/200 Codesys V2.3 u. Elcockpit	V 22 SP1 12.12.2022	zip 203580.70 KB	<a href="#">↓</a>

## 1 Compatible Products

### 1.1 Product Expansions

#### 1.1.1 Runtime software



**Item No.: 2759-2283/211-1000**  
Runtime; BACnet; 300; M; Single License; Online activation

**Item No.: 2759-2273/211-1000**  
Runtime; BACnet; 300; S; Single License; Online activation

**Item No.: 2759-283/211-1000**  
Runtime; BACnet; 300; Single License; Online activation

**Item No.: 2759-248/211-1000**  
Runtime; Multi Cloud Connectivity; Single License; Online activation



**Item No.: 2759-247/211-1000**  
Runtime; Sparkplug; Single License; Online activation

## 1.2 Optional Accessories

### 1.2.1 Cables and connectors

#### 1.2.1.1 Connector plug



**Item No.: 750-979/000-011**

Connector ETHERNET; RJ-45; Cat. 6A; angled; Code T568A; AWG 22; Strain relief



**Item No.: 750-979/000-021**

Connector ETHERNET; RJ-45; Cat. 6A; angled; Code T568A; AWG 24; Strain relief



**Item No.: 750-979/000-012**

Connector ETHERNET; RJ-45; Cat. 6A; angled; Code T568B; AWG 22; Strain relief



**Item No.: 750-979/000-022**

Connector ETHERNET; RJ-45; Cat. 6A; angled; Code T568B; AWG 24; Strain relief



**Item No.: 750-977/000-011**

Connector ETHERNET; RJ-45; Cat. 6A; straight; Code T568A; AWG 22



**Item No.: 750-978/000-011**

Connector ETHERNET; RJ-45; Cat. 6A; straight; Code T568A; AWG 22; Strain relief



**Item No.: 750-977/000-021**

Connector ETHERNET; RJ-45; Cat. 6A; straight; Code T568A; AWG 24



**Item No.: 750-978/000-021**

Connector ETHERNET; RJ-45; Cat. 6A; straight; Code T568A; AWG 24; Strain relief



**Item No.: 750-977/000-012**

Connector ETHERNET; RJ-45; Cat. 6A; straight; Code T568B; AWG 22



**Item No.: 750-978/000-012**

Connector ETHERNET; RJ-45; Cat. 6A; straight; Code T568B; AWG 22; Strain relief



**Item No.: 750-977/000-022**

Connector ETHERNET; RJ-45; Cat. 6A; straight; Code T568B; AWG 24



**Item No.: 750-978/000-022**

Connector ETHERNET; RJ-45; Cat. 6A; straight; Code T568B; AWG 24; Strain relief



**Item No.: 750-975**

ETHERNET RJ-45 connector, IP20; ETHERNET 10/100 Mbit/s; for field assembly

### 1.2.2 Communication

#### 1.2.2.1 Communication cable



**Item No.: 750-923/000-001**

Configuration cable; USB connector; Length: 5 m

### 1.2.3 DIN-rail

#### 1.2.3.1 Mounting accessories



**Item No.: 210-197**

Steel carrier rail; 35 x 15 mm; 1.5 mm thick; 2 m long; slotted; similar to EN 60715; silver-colored



**Item No.: 210-114**

Steel carrier rail; 35 x 15 mm; 1.5 mm thick; 2 m long; unslotted; similar to EN 60715; silver-colored



**Item No.: 210-118**

Steel carrier rail; 35 x 15 mm; 2.3 mm thick; 2 m long; unslotted; according to EN 60715; silver-colored



**Item No.: 210-113**

Steel carrier rail; 35 x 7.5 mm; 1 mm thick; 2 m long; unslotted; according to EN 60715; silver-colored

## 1.2.4 Marking

### 1.2.4.1 Group marker carrier



**Item No.: 750-107**  
Group marker carrier

### 1.2.4.2 Marker

**Item No.: 2009-145/000-006**  
Mini-WSB Inline; for Smart Printer; 1700 pieces on roll; stretchable 5 - 5.2 mm; plain; snap-on type; blue

**Item No.: 2009-145/000-007**  
Mini-WSB Inline; for Smart Printer; 1700 pieces on roll; stretchable 5 - 5.2 mm; plain; snap-on type; gray

**Item No.: 2009-145/000-023**  
Mini-WSB Inline; for Smart Printer; 1700 pieces on roll; stretchable 5 - 5.2 mm; plain; snap-on type; green

**Item No.: 2009-145/000-012**  
Mini-WSB Inline; for Smart Printer; 1700 pieces on roll; stretchable 5 - 5.2 mm; plain; snap-on type; orange

**Item No.: 2009-145/000-005**  
Mini-WSB Inline; for Smart Printer; 1700 pieces on roll; stretchable 5 - 5.2 mm; plain; snap-on type; red

**Item No.: 2009-145/000-024**  
Mini-WSB Inline; for Smart Printer; 1700 pieces on roll; stretchable 5 - 5.2 mm; plain; snap-on type; violet

**Item No.: 2009-145**  
Mini-WSB Inline; for Smart Printer; 1700 pieces on roll; stretchable 5 - 5.2 mm; plain; snap-on type; white

**Item No.: 2009-145/000-002**  
Mini-WSB Inline; for Smart Printer; 1700 pieces on roll; stretchable 5 - 5.2 mm; plain; snap-on type; yellow



**Item No.: 248-501/000-006**  
Mini-WSB marking card; as card; not stretchable; plain; snap-on type; blue

**Item No.: 248-501/000-007**  
Mini-WSB marking card; as card; not stretchable; plain; snap-on type; gray

**Item No.: 248-501/000-023**  
Mini-WSB marking card; as card; not stretchable; plain; snap-on type; green

**Item No.: 248-501/000-017**  
Mini-WSB marking card; as card; not stretchable; plain; snap-on type; light green



**Item No.: 248-501/000-012**  
Mini-WSB marking card; as card; not stretchable; plain; snap-on type; orange

**Item No.: 248-501/000-005**  
Mini-WSB marking card; as card; not stretchable; plain; snap-on type; red

**Item No.: 248-501/000-024**  
Mini-WSB marking card; as card; not stretchable; plain; snap-on type; violet

**Item No.: 248-501**  
Mini-WSB marking card; as card; not stretchable; plain; snap-on type; white



**Item No.: 248-501/000-002**  
Mini-WSB marking card; as card; not stretchable; plain; snap-on type; yellow



### 1.2.4.3 Marker carrier



**Item No.: 750-103**  
Group marker carrier

## 1.2.5 Memory card

### 1.2.5.1 Memory card



**Item No.: 758-879/000-2108**  
Memory Card SD; pSLC-NAND; 8 GB; Temperature range: -40 to 90°C

**Item No.: 758-879/000-001**  
Memory Card SD; SLC-NAND; 2 GByte; Temperature from -40 to 90 °C

1.2.6 Shield termination

1.2.6.1 Shield clamping saddles



**Item No.: 790-108**  
Shield clamping saddle; 11 mm wide; diameter of compatible conductor; 3 ... 8 mm



**Item No.: 790-208**  
Shield clamping saddle; 12.4 mm wide; 3 ... 8 mm



**Item No.: 790-116**  
Shield clamping saddle; 19 mm wide; diameter of compatible conductor; 7 ... 16 mm



**Item No.: 790-216**  
Shield clamping saddle; 21.8 mm wide; 6 ... 16 mm



**Item No.: 790-124**  
Shield clamping saddle; 27 mm wide; diameter of compatible conductor; 6 ... 24 mm



**Item No.: 790-220**  
Shield clamping saddle; 30 mm wide; 6 ... 20 mm



**Item No.: 790-140**  
Shield clamping saddle; diameter of compatible conductor

1.2.7 Software

1.2.7.1 Software Application



**Item No.: 2759-206/261-1000**  
Application Energy Data Management; Single License; Online activation



**Item No.: 2759-2110/261-1000**  
Application flexROOM; Single License; Online activation



**Item No.: 2759-2015/261-1000**  
Application Grid Gateway; Single License; Online activation



**Item No.: 2759-204/261-1000**  
Application Lighting Management; Single License; Online activation



**Item No.: 2759-241/261-1000**  
Application Weather Station; Single License; Online activation



**Item No.: 2759-245/211-1000**  
Library Controller Redundancy Master; Single License; Online activation



**Item No.: 2759-203/211-1000**  
Library Power Plant Control; VDE-AR-N 4110 / 4120; unlimited; Single License; Online activation



**Item No.: 2759-207/271-1000**  
Visualization Energy Data Management; Single License; Online activation



**Item No.: 2759-2103/271-1000**  
Visualization Lighting Management; L; Single License; Online activation



**Item No.: 2759-2102/271-1000**  
Visualization Lighting Management; M; Single License; Online activation



**Item No.: 2759-2101/271-1000**  
Visualization Lighting Management; S; Single License; Online activation

1.2.8 System enclosure

1.2.8.1 System enclosure



**Item No.: 850-825**  
IP65 enclosure; Aluminium (RAL 7032); WxHxD (160x100x160 mm); 9 x M12, 4 x M20



**Item No.: 850-826**  
IP65 enclosure; Aluminium (RAL 7032); WxHxD (240x100x160 mm); 4 x M20, 4 x M16, 14 x M12 cable grip



**Item No.: 850-827**  
IP65 enclosure; Aluminium (RAL 7032); WxHxD (320x100x160 mm); 4 x M20, 8 x M16, 17 x M12 cable grip



**Item No.: 850-828**  
IP65 enclosure; Aluminium (RAL 7032); WxHxD (480x100x160 mm); 4 x M20, 10 x M16, 35 x M12 cable grip



**Item No.: 850-826/002-000**  
IP65 enclosure; Aluminium (RAL 7035); WxHxD (240x100x160 mm); 4 x M20, 4 x M16, 14 x M12 cable grip



**Item No.: 850-827/002-000**  
IP65 enclosure; Aluminium (RAL 7035); WxHxD (320x100x160 mm); 4 x M20, 8 x M16, 17 x M12 cable grip



**Item No.: 850-828/002-000**  
IP65 enclosure; Aluminium (RAL 7035); WxHxD (480x100x160 mm); 4 x M20, 10 x M16, 35 x M12 cable grip



**Item No.: 850-834**  
IP65 enclosure; Polyester (RAL 7032); WxHxD (164x100x164 mm); 9 x M12, 4 x M20



**Item No.: 850-835**  
IP65 enclosure; Polyester (RAL 7032); WxHxD (244x100x164 mm); 4 x M20, 4 x M16, 14 x M12 cable grip



**Item No.: 850-836**  
IP65 enclosure; Polyester (RAL 7032); WxHxD (324x100x164 mm); 4 x M20, 8 x M16, 17 x M12 cable grip



**Item No.: 850-814/002-000**  
IP65 enclosure; Sheet steel (RAL 7035); WxHxD (200x120x200 mm); without flange plate



**Item No.: 850-815/002-000**  
IP65 enclosure; Sheet steel (RAL 7035); WxHxD (300x120x200 mm); without flange plate



**Item No.: 850-816/002-000**  
IP65 enclosure; Sheet steel (RAL 7035); WxHxD (400x120x200 mm); without flange plate



**Item No.: 850-817/002-000**  
IP65 enclosure; Sheet steel (RAL 7035); WxHxD (600x120x200 mm); without flange plate

Subject to changes. Please also observe the further product documentation!

---

Current addresses can be found at: [www.wago.com](http://www.wago.com)