

# Square D™ Safety Switch User Manual



## Square D™ Manual del usuario del interruptor de seguridad

## Manuel de l'utilisateur des interrupteurs de sécurité Square D™

### Instruction Bulletin / Boletín de instrucciones / Directives d'utilisation

GEX75737, Rev. 01  
09/2024

Retain for future use. / Conservar para uso futuro. / À conserver pour usage ultérieur.





# Square D™ Safety Switch User Manual

## Instruction Bulletin

GEX75737, Rev. 01  
Release date 09/24



# Legal Information

The information provided in this document contains general descriptions, technical characteristics and/or recommendations related to products/solutions.

This document is not intended as a substitute for a detailed study or operational and site-specific development or schematic plan. It is not to be used for determining suitability or reliability of the products/solutions for specific user applications. It is the duty of any such user to perform or have any professional expert of its choice (integrator, specifier or the like) perform the appropriate and comprehensive risk analysis, evaluation and testing of the products/solutions with respect to the relevant specific application or use thereof.

The Schneider Electric brand and any trademarks of Schneider Electric SE and its subsidiaries referred to in this document are the property of Schneider Electric SE or its subsidiaries. All other brands may be trademarks of their respective owner.

This document and its content are protected under applicable copyright laws and provided for informative use only. No part of this document may be reproduced or transmitted in any form or by any means (electronic, mechanical, photocopying, recording, or otherwise), for any purpose, without the prior written permission of Schneider Electric.

Schneider Electric does not grant any right or license for commercial use of the document or its content, except for a non-exclusive and personal license to consult it on an "as is" basis.

Schneider Electric reserves the right to make changes or updates with respect to or in the content of this document or the format thereof, at any time without notice.

**To the extent permitted by applicable law, no responsibility or liability is assumed by Schneider Electric and its subsidiaries for any errors or omissions in the informational content of this document, as well as any non-intended use or misuse of the content thereof.**

---

# Table of Contents

Safety Information .....	5
Please Note .....	5
Shipping and Storage Requirements .....	6
Installation and Operation Requirements .....	7
Proposition 65 Information .....	7
Exposure to Moisture, Chemicals, and Condensation .....	8
Installation .....	9
Mounting .....	9
Seismic Certifications .....	10
Removal of Knock Outs .....	14
Enclosure Ratings .....	15
Fusible Safety Switches .....	16
Class R Rejection Clip Kits .....	18
Moving the Load Base Assembly .....	18
Non-Fusible Safety Switch Short Circuit Current Rating .....	19
Ground Kits .....	20
Insulated Neutral Assemblies .....	21
Line Side Barriers .....	22
Service Entry Requirements .....	23
Maintenance .....	24
Wiring Diagrams .....	27
Replacing the Viewing Window 30–200 A .....	30



# Safety Information

Read these instructions carefully and examine the equipment to become familiar with the device before attempting to install, operate, service, or maintain it. The following special messages may appear throughout this user guide or on the equipment to warn of hazards or to call attention to information that clarifies or simplifies a procedure.



The addition of either symbol to a “Danger” or “Warning” safety label indicates that an electrical hazard exists which will result in personal injury if the instructions are not followed.



This is the safety alert symbol. It is used to alert you to personal injury hazards. Obey all safety messages that follow this symbol to avoid possible injury or death.

<b>⚠ ⚠ DANGER</b>
<b>DANGER</b> indicates a hazardous situation which, if not avoided, <b>will result in death or serious injury</b> .

<b>⚠ WARNING</b>
<b>WARNING</b> indicates a hazardous situation which, if not avoided, <b>could result in death or serious injury</b> .

<b>⚠ CAUTION</b>
<b>CAUTION</b> indicates a hazardous situation which, if not avoided, <b>could result in minor or moderate injury</b> .

<b>NOTICE</b>
<b>NOTICE</b> is used to address practices not related to physical injury.

**NOTE:** Provides additional information to clarify or simplify a procedure.

## Please Note

Electrical equipment should be installed, operated, serviced, and maintained only by qualified personnel. No responsibility is assumed by Schneider Electric for any consequences arising out of the use of this material.

A qualified person is one who has skills and knowledge related to the construction, installation, and operation of electrical equipment and has received safety training to recognize and avoid the hazards involved.

Electrical equipment should be transported, stored, installed, and operated only in the environment for which it is designed.

## Shipping and Storage Requirements

This equipment does not achieve its ratings until it is installed per record/as-built drawings, installed per the instructions contained in this document, and has operational environmental controls with appropriate settings to help mitigate environmental influences. This equipment can also be stored in a climate controlled area that uses both heating and cooling to maintain acceptable environmental conditions. Indoor and outdoor rated equipment is not suitable for outdoor storage.

- The equipment should be treated as if it is in storage until it is installed and operational. The storage area should be clean, dry (75% or less relative humidity), and climate controlled with proper ventilation.
- To keep the equipment dry, the use of heaters is required in some cases (for example, during seasonal or low periods of electrical loading and equipment de-energization).
  - Consult the Engineer of Record for the appropriate environmental control settings or means to mitigate environmental influences.
  - If so equipped, ensure that the thermostats and/or humidistats are set to mitigate condensation. A minimum of watts of heat per section is suggested, see table below.

Amperage Rating	Heat Wattage
30 to 200	5
400	25
600 to 800	50
1200	100

- If heaters are being used with the equipment that were not included in the equipment by Schneider Electric, they must be clean and free of debris and grease. Greasy and/or smoky heaters can contaminate electrical insulation and lead to dielectric breakdown and/or tracking.
- Shipping packaging is not suitable for and cannot be used by itself for equipment storage unless otherwise indicated on the shipping packaging labeling.
- When receiving equipment, the equipment may be at a lower temperature than the ambient air temperature. Allow time for the equipment temperature, including the temperature of internal components, to rise to the ambient air temperature before making openings in or otherwise disturbing the packaging. Condensation can occur on and inside the equipment if warm air contacts cold surfaces of the equipment. Moisture damage can occur, destroying the dielectric capabilities of the equipment and rendering it unusable.
- The factory shipping wrap around the equipment on shipping pallets is not suitable for non-enclosed over-the-road transportation that risks exposing the equipment to the elements. The factory shipping wrap around the equipment should remain on the equipment until the equipment is ready to be inspected and stored or inspected and installed. After receiving the equipment and allowing it to acclimate to the environment, remove the packaging and inspect the equipment for damage that may have occurred in transit. If damage is found or suspected, immediately file a claim with the carrier and notify your Schneider Electric representative.
- Follow these guidelines every time the equipment is moved to a new storage location or to its final destination.



# Installation and Operation Requirements

This equipment does not achieve its ratings until it is installed per record/as-built drawings, installed per the instructions contained in this document, and has operational environmental controls with appropriate settings to help mitigate environmental influences. This equipment can also be operated in a climate controlled area that uses both heating and cooling to maintain acceptable environmental conditions. Indoor and outdoor rated equipment is not suitable for outdoor storage. In some cases (such as seasonal electrical loading, de-energized equipment, and standby/alternate power sources), the heat generated by equipment loading is insufficient to prevent condensation and alternate heat sources are required. If environmental controls such as a thermostat or humidistat are used, ensure their settings are sufficient to mitigate condensation and remain operational at all times. Consult the Engineer of Record for the appropriate environmental control settings.

## Proposition 65 Information



**WARNING:** This product can expose you to chemicals including Lead and Lead Compounds, which are known to the State of California to cause cancer and cause birth defects or other reproductive harm. For more information go to [www.P65Warnings.ca.gov](http://www.P65Warnings.ca.gov).

## Exposure to Moisture, Chemicals, and Condensation

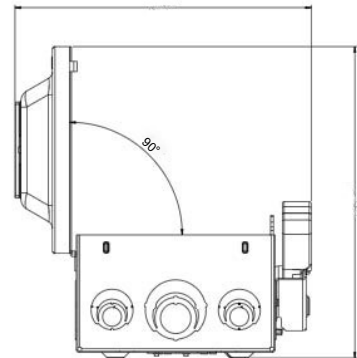
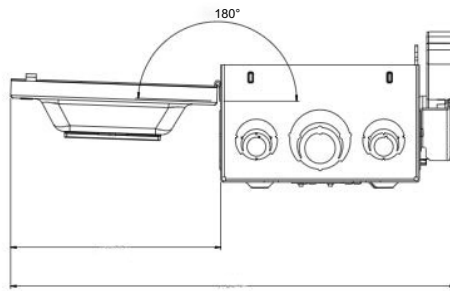
If liquids such as moisture, chemicals, and condensation contact the electronics, molded case switch, fuses, bussing, or other electrical components, do not attempt to clean or repair the equipment as this may lead to unrepairable damage. If the equipment is energized, de-energize it. If equipment is not energized, do not energize it. Contact the Schneider Electric Customer Care Center at 888-778-2733.

# Installation

## Mounting

Safety Switches are tested for operation and environmental enclosure ratings in the vertical position, with ON in the up position.

Always check the drawings for required space for each safety switch. The footprint and door swing radius need to be taken into account.



# Seismic Certifications

## Equipment Installation for Seismic Applications

### Introduction

Seismic certification is an optional feature for Safety Switch products and provides seismic conformance options to any of the building codes and seismic design standards identified in the [List of Supported Regional Building Codes and Seismic Design Standards](#), page 10. Safety Switches that are seismically certified have been certified to the seismic requirements of the listed code per the manufacturer's Certificate of Compliance (CoC). Equipment compliance labels and CoC's are provided with all seismically certified Safety Switches. Refer to the equipment CoC for certification details and applicable seismic parameters. To maintain the validity of this certification, the installation instructions provided in this section must be followed.

**Table 1 - List of Supported Regional Building Codes and Seismic Design Standards**

Country / Region	Code Reference ID	Code Name
Argentina	INPRES-CIRSOC103	Argentinean Standards for Earthquake Resistant Constructions
Australia	AS 1170.4-2007 (R2018)	Structural design actions, Part 4: Earthquake actions in Australia
Canada	NBCC	National Building Code of Canada
Chile	NCh 433.Of1996	Earthquake resistant design of buildings
China	GB 50011-2010 (2016)	Code for Seismic Design of Buildings
Colombia	NSR-10 Título A	Colombian Regulation of Earthquake Resistant Construction
Europe	Eurocode 8 EN1998-1	Design of structures for earthquake resistance – Part 1: General rules, seismic actions and rules for buildings
India	IS 1893 (Part 1) : 2016	Criteria for Earthquake Resistant Design of Structures Part 1 General Provisions and Buildings
Indonesia	SNI 1726:2019	Earthquake Resistance Planning Procedures for Building and Non-building Structures
Japan	Building Standard Law	The Building Standard Law of Japan
Mexico	CFE MDOC-15	Civil Works Design Manual, Earthquake Design
New Zealand	NZS 1170.5:2004+A1	Structural design actions, Part 5: Earthquake actions – New Zealand
Peru	N.T.E. - E.030	National Building Code, Earthquake-Resistant Design
Russia	СП 14.13330.2018	Building norms and regulations: Construction in seismic regions
Saudi Arabia	SBC 301	Saudi Building Code, Loads & Forces Requirements
Taiwan	CPA 2011	Seismic Design Code and Commentary for Buildings
Turkey	TBEC-2018	Turkey Buildings Earthquake Standard
United States	IBC per ASCE 7	International Building Code—IBC
	CBC per ASCE 7	California Building Code—CBC
	UFC per DoD	Uniform Facilities Criteria—UFC

### Responsibility for Mitigation of Seismic Damage

The Safety Switch equipment is considered a non-structural building component as defined by regional building codes and seismic design standards. Equipment capacity was determined from tri-axial seismic shake-table test results in accordance with the International Code Counsel Evaluation Service (ICC ES) Acceptance Criteria for Seismic Certification by Shake-Table Testing of Nonstructural Components (ICC-ES AC156).

An equipment importance factor,  $I_p$ , that is greater than one ( $I_p > 1.0$ ) is assumed and indicates that equipment functionality is required after a seismic event and after seismic simulation testing. This importance factor is applicable for designated seismic systems (i.e., special certification) servicing critical infrastructure and essential buildings where post-earthquake equipment functionality is a requirement.

Incoming and outgoing bus, cable, and conduit must also be considered as related but independent systems. These distribution systems must be designed and restrained to withstand the forces generated by the seismic event without increasing the load transferred to the equipment. For applications where seismic hazard exists, it is preferred that bus, cable, and conduit enter and exit the bottom of the equipment enclosure.

Seismic certification of nonstructural components and equipment by Schneider Electric is just one link in the total chain of responsibility required to maximize the probability that the equipment will be intact and functional after a seismic event. During a seismic event the equipment must be able to transfer the inertial loads that are created and reacted through the equipment's force resisting system and anchorage to the load-bearing path of the building structural system or foundation.

Anchorage of equipment (i.e., nonstructural supports and attachments) to the primary building structure or foundation is required to validate seismic conformance. The construction site structural engineer or engineer of record (EOR) or the registered design professional (RDP) is responsible for detailing the equipment anchorage requirements for the given installation. The installer and manufacturers of the anchorage system are responsible for assuring that the mounting requirements are met. Schneider Electric is not responsible for the specification and performance of equipment anchorage systems.

#### **Tie-down Points for Rigid Wall Mounted Equipment**

The equipment enclosure provides anchorage tie-down points to accept anchor attachments to the building structure or foundation. Indoor enclosures provide enclosure base frame clearance holes for bolted anchorage attachments, outdoor enclosures provide enclosure base frame clearance holes for bolted anchorage attachments please obtain drawings for actual locations.

Equipment installations of single, stand-alone safety switches must be anchored using all enclosure tie-down points as shown on drawings for indoor and outdoor applications respectively.

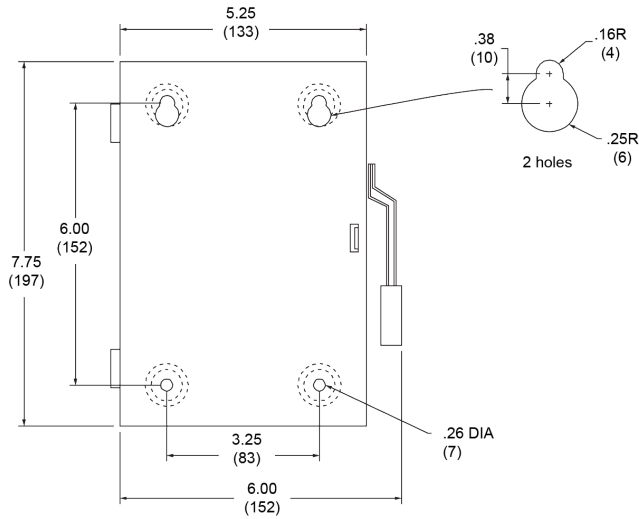
Equipment installations using welded supports and attachments in lieu of bolted supports and attachments must ensure the weld locations are distributed similarly to the locations of enclosure anchorage clearance holes. Welded supports and attachments must be properly sized to ensure the weldment withstand capacity exceeds the earthquake demand at location of equipment installation. Precautions shall be made to properly vent and shield the equipment enclosure during the field welding process. Schneider Electric is not responsible for equipment damage caused by field welded supports and attachments.

#### **Anchorage Assembly Instructions**

The bolted anchor assembly illustrates the equipment's as-tested attachment to the seismic shake-table test fixture. The equipment seismic rated capacity, as stated on the Schneider Electric CoC, was achieved with the identified size and grade attachment hardware. Field installed equipment attachment and support detailing shall be in accordance with the anchorage system requirements as defined by the construction site Engineer of Record (EOR) or Registered Design Professional (RDP).

**Table 2 - Anchorage as-Tested**

**Light Duty Safety Switches**

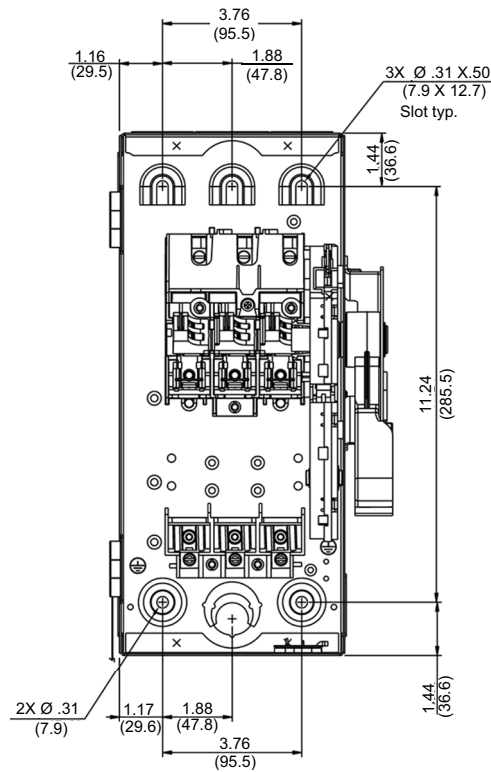


Type 1 – 30 A

1/4 in. grade 5 bolts and flat washer at four locations, torque to 8 ft–lbs.

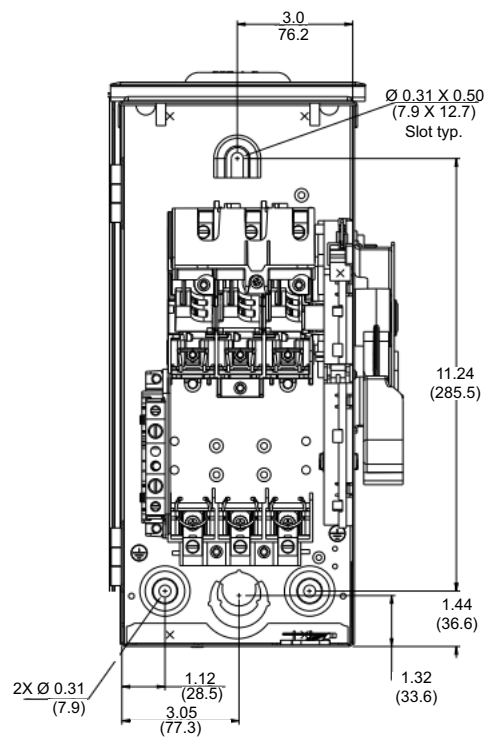
Dimensions: in. / (mm)

**General Duty and Heavy Duty – Single and Double Throw**



Type 1 30 AMP 240 V / 600 V Type 60 A 240 V

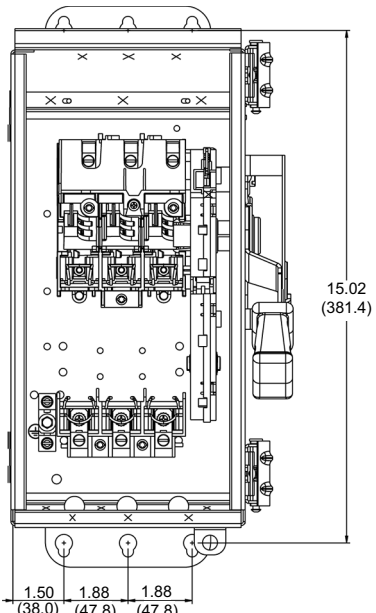
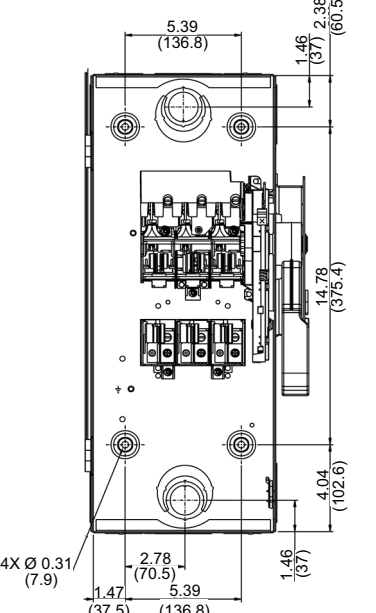
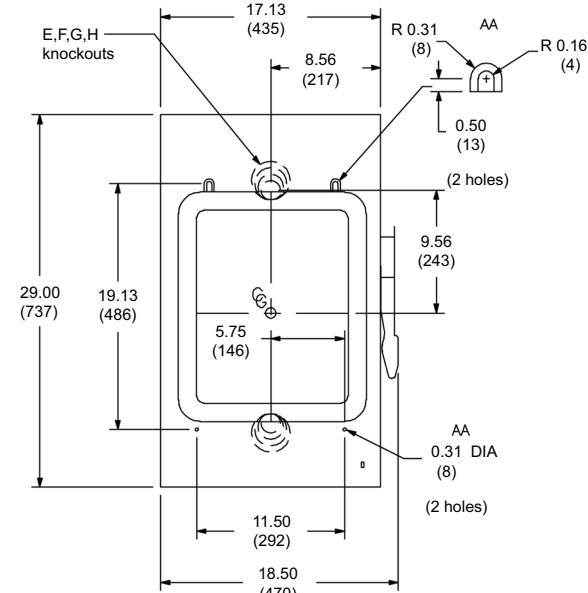
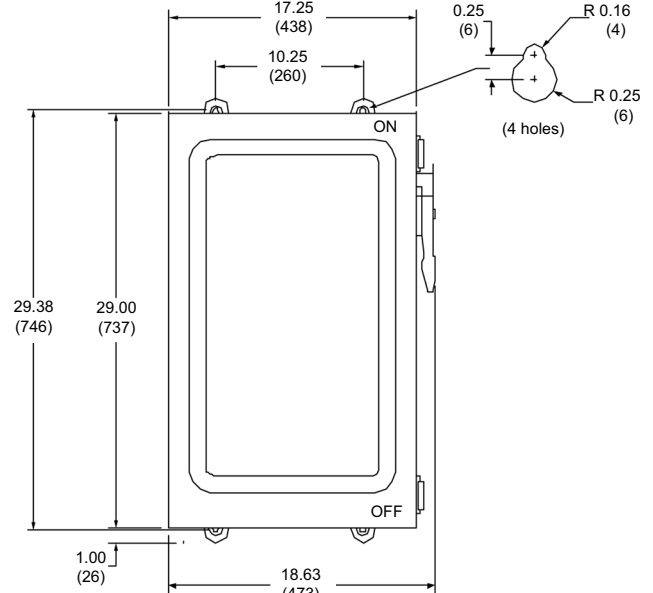
1/4 in. grade 5 bolts and flat washer at three locations, torque to 7 ft–lbs. Locations are top center, and two bottom locations.



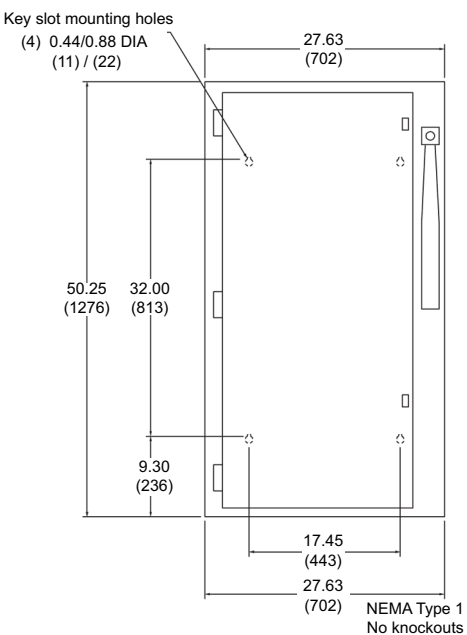
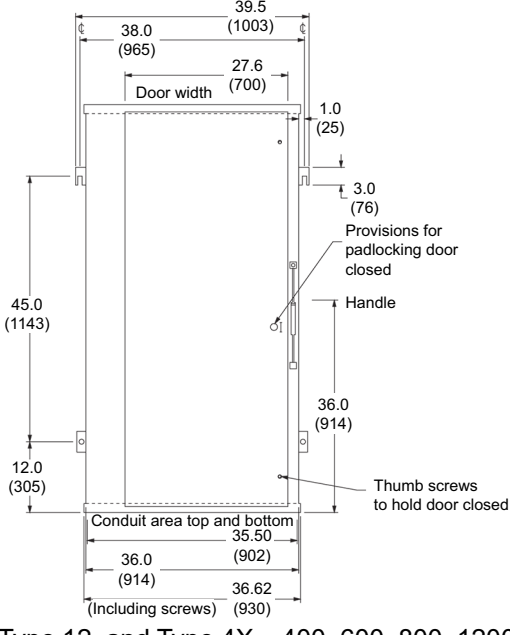
Type 3R 30 A 240 V / 600 V Type 60 A 240 V

1/4 in. grade 5 bolts and flat washer at three locations, torque to 7 ft–lbs.

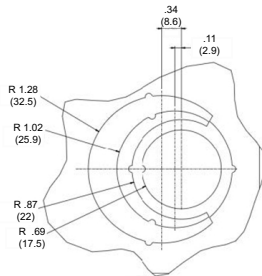
**Table 2 - Anchorage as-Tested (Continued)**

 <p>15.02 (381.4)</p> <p>1.50 (38.0) 1.88 (47.8) 1.88 (47.8)</p> <p>Type 12 and Type 4X 30, 60, 100 A 240 V / 600 V</p> <p>1/4 in. grade 5 bolts and flat washer at four locations, torque to 7 ft-lbs. Top and bottom outside holes.</p>	 <p>5.39 (136.8)</p> <p>1.46 (37) 2.38 (60.5)</p> <p>14.78 (375.4)</p> <p>4.04 (102.6)</p> <p>1.46 (37)</p> <p>4X Ø 0.31 (7.9)</p> <p>1.47 (37.5) 2.78 (70.5) 5.39 (136.8)</p> <p>Type 1 and Type 3R 60 A 240V 100 A 240 V / 600 V</p> <p>1/4 in. grade 5 bolts and flat washer at four locations, torque to 7 ft-lbs.</p>
 <p>17.13 (435)</p> <p>E, F, G, H knockouts</p> <p>8.56 (217)</p> <p>R 0.31 (8)</p> <p>AA</p> <p>R 0.16 (4)</p> <p>0.50 (13)</p> <p>(2 holes)</p> <p>9.56 (243)</p> <p>5.75 (146)</p> <p>AA 0.31 DIA (8)</p> <p>(2 holes)</p> <p>11.50 (292)</p> <p>18.50 (470)</p> <p>29.00 (737)</p> <p>19.13 (486)</p> <p>Type 1 and Type 3R 200 A 240 V / 600 V</p> <p>1/4 in. grade 5 bolts and flat washer at four locations, torque to 7 ft-lbs.</p>	 <p>17.25 (438)</p> <p>10.25 (260)</p> <p>0.25 (6)</p> <p>R 0.16 (4)</p> <p>R 0.25 (6)</p> <p>(4 holes)</p> <p>29.38 (746)</p> <p>29.00 (737)</p> <p>1.00 (26)</p> <p>18.63 (473)</p> <p>ON</p> <p>OFF</p> <p>Type 12 and Type 4X 100 and 200 A 240 V / 600 V</p> <p>1/4 in. grade 5 bolts and flat washer at four locations, torque to 7 ft-lbs.</p>

**Table 2 - Anchorage as-Tested (Continued)**

 <p>Key slot mounting holes (4) 0.44/0.88 DIA (11) / (22)</p> <p>27.63 (702)</p> <p>50.25 (1276)</p> <p>32.00 (813)</p> <p>9.30 (236)</p> <p>17.45 (443)</p> <p>27.63 (702)</p> <p>NEMA Type 1 No knockouts</p> <p>Type 1, Type 3R 400, 600, 800, 1200 A 240 V / 600 V</p> <p>3/8 in. grade 5 bolts and flat washer at four locations, torque to 25 ft–lbs.</p>	 <p>39.5 (1003)</p> <p>38.0 (965)</p> <p>27.6 (700)</p> <p>Door width</p> <p>1.0 (25)</p> <p>3.0 (76)</p> <p>Provisions for padlocking door closed</p> <p>Handle</p> <p>36.0 (914)</p> <p>Thumb screws to hold door closed</p> <p>45.0 (1143)</p> <p>12.0 (305)</p> <p>Conduit area top and bottom</p> <p>35.50 (902)</p> <p>36.0 (914)</p> <p>36.62 (930)</p> <p>(Including screws)</p> <p>Type 12, and Type 4X – 400, 600, 800, 1200 A 240 V / 600 V</p> <p>7/16 in. grade 5 bolts and flat washer at four locations, torque to 40 ft–lbs.</p>
--	--

## Removal of Knock Outs



1. Determine the size required.
2. Remove the smallest knockout first.  
Go across from the spot weld and apply force to break the knock out loose. Then crimp the knock out and twist until removed.
3. Removal of the second knockout full ring.  
Two spot welds located across from each other. Go 90° from each spot weld apply force to break each side loose. Then pinch the two sides together and apply rotating force until removed.
4. Removal of the knock out partial ring.  
Go 90° from either spot weld and apply force to break the side loose. The partial side apply force on each partial part of knock out. Pinch the three pieces together and apply rotating force until removed.
5. Repeat step 3 and 4 until the knock out side requirements are obtained.

### Conduit Entry

Drilling into enclosures for creating conduit entry locations may be required. Protect internal components from metal filings, via drop cloths or orientation of drilling, to prevent foreign materials from contacting electrical connections points. An example of a connection point is lugs, blades, or fuse clips.

Locate conduit entries to comply with bending radius requirements for conductors.



## Enclosure Ratings

All Schneider Electric enclosures are certified to UL 50 / CSA C22.2 No. 94.1 and UL 50E / CSA C22.2 No. 94.2 carrying a UL Type Rating. Ratings are equal to or greater than NEMA Ratings of same number.

**Table 3 - Enclosure ratings**

Type	Knockout information
Type 1 general purpose, indoor (ANSI49 gray paint on cold rolled steel)	Knockouts standard on 30–100 A enclosures; top, bottom and sidewalls
Type 3R rainproof, outdoor (ANSI49 gray paint on galvanized steel)	Knockouts standard on 30–100 A enclosures; bottom and sidewalls
Type 12 indoor, dust-tight, and drip-tight (ANSI49 gray paint on galvanized steel)	Type 12 has no knockouts (also suitable for Type 3R outdoor use)
Type 4, 4X, and 5 indoor or outdoor, watertight, dust-tight, and corrosion resistant (Type 304 or Type 316 stainless steel)	—
Type 4X indoor or outdoor, watertight and dust-tight, and corrosion resistant (fiberglass reinforced polyester)	—
Type 7/9 hazardous locations as defined in NEC® Article 500 (copper free cast aluminum)	Class I, Divisions 1 and 2, Groups C and D
	Class II, Divisions 1 and 2, Groups E, F and G
	Class III, Divisions 1 and 2
Type 3R - 800 and 1200 A Heavy Duty shipped as Type 5 enclosure, removed drip screw for Type 3 Applications	—
Type 12 - may be used for Type 3R applications by removing drip screw	—

# Fusible Safety Switches

**Table 4 - Ratings for Fuses**

Class	Cartridge fuse	Ampere Rating
<b>Light Duty Safety Switches</b>		
Plug	10 kA short circuit	30
<b>Light and General Duty Safety Switches from the factory cartridge fuses</b>		
H	10 kA short circuit	30 to 600
K	10 kA short circuit	30 to 600
R	10 kA short circuit	30 to 600
	100 kA short circuit <sup>1</sup>	30 to 600
T	100 kA short circuit	800
		400 and 600 <sup>2</sup>
<b>Heavy Duty Safety Switches from the factory cartridge fuses</b>		
H	10 kA short circuit	30 to 600
K	10 kA short circuit	30 to 600
R	10 kA short circuit	30 to 600
	200 kA short circuit <sup>1</sup>	30 to 600
L	200 kA short circuit	800 to 1200
<b>Safety Switches Field Modified</b>		
General Duty		
J	100 kA short circuit	30 to 600
Heavy Duty		
J	200 kA Short Circuit	100 to 200 <sup>3</sup>
		30 to 400 <sup>4</sup>
		600 <sup>5 6</sup>

**NOTE:** AIC ratings are for the switch, fuse, and/or rejection clip combination.

**Table 5 - UL Class Ratings for Fuses**

Class	Voltage	Maximum Interruption Rating
<b>Current limiting fuses</b>		
R	250 Vac	200,000 A rms symmetrical
	600 Vac	
	300 Vdc	
	600 Vdc	
<b>Terminals modified to provide rejection feature</b>		
J	600 Vac	200,000 A rms symmetrical

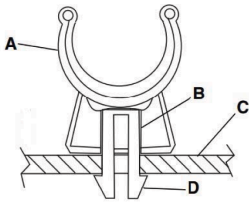
1. Class R rejection clips field-installed.
2. Factory special.
3. 240 V
4. 600 V
5. 240 V or 600 V
6. Requires kit H600J.

**Table 5 - UL Class Ratings for Fuses (Continued)**

Class	Voltage	Maximum Interruption Rating
T	300 Vac	200,000 A rms symmetrical
	600 Vac	200,000 A rms symmetrical
	125 Vdc	200,000 A rms symmetrical
	300 Vdc	200,000 A rms symmetrical
L	600 Vac	ac: 200,000 A rms symmetrical
		dc: 50,000 A
	600 Vdc	dc: 100,000 A
		dc: 200,000 A
K	250 Vac	50,000 A rms symmetrical
	600 Vac	100,000 A rms symmetrical
		200,000 A rms symmetrical
<b>Non-Current Limiting Fuses</b>		
H	250 Vac	10,000 A rms symmetrical
	600 Vac	
Plug	125 Vac	10,000 A rms symmetrical

# Class R Rejection Clip Kits

It is required to obtain full rating of Class R fuses, without clips the system rating is reduced to 10 kAIC, since switch can have Class H or Class K still installed.



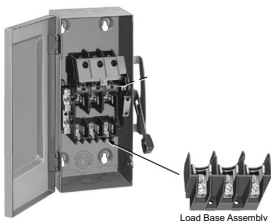
Ampere Rating	Voltage Rating	Kit Catalog
30	240 V	RFK03L
30	600 V	RFK03H
30 <sup>7</sup>		RFK06
30 <sup>8</sup>		RFK06
60	240 V	RFK03H
60	600 V	RFK06H
100	240 V and 600 V	RFK10
200		RFK1020
400		RFK4060
600		RFK4060

- Turn OFF (O) all power supplying switch and follow lockout/tag-out procedures.
 

**NOTE:** Each fuse has rejection provisions on one end only. Ears on adapter fit into small slots in molded base, near fuse clip (A) on line end.
- Push fuse adapter (B) firmly into slot in molded base (C) with circular portion going into slot in either side of fuse clip. Make sure ears (D) of adapter snap into base so adapter cannot be removed.
- Refer to the Class R Rejection Clip Kits for additional information.
 

**NOTE:** Class J fuses require moving of the Load Base Assembly to holes marked on the devices. 600 A also requires Kit: H600J.

## Moving the Load Base Assembly



- Remove two mounting screws (can be used for remounting) that have load base located for Type H, K and R fuses.
- Align load base for mounting location for Type J fuses.
- Use screws to reattach load base. Refer to the table below for the appropriate torque value.

Amperage	Torque
30 A	20–30 lb–in. (2.26–3.39 N•m)
60 A	25–35 lb–in. (2.82–3.95 N•m)
100 A	
200 A	30–50 lb–in. (3.39–5.65 N•m)
400 A	55–60 lb–in. (6.21–6.78 N•m)
600 A	

7. Four pole  
8. With receptacle

# Non-Fusible Safety Switch Short Circuit Current Rating

**Table 6 - Non-Fusible Safety Switches, NEMA Type 7/9 SCCR 10 kAIR 600 Vac maximum**


Switch Rating (A)	Fuse or Circuit Breaker Type <sup>9</sup>	240 Vac	480 Vac	600 Vac	250 Vdc
Switch Ratings (A)	With Upstream Fuse Protection	240 Vac	480 Vac	600 Vac	250 Vdc/ 600 Vdc
ALL	H, K	10 kA	10 kA	10 kA	up to 10 kA
	R, T, J, L	200 kA	200 kA	200 kA	up to 10 kA
Switch Ratings (A)	With Upstream Circuit Breaker Protection	240 Vac	480 Vac	600Y/347 Vac	250 Vdc
30, 60, 100	BD	25 kA	18 kA	14 kA	up to 10 kA
30, 60, 100	BG	65 kA	35 kA	18 kA	up to 10 kA
30, 60, 100	BJ	100 kA	65 kA	25 kA	up to 10 kA
30, 60, 100	BK	100 kA	65 kA	65 kA	up to 10 kA
Switch Ratings (A)	With Upstream Circuit Breaker Protection	240 Vac	480 Vac	600 Vac	250 Vdc
ALL	Any brand circuit breaker	10 kA	10 kA	10 kA	up to 10 kA
30, 60, 100	HD	25 kA	18 kA	14 kA	up to 10 kA
30, 60, 100	HG	65 kA	35 kA	18 kA	up to 10 kA
30, 60, 100	HJ	65 kA	35 kA	18 kA	up to 10 kA
30, 60, 100	HL	65 kA	35 kA	35 kA	up to 10 kA
30, 60, 100	HR	65 kA	35 kA	35 kA	up to 10 kA
30, 60, 100	FA	14 kA	14 kA	14 kA	up to 10 kA
30, 60, 100	FH	18 kA	18 kA	18 kA	up to 10 kA
200	HD, JD	25 kA	18 kA	14 kA	up to 10 kA
200	HG, JG	65 kA	35 kA	18 kA	up to 10 kA
200	HJ, JJ	65 kA	65 kA	25 kA	up to 10 kA
200	HL, JL	65 kA	35 kA	35 kA	up to 10 kA
200	HR, JR	65 kA	35 kA	35 kA	up to 10 kA
400	LA	25 kA	25 kA	25 kA	up to 10 kA
400	LH	25 kA	25 kA	25 kA	up to 10 kA
400, 600	LD	25 kA	18 kA	14 kA	up to 10 kA
400, 600	LG	65 kA	35 kA	18 kA	up to 10 kA
400, 600	LJ	100 kA	65 kA	25 kA	up to 10 kA
400, 600	LL	100 kA	65 kA	50 kA	up to 10 kA
400, 600	LR	100 kA	65 kA	65 kA	up to 10 kA

9. Ampere rating of fuse or circuit breaker not to exceed switch ampere rating.

# Ground Kits

Ground Kits can be factory or field installed. For Heavy Duty 30–200 A Type 12 and 4X enclosures and Light Duty 30 A switches ground kits are factory installed as standard.

All units ship with a bonded neutral bar that comes with factory installed ground terminal.

Ground lug mounting locations are identified by the ground symbol  stamped onto the back of enclosure. Ground the enclosure in accordance with code requirements.

Ampere Rating	Product	Voltage Rating ac	Ground Kit (ALCU)	Wire Range	Ground Kit Copper only (Heavy duty)	Wire Range
30	General Duty	240	PK3GTA1	(3) 14 - 4 AWG CU (3) 12 - 4 AWG AL (6) 14 - 12 AWG CU (6) 12 - 10 AWG AL	N/A	—
30	Heavy Duty	240 and 600	GTK03	(2) 14 - 4 AWG CU (2) 12 - 4 AWG AL or (4) 14-12 AWG CU (4) 12-10 AWK AL	GTK03C	(2) 14 - 6 AWG CU
60	General Duty Heavy Duty	240	GTK03	(2) 14 - 4 AWG CU (2) 12 - 4 AWG AL or (4) 14-12 AWG CU (4) 12-10 AWK AL	GTK03C	(2) 14 - 6 AWG CU
60	Heavy Duty	600	GTK0610	(2) 14 - 1/0 AWG CU (2) 12 - 1/0 AWG AL and (2) 14-6 AWG CU (2) 12-6 AWK AL	GTK0610C	(2) 14 - 1/0 AWG CU and (2) 14 - 6 AWG CU
100	General Duty Heavy Duty	240 and 600	GTK0610	(2) 14 - 1/0 AWG CU (2) 12 - 1/0 AWG AL and (2) 14-6 AWG CU (2) 12-6 AWK AL	GTK0610C	(2) 14 - 1/0 AWG CU and (2) 14 - 6 AWG CU
200	General Duty Heavy Duty	240 and 600	PKOGTA2	(2) 10 - 2/0 AWG CU (2) 6 - 2/0 AWG AL	PKOGTC2	(2) 14 - 4 AWG CU
400	General Duty Heavy Duty	240 and 600	PKOGTA2	(2) 10 - 2/0 AWG CU (2) 6 - 2/0 AWG AL	PKOGTC3	(2) 14 - 1/0 AWG CU
600	General Duty Heavy Duty	240 and 600	PKOGTA2	(2) 10 - 2/0 AWG CU (2) 6 - 2/0 AWG AL	PKOGTC3	(2) 14 - 1/0 AWG CU
800	General Duty	240	PKOGTA3	(6) 6 - 3/0 AWG CU (6) 6 - 3/0 AWG AL	N/A	—
800	Heavy Duty	240 and 600	PKOGTA7	(4) 4 AWG - 300 kcmil CU (4) 4 AWG - 300 kcmil AL	N/A	—
1200	Heavy Duty	240 and 600	PKOGTA8	(8) 4 AWG - 300 kcmil CU (8) 4 AWG - 300 kcmil AL	N/A	—

# Insulated Neutral Assemblies

Insulated neutral assemblies are available as factory- or field-installed. All insulated neutrals come with a bonding screw or jumper for field installation, allowing these items to be used in service entrance equipment in the United States and Mexico.

Factory installed **insulated neutrals** are shipped not bonded, can be used for all applications in the United States and Mexico. They cannot be used for service entrance applications in Canada.

Factory installed **bonded neutral** is used for service entrance applications in Canada and can also be used for service entrance applications in the United States and Mexico.

**NOTE:** For devices shipped factory bonded, the bonding screw must be removed for all non-service entrance applications.

Ampere Rating	Product	Voltage Rating ac	Neutral Kit (ALCU)	Wire Range	Neutral Kit Copper only	Wire Range	
30	Heavy Duty	240 and 600	SNO3	(2) 14 – 3 AWG CU (2) 14 – 3 AWG AL plus SVC Ground (1) 14 -3 AWG CU (1) 14 – 3 AWG AL	SNO3C	(2) 14 – 6 AWG CU plus SVC Ground (1) 14 -6 AWG CU	
60		240	SNO3	(2) 14 – 3 AWG CU (2) 14 – 3 AWG AL plus SVC Ground (1) 14 -3 AWG CU (1) 14 – 3 AWG AL	SNO3C	(2) 14 – 6 AWG CU plus SVC Ground (1) 14 -6 AWG CU	
60		600	SNO610	(2) 14 – 1/0 AWG CU (2) 14 – 1/0AWG AL plus SVC Ground (2) 14 -6 AWG CU (2) 14 – 6 AWG AL	SNO610C	(2) 14 – 2/0 AWG CU plus SVC Ground (3) 14 -6 AWG CU	
100		240 and 600		SNO610	(2) 14 – 1/0 AWG CU (2) 14 – 1/0AWG AL plus SVC Ground (2) 14 -6 AWG CU (2) 14 – 6 AWG AL	SNO610C	(2) 14 – 2/0 AWG CU plus SVC Ground (3) 14 -6 AWG CU
200				SN20A	(2) 6 AWG – 250 kcmil CU (2) 6 AWG – 250 kcmil AL plus SVC Ground (2) 14 -10 AWG CU (2) 14 – 10 AWG AL	SN20C	(2) 6 AWG – 250 KCMIL CU plus SVC Ground (1) 14 -1/0 AWG CU
400				H600SN	(2) 1 AWG– 750 kcmil CU (2) 1 AWG – 750 kcmil AL plus SVC Ground (1) 4 AWG – 300 kcmil CU (1) 4 AWG – 300 kcmil AL	H600SNC	(2) 6 AWG – 600 kcmil CU and (2) 2 AWG – 350 kcmil CU plus SVC Ground (1) 6 AWG – 250 kcmil CU
600				H600SN	(2) 1 AWG– 750 kcmil CU (2) 1 AWG – 750 kcmil AL plus SVC Ground (1) 4 AWG – 300 kcmil CU (1) 4 AWG – 300 kcmil AL	H600SNC	(2) 6 AWG – 600 kcmil CU and (2) 2 AWG – 350 kcmil CU plus SVC Ground (1) 6 AWG – 250 kcmil CU
800				H800SNE4	(6) 3/0 AWG - 750 kcmil CU (6) 3/0 AWG 750 kcmil AL plus SVC Ground (2) 6 AWG – 350 kcmil CU (2) 6 AWG – 350 kcmil AL	N/A	—
1200				H1200SNE4	(8) 3/0 AWG - 750 kcmil CU (8) 3/0 AWG 750 kcmil AL plus SVC Ground (2) 6 AWG – 350 kcmil CU (2) 6 AWG – 350 kcmil AL	N/A	—

# Line Side Barriers

General duty and heavy duty single throw units 30, 60, 100, and 200 A switches are designed to provide protection from inadvertent contact on incoming terminals. Internal components comply with IP2X ratings and UL 869A .

Field Installed barriers are available for 400, 600, 800, and 1200 A devices and when installed, provide protection from inadvertent contact on incoming terminals.

Ampere	Product	Voltage Rating AC	Two Pole	Three Pole
400	Heavy Duty	240	LSBG203	LSBG203
		600	LSBG602	LSBG602
600		240	LSBG203	LSBG203
		600	LSBG602	LSBG602
800		240	LSBF202	LSBF203
		600	LSBF602	LSBF602
1200		240	LSBF202	LSBF203
		600	LSBF602	LSBF602

Wire insulation is part of the touch protective system, the tables below give the amount of conductor that should be exposed.

**Table 7 - General Duty Safety Switches**

Ampere	Voltage	Wire Strip
30	240	0.47 in. / 12 mm
60		
100		0.60 in. / 15 mm
200		0.87 in. / 22 mm
400		1.25 in. / 32 mm
600		
800		

**Figure 1 - Stripped Wire**



**Table 8 - Heavy Duty Safety Switches**

Ampere	Voltage	Wire Strip
30	240	0.47 in. / 12 mm
60		
100		0.60 in. / 15 mm
200		0.87 in. / 22 mm
400		1.50 in. / 38 mm
600		
800		
1200		1.50 in. / 38 mm (top) 2.70 in. / 69 mm (bottom)
30	600	0.47 in. / 12 mm
60		
100		0.60 in. / 15 mm
200		0.87 in. / 22 mm
400		1.50 in. / 38 mm
600		
800		
1200		1.50 in. / 38 mm (top) 2.70 in. / 69 mm (bottom)



# Service Entry Requirements

## **USA and Mexico**

Switches not factory bonded are shipped suitable for use as service equipment.

Switches that are shipped from the factory with a bonded neutral are suitable for use as service equipment.

For use on other applications, the bonding screw should be removed.

Enclosure must be grounded.

Devices require line side barriers.

Enclosure must be bonded via a bonding screw or jumper; bonding the insulated neutral to the enclosure.

## **Canada**

Switches that are shipped from the factory with a bonded insulated neutral are suitable for use as service equipment.

Canada factory bonded insulated neutral can be unbonded and used for other applications other than the service entrance.

**NOTE:** Review electrical code CSA C22.1 Article 6-212 for wiring requirements.

# Maintenance

## Introduction

Safety switches are properly lubricated at the factory. However, periodic cleaning and lubrication may be required. The maintenance interval between lubrications depends on the amount of switch usage and the ambient operating conditions. The maximum maintenance interval should not exceed one year for mechanical or current-carrying parts.

For additional information, refer to publication NFPA 70B, "Standard for Electrical Equipment Maintenance".

## Unusual Performance Conditions

Contact Schneider Electric for information regarding performance under unusual conditions. Examples of unusual conditions are shown in table below:

Unusual Conditions
Ambient temperatures below -22°F (-30°C) or above 104°F (40°C)
Altitudes over 6600 ft (2012 m)
Corrosive or explosive environments
Abnormal vibration, shock, or tilting
Unusual operating duties

## DANGER

### HAZARD OF ELECTRIC SHOCK, EXPLOSION, OR ARC FLASH

- Apply appropriate personal protective equipment (PPE) and follow safe electrical work practices. See NFPA 70E, CSA Z462 or NOM-029-STPS.
- This equipment must only be installed and serviced by qualified electrical personnel.
- Never operate energized switch with door open.
- Turn off switch before removing or installing fuses or making load side connections.
- Always use a properly rated voltage sensing device at all line and load fuse clips to confirm switch is off.
- Turn off power supplying switch before doing any other work on or inside switch.
- Do not use renewable link fuses in fused switches.

**Failure to follow these instructions will result in death or serious injury.**

## Annual Maintenance Procedures

1. Turn off power supplying the switch before performing any work on or inside the switch.
2. Open the switch blades by moving the operating handle to the OFF (O) position.
3. Lock out or tag the switch, per local procedures.
4. Open the enclosure door.
5. Always use a properly rated voltage sensing device at all line and load-side lugs (terminals) to confirm power is off.

**NOTE:** Do not remove any parts from the switch or operating mechanism unless specifically instructed to do so in the following procedures. Vacuum any loose material from inside the switch. Wipe internal parts and the inside of the enclosure with a damp, lint-free cloth.

6. Visually inspect the switch for loose parts or hardware:
  - a. Retighten the hardware as needed. Refer to the wiring diagram for torque values.
  - b. Do not re-energize the switch if any worn or damaged parts are found. Replace them before re-energizing the switch.

### Parts Removal

1. Remove the arc suppressor(s) or arc shield(s) from the switches by loosening the fastener(s) holding the suppressor(s) / shield(s) in place. See the examples provided.
2. Remove old grease and other contaminants from the line-side jaws and switchblades with a clean, lint-free cloth. If the lubricant has dried, remove it with CRC® HF Contact Cleaner, or equivalent, sprayed on a cloth.
3. Lubricate the cleaned areas with a thin film of Dow Corning®BG20 grease only.

**NOTE:** Do not substitute any other lubricant. Other lubricants may not be suitable for electrical applications and could alter the performance of the switch. Dow Corning BG20 is available from Square D (part number SWLUB).
4. Exercise the operating mechanism to ensure proper operation by opening and closing the switch five times with the door closed. Open the switch blades.

## ⚠ CAUTION

### HAZARD OF EQUIPMENT DAMAGE

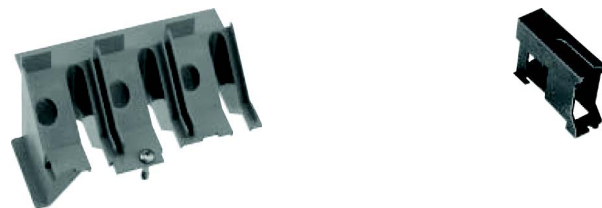
Do not disassemble the switch line base assembly or remove the blade rotor when cleaning the line-side jaw or the switch blade. See Figure 4, page 26, Examples of Line Base Assemblies.

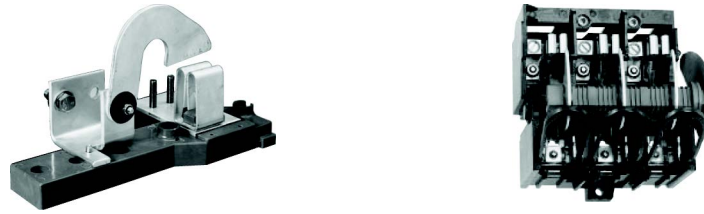
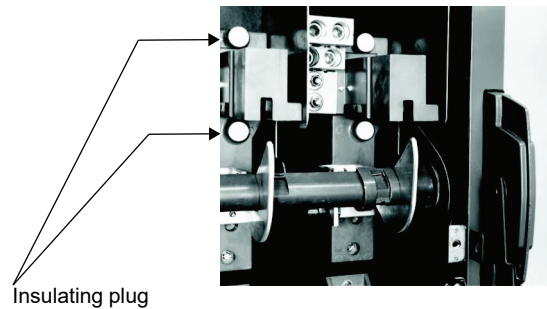
**Failure to follow these instructions can result in injury or equipment damage.**

Figure 2 - Example of Arc Suppressors



Figure 3 - Example of Arc Shields



**Figure 4 - Examples of Line Base Assemblies****Figure 5 - Insulating Plugs on Pole Unit****Parts Replacement**

1. Reinstall the arc suppressor(s) or arc shield(s) according to the torque values in the table 9, page 26 below.
2. Ensure that the two insulating plugs in each phase (400–1200 A only) are firmly seated. See Figure 5.

**Table 9 - Arc Suppressor Screw Torque Values**

Switch Type	Torque Value
30–100 A	5–10 lb–in. (0,57–1,13 N•m)
200 A, F Series	10–20 lb–in. (1,13–2,26 N•m)
200 A, E Series	20–25 lb–in. (2,26–2,83 N•m)
400–800 A General Duty	20–25 lb–in. (2,26–2,83 N•m)
400–1200 A Heavy Duty	30–40 lb–in. (3,39–4,52 N•m)

**Re-Energize the Switch**

1. Close and latch the door.
2. Turn off all downstream loads.
3. Turn on power supplying the switch.
4. Turn on the switch.
5. Turn on all downstream loads.

# Wiring Diagrams

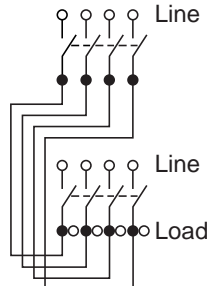
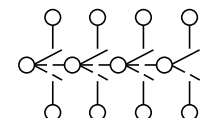
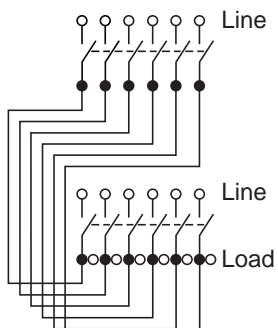
**Table 10 - Single-Throw Safety Switches**

Fuse	Fused with Neutral	Non-Fused
<p><b>Two-wire</b> (2 blades and fuse holder)</p>	<p><b>Two-wire</b> (1 blade and fuse holder)</p>	<p><b>Two-wire</b> (2 blades)</p>
<p><b>Three-wire</b> (3 blades and fuse holders)</p>	<p><b>Three-wire</b> (2 blades and fuse holder)</p>	<p><b>Three-wire</b> (3 blades)</p>
<p><b>Four-wire</b> (4 blades and fuse holders)</p>	<p><b>Four-wire</b> (3 blades and fuse holders)</p>	<p><b>Four wires</b> (4 blades)</p>
<p><b>Six-wire</b> (6 blades and fuse holders)</p>	<p>—</p>	<p><b>Six-wires</b> (6 blades)</p>

**Table 11 - Double-Throw Safety Switches**

Fuse	Non-Fused
<p><b>Fusible-2P</b></p>	<p><b>Non-Fusible-2P</b></p>
<p><b>Fusible-3P</b></p>	<p><b>Non-Fusible-2P</b></p>
<p><b>Fusible-3P</b></p>	<p><b>Non-Fusible-3P</b></p>
—	<p><b>Non-Fusible-3P</b></p>
—	<p><b>Non-Fusible-4P</b></p>

**Table 11 - Double-Throw Safety Switches (Continued)**

Fuse	Non-Fused
—	<p><b>Non-Fusible-4P</b></p> 
—	<p><b>Non-Fusible-4P</b></p> 
—	<p><b>Non-Fusible-6P</b></p> 

# Replacing the Viewing Window 30–200 A

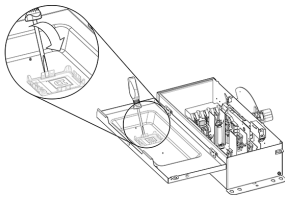
## **⚠️⚠️ DANGER**

### **HAZARD OF ELECTRIC SHOCK, EXPLOSION, OR ARC FLASH**

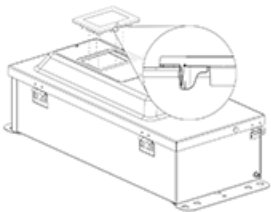
- Apply appropriate personal protective equipment (PPE) and follow safe electrical work practices. See NFPA 70E, CSA Z462 or NOM-029-STPS.
- This equipment must only be installed and serviced by qualified electrical personnel.
- Never operate energized switch with door open.
- Turn off switch before removing or installing fuses or making load side connections.
- Always use a properly rated voltage sensing device at all line and load fuse clips to confirm switch is off.
- Turn off power supplying switch before doing any other work on or inside switch.
- Do not use renewable link fuses in fused switches.

**Failure to follow these instructions will result in death or serious injury.**

**Figure 6 - Unhook Snap from Cover**



**Figure 7 - Snaps in Place**



1. Turn off power supplying the switch before performing any work on or inside the switch.
2. Open the switch blades by moving the operating handle to the OFF (O) position.
3. Lock out or tag the switch, per local procedures.
4. Open the enclosure door.
5. Always use a properly rated voltage sensing device at all line and load-side lugs (terminals) to confirm power is off.
6. From inside of front cover use a screw driver to unhook snap from cover and push window out (do on all snap locations). See Figure 6, page 30.
7. Center new window in the opening.
8. Apply equal force on window to snap into place.
9. Confirm that snaps are properly engaged. See Figure 7, page 30.
10. Close the door. Complete any lock out tag out procedures required. Energize, as required.





Schneider Electric  
800 Federal Street  
Andover, MA 01810  
USA

888-778-2733

[www.se.com](http://www.se.com)

As standards, specifications, and design change from time to time,  
please ask for confirmation of the information given in this publication.

© 2023–2024 – Schneider Electric. All rights reserved.

GEX75737

# Manual del usuario del interruptor de seguridad Square D™

## Boletín de instrucciones

GEX75737, Rev. 01

Fecha de lanzamiento 09/24

**SQUARE D™**



# Información legal

La información que se ofrece en este documento incluye descripciones generales, características técnicas o recomendaciones relacionadas con los productos o las soluciones.

Este documento no está previsto para usarse en sustitución de estudios detallados, ni de desarrollos o planes esquemáticos operativos y específicos del sitio. No debe utilizarse para determinar la idoneidad o fiabilidad de los productos o soluciones para aplicaciones de usuario específicas. El usuario tiene la obligación de realizar un análisis de riesgos, una evaluación y unas pruebas adecuados y exhaustivos de los productos o soluciones, en relación con la aplicación o el uso específicos correspondientes, o de encargar su realización a un experto profesional de su elección (integrador, especificador o similar).

La marca Schneider Electric y cualquier marca comercial de Schneider Electric SE y sus subsidiarias mencionadas en este documento son propiedad de Schneider Electric SE o sus subsidiarias. Todas las demás marcas pueden ser marcas comerciales de sus respectivos propietarios.

Este documento y su contenido están protegidos por las leyes de derechos de autor aplicables y se proporciona solo para fines informativos. No se puede reproducir ni transmitir ninguna parte de este documento de ninguna forma ni por ningún medio (ya sea electrónico, mecánico, por fotocopia, grabación o de otra manera), con ningún propósito, sin la previa autorización por escrito de Schneider Electric.

Schneider Electric no concede ningún derecho o licencia para el uso comercial del documento o de su contenido, salvo en el caso de una licencia no exclusiva y personal para consultarla que se suministra "tal cual".

Schneider Electric se reserva el derecho a realizar cambios o actualizaciones en relación con el contenido de este documento o su formato, en cualquier momento y sin previo aviso.

**En la medida permitida por la ley vigente, Schneider Electric y sus subsidiarias no asumen responsabilidad alguna por cualquier error u omisión en el contenido informativo de este documento, así como tampoco por cualquier uso o uso indebido del contenido de este documento.**

---

# Contenido

Información de seguridad.....	5
Observe que.....	5
Requisitos de envío y almacenamiento.....	6
Requisitos de instalación y operación.....	7
Información de la propuesta 65.....	7
Exposición a la humedad, a productos químicos y a la condensación.....	8
Instalación.....	9
Montaje.....	9
Certificaciones sísmicas.....	10
Extracción de los orificios ciegos.....	14
Clasificación de gabinetes.....	15
Interruptores de seguridad con fusible.....	16
Kits de clips de rechazo de clase R.....	18
Desplazamiento del ensamble de base de carga.....	19
Corriente nominal de cortocircuito del interruptor de seguridad sin fusibles.....	20
Kits de puesta a tierra.....	21
Ensamblados de neutro aislado.....	22
Barreras del lado de línea.....	23
Requisitos de entrada al servicio.....	25
Mantenimiento.....	26
Diagramas de cableado.....	30
Sustitución de la ventana de visualización de 30 a 200 A.....	33



# Información de seguridad

Asegúrese de leer detenidamente estas instrucciones y examine el equipo para familiarizarse con él antes de instalarlo, hacerlo funcionar o prestarle servicio de mantenimiento. Los siguientes mensajes especiales pueden aparecer en esta guía del usuario o en el equipo para advertirle sobre peligros o para llamar su atención sobre cierta información que clarifica o simplifica un procedimiento.



La adición de cualquiera de estos símbolos a una etiqueta de seguridad de "Peligro" o "Advertencia" indica la existencia de un peligro eléctrico que podrá causar lesiones personales si no se siguen las instrucciones.



Este es el símbolo de alerta de seguridad. Se usa para avisar sobre peligros de lesiones personales. Respete todos los mensajes de seguridad con este símbolo para evitar posibles lesiones o la muerte.

<b>⚠️⚠️ PELIGRO</b>
<b>PELIGRO</b> indica una situación de peligro que, si no se evita, <b>podrá causar</b> la muerte o lesiones serias.
<b>⚠️ ADVERTENCIA</b>
<b>ADVERTENCIA</b> indica una situación peligrosa que, si no se evita, <b>puede causar</b> la muerte o lesiones graves.
<b>⚠️ PRECAUCIÓN</b>
<b>PRECAUCIÓN</b> indica una situación peligrosa que, si no se evita, <b>puede causar</b> lesiones menores o moderadas.
<b>AVISO</b>
<b>AVISO</b> se usa para abordar prácticas no relacionadas con lesiones físicas.

**NOTA:** Proporciona información adicional para clarificar o simplificar un procedimiento.

## Observe que

Solamente el personal calificado con especialización en electricidad deberá instalar, hacer funcionar y prestar servicios de mantenimiento al equipo eléctrico. Schneider Electric no asume responsabilidad alguna por las consecuencias que surjan de la utilización de este material.

Una persona calificada es aquella que tiene destreza y conocimiento técnico relacionado con la construcción, instalación y funcionamiento del equipo eléctrico; asimismo, esta persona ha recibido capacitación sobre seguridad con la cual puede reconocer y evitar los riesgos involucrados.

Los equipos eléctricos deben transportarse, almacenarse, instalarse y operarse únicamente en el entorno para el que fueron diseñados.

## Requisitos de envío y almacenamiento

Este equipo no alcanza su clasificación hasta que se instale según los planos de registro/construcción, se instale según las instrucciones contenidas en este documento y se le realicen controles ambientales operativos con la configuración adecuada para ayudar a mitigar las influencias ambientales. Este equipo también puede almacenarse en un área con clima controlado que use calefacción y refrigeración para mantener condiciones ambientales aceptables. Los equipos con clasificación para interiores y exteriores no son adecuados para el almacenamiento al aire libre.

- El equipo debe tratarse como si estuviera almacenado hasta que esté instalado y en funcionamiento. El área de almacenamiento debe estar limpia, seca (75 % o menos de humedad relativa), con clima controlado y ventilación adecuada.
- Para mantener el equipo seco, en algunos casos, se requiere el uso de calefactores (por ejemplo, durante temporadas o períodos bajos de carga eléctrica y desenergización del equipo).
  - Consulte al ingeniero responsable para conocer los ajustes de control ambiental adecuados o los medios para mitigar las influencias ambientales.
  - Si así equipado, asegúrese de que los termostatos y/o humidistatos estén configurados para mitigar la condensación. Se sugiere un mínimo de vatios de calor por sección, véase la tabla siguiente.

Valor nominal en amperes	Potencia de calor
30 a 200	5
400	25
600 a 800	50
1200	100

- Si con el equipo se utilizan calefactores no incluidos por Schneider Electric, deben estar limpios y libres de residuos y grasa. Los calefactores con grasa y/o humeantes pueden contaminar el aislamiento eléctrico y provocar rupturas dieléctricas y/o su deterioro.
- El embalaje de envío no es adecuado para el almacenamiento del equipo, y no puede utilizarse por sí solo para ese fin, a menos que se indique lo contrario en la etiqueta del embalaje de envío.
- Al recibir el equipo, es posible que esté a una temperatura más baja que la temperatura del aire ambiente. Deje que la temperatura del equipo, incluida la temperatura de los componentes internos, se eleve a la temperatura del aire ambiente antes de abrir o alterar el embalaje. Si el aire caliente entra en contacto con las superficies frías del equipo puede producirse condensación sobre el equipo y dentro de él. Pueden producirse daños por humedad, lo que destruiría las capacidades dieléctricas del equipo y lo dejaría inutilizable.
- La envoltura de envío de fábrica que protege al equipo en las paletas de envío no es adecuada para el transporte abierto por carretera, ya que corre el riesgo de exponer el equipo a la interperie. La envoltura de envío de fábrica que protege al equipo debe permanecer colocada hasta que esté listo para la inspección y almacenamiento o inspección e instalación. Después de recibir el equipo, y esperar a que se aclimate al medio ambiente, retire el embalaje e inspecciónelo para descartar la presencia de daños que puedan haberse producido durante el transporte. Si se encuentran o sospechan daños, presente inmediatamente una reclamación al transportista y notifique a su representante de Schneider Electric.
- Siga estas pautas cada vez que el equipo se traslade a una nueva ubicación de almacenamiento o a su destino final.



## Requisitos de instalación y operación

Este equipo no alcanza sus valores nominales hasta que se instale según los planos de registro/construcción, se instale según las instrucciones contenidas en este documento y se le realicen controles ambientales operativos con la configuración adecuada para ayudar a mitigar las influencias ambientales. Este equipo también puede operar en un área con clima controlado que use calefacción y refrigeración para mantener condiciones ambientales aceptables. Los equipos con clasificación para interiores y exteriores no son adecuados para el almacenamiento al aire libre. En algunos casos (como el de la carga eléctrica estacional, el equipo desenergizado y las fuentes de energía alternativas o de reserva), el calor generado por la carga del equipo es insuficiente para evitar la condensación y se requieren fuentes de calor alternativas. Si se utilizan controles ambientales, como un termostato o un humidistato, asegúrese de que la configuración sea suficiente para mitigar la condensación y permanecer operativos en todo momento. Consulte al ingeniero responsable para conocer los ajustes de control ambiental adecuados.

## Información de la propuesta 65



**ADVERTENCIA:** Este producto puede exponerlo a químicos, incluidos plomo y compuestos de plomo, que en el estado de California son conocidos por causar cáncer y defectos de nacimiento, así como otros daños reproductivos. Para obtener más información, visite [www.P65Warnings.ca.gov](http://www.P65Warnings.ca.gov).

## Exposición a la humedad, a productos químicos y a la condensación

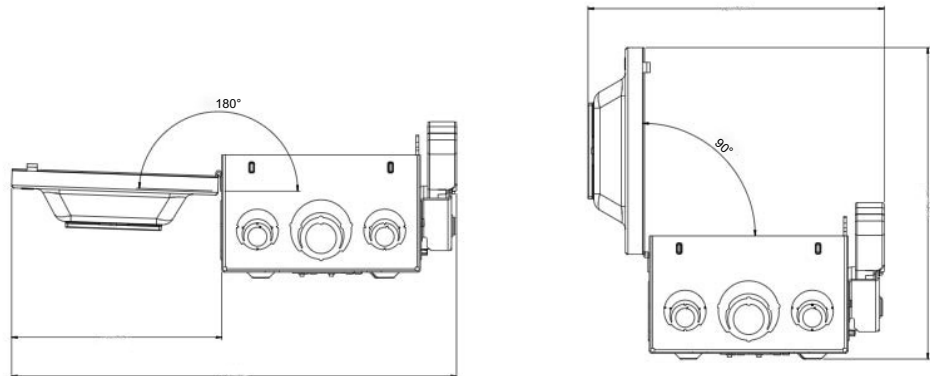
Si algún líquido, como humedad, sustancias químicas y condensación, entra en contacto con elementos electrónicos, el interruptor de la caja moldeada, los fusibles, las barras colectoras u otros componentes eléctricos, no intente limpiar ni reparar el equipo, ya que podría ocasionar daños irreparables. Si el equipo está energizado, desenergícelo. Si el equipo está desenergizado, no lo energice. Póngase en contacto con el Centro de atención al cliente de Schneider Electric llamando al 888-778-2733.

# Instalación

## Montaje

Los interruptores de seguridad se someten a pruebas de funcionamiento y de clasificación de gabinetes ambiental en posición vertical, con ON en posición hacia arriba.

Compruebe siempre en los planos el espacio necesario para cada interruptor de seguridad. Hay que tener en cuenta el espacio ocupado y el radio de oscilación de la puerta.



# Certificaciones sísmicas

## Instalación del equipo para aplicaciones sísmicas

### Introducción

La certificación sísmica es una característica opcional para los productos de interruptores de seguridad y proporciona opciones de conformidad sísmica con cualquiera de los códigos de construcción y las normas de diseño sísmico identificadas en la Lista de códigos de construcción y normas de diseño sísmico regionales compatibles., página 10. Los interruptores de seguridad con certificación sísmica se certificaron conforme a los requisitos sísmicos del código que figura en la lista del Certificado de Cumplimiento de Normas (CoC) del fabricante. Las etiquetas de cumplimiento del equipo y los CoC se proporcionan con todos los interruptores de seguridad con certificación sísmica. Consulte el CoC del equipo para conocer los detalles de certificación y los parámetros antisísmicos vigentes. Para mantener la validez de esta certificación, se deberán seguir las instrucciones de instalación delineadas en esta sección.

**Tabla 1 - Lista de códigos regionales de construcción y normas de diseño sísmico compatibles**

País/región	ID de referencia de código	Nombre de código
Argentina	INPRES-CIRSOC103	Estándares argentinos para construcciones resistentes a terremotos
Australia	AS 1170.4-2007 (R2018)	Acciones de diseño estructural, parte 4: Acciones sísmicas en Australia
Canadá	NBCC	Código nacional de construcción de Canadá
Chile	NCh 433.Of1996	Diseño resistente a terremotos de edificios
China	GB 50011--2010(2016)	Código para diseño sísmico de edificios
Colombia	NSR-10 Título A	Norma Colombiana de Construcción Resistente a Terremotos
Europa	Eurocódigo 8 EN1998-1	Diseño de estructuras para resistencia a terremotos, parte 1: Reglas generales, acciones sísmicas y reglas para edificios
India	IS 1893 (Parte 1): 2016	Criterios para el diseño resistente a terremotos de estructuras, parte 1 Disposiciones generales y edificios
Indonesia	SNI 1726:2019	Procedimientos de planificación de resistencia sísmica para estructuras edilicias y no edilicias
Japón	Ley de normas de construcción	La ley de normas de construcción de Japón
México	CFE MDOC-15	Manual de diseño de obras civiles, diseño de terremotos
Nueva Zelanda	NZS 1170.5:2004+A1	Acciones de diseño estructural, parte 5: Acciones sísmicas: Nueva Zelanda
Perú	N.T.E. - E.030	Código de construcción nacional, diseño resistente a terremotos
Rusia	СП 14.13330.2018	Normas y regulaciones de construcción: Construcción en regiones sísmicas
Arabia Saudita	SBC 301	Código de construcción saudita, cargas y requisitos de fuerzas
Taiwán	CPA 2011	Código de diseño sísmico y comentarios para edificios
Turquía	TBEC-2018	Norma antisísmica para edificios en Turquía
Estados Unidos	IBC según ASCE 7	Código Internacional de Construcción: IBC
	CBC según ASCE 7	Código de Normas de Construcción de California: CBC
	UFC según DoD	Criterios Uniformes para Instalaciones: UFC

### Responsabilidad con respecto a la reducción de daños por actividad sísmica

El equipo del interruptor de seguridad se considera un componente no estructural del edificio, según lo definido por los códigos de construcción regionales y las normas de diseño sísmico. La capacidad de los equipos se determinó a partir de los resultados de las pruebas sísmicas triaxiales en mesa de sacudidas, de conformidad con los Criterios de aceptación para la certificación sísmica mediante pruebas en mesa de

sacudidas de componentes no estructurales (ICC-ES AC156) del Servicio de Evaluación del Consejo Internacional de Codificación (ICC ES).

Se asume un factor de importancia del equipo,  $I_p$ , que es mayor que uno ( $I_p > 1.0$ ) e indica que se requiere la funcionalidad del equipo después de un evento sísmico y después de las pruebas de simulación sísmica. Este factor de importancia se aplica a los sistemas sísmicos designados (es decir, certificación especial) que prestan servicio a infraestructuras críticas y edificios esenciales en los que la funcionalidad de los equipos tras el terremoto es un requisito.

Las barras, cables y el tubo Conduit de entrada y salida también deben considerarse sistemas relacionados pero independientes. Estos sistemas de distribución deben estar diseñados y restringidos para resistir las fuerzas generadas por el evento sísmico sin aumentar la carga transferida a los equipos. Para aplicaciones en las que exista riesgo sísmico, es preferible que la barra colectora, el cable y el tubo Conduit entren y salgan por la parte inferior del gabinete del equipo.

La certificación sísmica de componentes y equipos no estructurales por parte de Schneider Electric es solo un eslabón en toda la cadena de responsabilidad requerida para maximizar la probabilidad de que el equipo esté intacto y funcional después de un evento sísmico. Durante un evento sísmico, el equipo debe tener la capacidad de transferir las cargas de inercia que se crean y reaccionan a través del sistema de resistencia a la fuerza y del anclaje del equipo a la ruta de carga del sistema estructural o cimiento del edificio.

Para validar la conformidad sísmica, se requiere el anclaje del equipo, es decir, soportes y accesorios no estructurales, a la estructura principal del edificio o a los cimientos. El ingeniero estructural de la obra o ingeniero de registro (EOR) o el profesional de diseño registrado (RDP) es responsable de detallar los requisitos de anclaje del equipo para la instalación dada. El instalador y los fabricantes del sistema de anclaje son responsables de garantizar el cumplimiento de los requisitos de montaje. Schneider Electric no asume responsabilidad por las especificaciones y funcionamiento de los sistemas de anclaje de equipos.

### **Puntos de sujeción para equipos rígidos de montaje en pared**

El gabinete del equipo proporciona puntos de sujeción de anclaje para incorporar accesorios de anclaje a la estructura del edificio o a los cimientos. Los gabinetes de interiores proporcionan agujeros de paso en el marco de la base del gabinete para los accesorios de anclaje atornillados, los gabinetes de exteriores proporcionan agujeros de paso en el marco de la base del gabinete para los accesorios de anclaje atornillados. Obtenga los planos para las ubicaciones reales.

Las instalaciones de equipos de interruptores de seguridad individuales e independientes deben anclarse utilizando todos los puntos de sujeción del gabinete, como se muestra en los dibujos para aplicaciones en interiores y exteriores respectivamente.

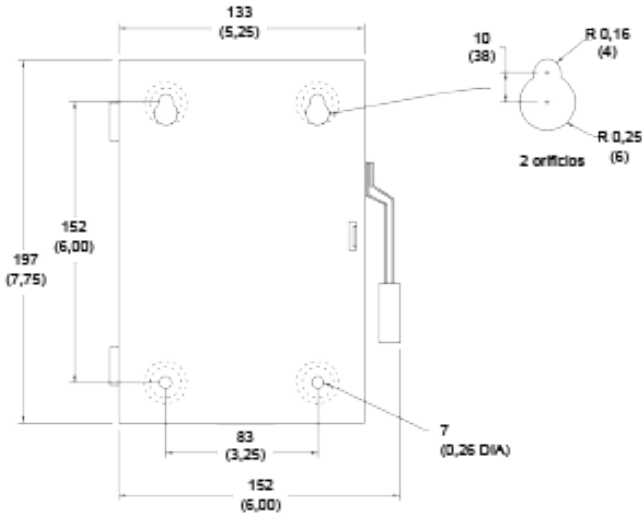
Las instalaciones de equipos que utilizan soportes y accesorios soldados en lugar de soportes y accesorios atornillados deben asegurarse de que los puntos de soldadura se distribuyan de manera similar a las ubicaciones de los orificios de separación de anclaje del gabinete. Los soportes y los accesorios soldados deben tener el tamaño adecuado para garantizar que la capacidad de resistencia de la soldadura supere la demanda sísmica en el lugar de instalación del equipo. Se deben tomar precauciones para ventilar y proteger correctamente el gabinete del equipo durante el proceso de soldadura en campo. Schneider Electric no se hace responsable de los daños causados a los equipos por soportes y accesorios soldados en campo.

### **Instrucciones para montar el anclaje**

El ensamble de anclaje atornillado ilustra la fijación del equipo, tal y como se probó, al dispositivo de prueba de la mesa de sacudidas sísmicas. La capacidad nominal sísmica del equipo, como se indica en el CoC de Schneider Electric, se alcanzó con el tamaño y el grado de los accesorios de fijación identificados. Los detalles de fijación y soporte de los equipos instalados en campo deberán estar de acuerdo con los requisitos del sistema de anclaje definidos por el Ingeniero de Registro de la obra (EOR) o el Profesional de Diseño Registrado (RDP).

Tabla 2 - Anclaje según prueba

**Interruptores de seguridad de trabajo ligero**

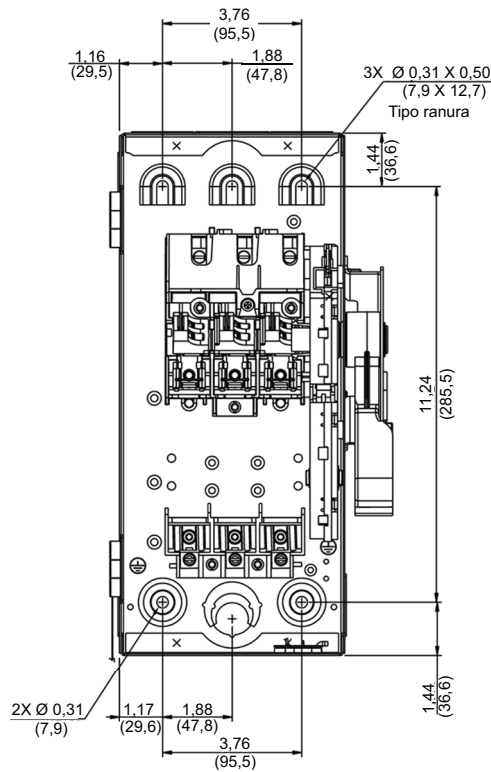


Tipo 1 - 30 A

Pernos de 1/4 pulg de grado 5 y arandela plana en cuatro puntos, par de apriete de 8 pies-lb

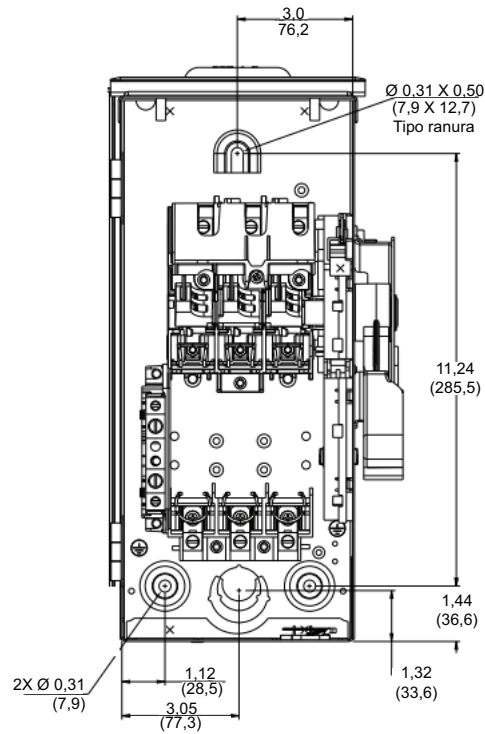
Dimensiones: pulg/(mm)

**Servicios generales y servicios pesados - Tiro simple y doble**



Tipo 1 30 A 240 V/600 V Tipo 60 A 240 V

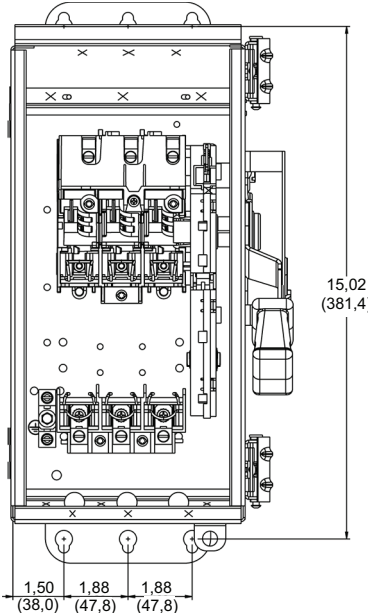
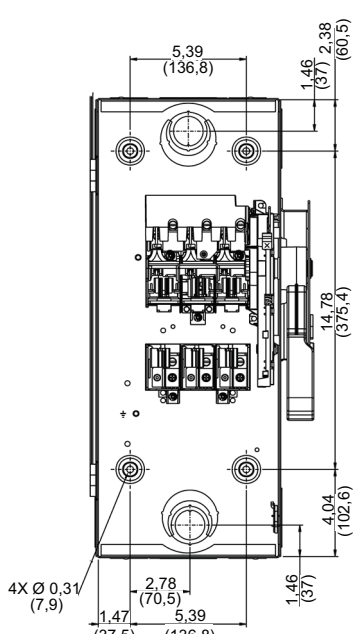
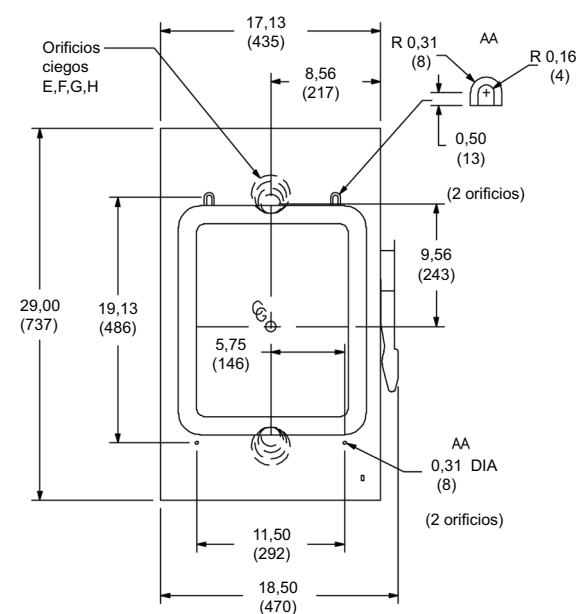
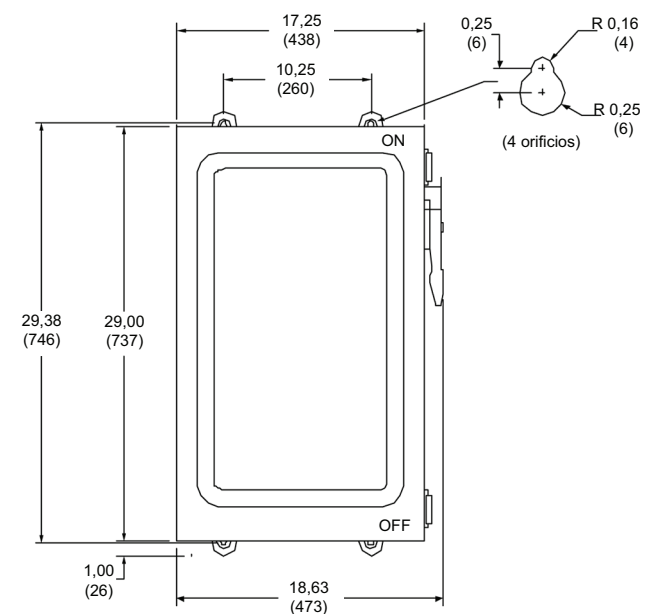
Pernos de 1/4 pulg grado 5 y arandela plana en tres puntos, par de apriete de 7 ft-lb Las ubicaciones son la superior central y las dos inferiores.



Tipo 3R 30 A 240 V / 600 V Tipo 60 A 240 V

Pernos de 1/4 pulg grado 5 y arandela plana en tres puntos, par de apriete de 7 ft-lb

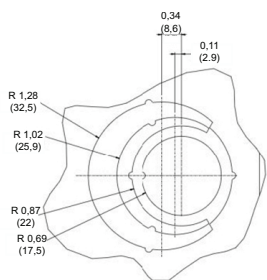
**Tabla 2 - Anclaje según prueba (Continuación)**

 <p>Tipo 12 y Tipo 4X 30, 60, 100 A 240 V / 600 V</p> <p>Pernos de 1/4 pulg grado 5 y arandela plana en cuatro puntos, par de apriete de 7 ft-lb Orificios exteriores superior e inferior.</p>	 <p>Tipo 1 y Tipo 3R 60 A 240 V 100 A 240 V / 600 V</p> <p>Pernos de 1/4 pulg grado 5 y arandela plana en cuatro puntos, par de apriete de 7 ft-lb</p>
 <p>Tipo 1 y Tipo 3R 200 A 240 V / 600 V</p> <p>Pernos de 1/4 pulg grado 5 y arandela plana en cuatro puntos, par de apriete de 7 ft-lb</p>	 <p>Tipo 12 y Tipo 4X 100 y 200 A 240 V / 600 V</p> <p>Pernos de 1/4 pulg grado 5 y arandela plana en cuatro puntos, par de apriete de 7 ft-lb</p>

**Tabla 2 - Anclaje según prueba (Continuación)**

<p>Orificios de montaje de chavetas (4) 0,44/0,88 DIA (11) / (22)</p> <p>27,63 (702)</p> <p>50,25 (1276)</p> <p>32,00 (813)</p> <p>9,30 (236)</p> <p>17,45 (443)</p> <p>27,63 (702)</p> <p>NEMA de tipo 1 Sin orificios ciegos</p>	<p>39,5 (1003)</p> <p>38,0 (965)</p> <p>27,6 (700)</p> <p>Ancho de la puerta</p> <p>1,0 (25)</p> <p>3,0 (76)</p> <p>Provisiones para cerrar la puerta con candado</p> <p>Palanca</p> <p>45,0 (1143)</p> <p>12,0 (305)</p> <p>36,0 (914)</p> <p>Tornillos mariposa para mantener la puerta cerrada</p> <p>Área del tubo conduit superior e inferior 35,50 (902)</p> <p>36,0 (914)</p> <p>36,62 (930)</p> <p>(Incluidos los tornillos)</p>
<p>Tipo 1 y Tipo 3R 400, 600, 800, 1200 A 240 V / 600 V</p> <p>Pernos de 3/8 pulg grado 5 y arandela plana en cuatro puntos, par de apriete de 25 ft-lb</p>	<p>Tipo 12 y Tipo 4X: 400, 600, 800, 1200 A 240 V / 600 V</p> <p>Pernos de 7/16 pulg grado 5 y arandela plana en cuatro puntos, par de apriete de 40 ft-lb</p>

## Extracción de los orificios ciegos



1. Determine el tamaño requerido.
2. Retire primero el orificio ciego más pequeño.  
Pase a través del punto de soldadura y aplique fuerza para soltar el orificio ciego. A continuación, engarce el orificio ciego y gírelo hasta extraerlo.
3. Extracción del segundo anillo completo del orificio ciego.  
Dos soldaduras por puntos situadas una frente a otra. A 90° de cada punto de soldadura, aplique fuerza para aflojar cada lado. A continuación, pellizque los dos lados y aplique fuerza rotatoria hasta retirarlos.
4. Extracción del anillo parcial del orificio ciego.  
A 90° desde cualquiera de los puntos de soldadura y aplique fuerza para aflojar el lado. El lado parcial aplica fuerza sobre cada parte parcial del orificio ciego. Pellizque las tres piezas y aplique fuerza rotatoria hasta retirarlas.
5. Repita los pasos 3 y 4 hasta obtener los requisitos del lado de los orificios ciegos.

### Entrada del tubo Conduit

Puede ser necesario taladrar los gabinetes para crear ubicaciones de entrada del tubo Conduit. Proteja los componentes internos contra empastes metálicos, mediante manteles abatibles u orientación de la perforación, para evitar que materiales extraños entren en contacto con puntos de conexiones eléctricas. Un ejemplo de punto de conexión son las zapatas, las cuchillas o los clips para fusibles.

Localice entradas para el tubo Conduit a fin de cumplir con los requisitos de radio de curvatura para conductores.



## Clasificación de gabinetes

Todos los gabinetes de Schneider Electric están certificados según la norma UL 50/ CSA C22.2 n.º 94.1 y UL 50E/CSA C22.2 n.º 94.2 con una clasificación de tipo UL. Las clasificaciones son iguales o mayores que las clasificaciones NEMA del mismo número.

**Tabla 3 - Clasificación de gabinetes**

Tipo	Información sobre orificios ciegos
Tipo 1 uso general para interiores (pintura gris ANSI49 en acero laminado en frío)	Se incluyen los orificios ciegos estándar en los gabinetes de 30 a 100 A; parte superior, inferior y laterales
Tipo 3R impermeable para exteriores (ANSI49 pintura gris sobre acero galvanizado)	Se incluyen los orificios ciegos estándar en los gabinetes de 30 a 100 A; parte inferior y laterales
Tipo 12 para interiores, hermético al polvo y al goteo (pintura gris ANSI49 sobre acero galvanizado)	El tipo 12 no tiene orificios ciegos (también apto para uso exterior tipo 3R)
Tipo 4, 4X y 5 para interiores o exteriores, impermeables, herméticos al polvo y resistentes a la corrosión (acero inoxidable Tipo 304 o Tipo 316)	—
Tipo 4X para interiores o exteriores, hermético al agua y al polvo y resistente a la corrosión (poliéster reforzado con fibra de vidrio)	—
Tipo 7/9 para ubicaciones peligrosas, según se definen en el Artículo 500 (aluminio fundido libre de cobre) del NEC®.	Clase I, divisiones 1 y 2, grupos C y D
	Clase II, Divisiones 1 y 2, Grupos E, F y G
	Clase III, Divisiones 1 y 2
Tipo 3R: 800 y 1200 A de alta resistencia se envía como gabinete tipo 5, tornillo de goteo removido para aplicaciones tipo 3	—
Tipo 12: se puede utilizar para aplicaciones tipo 3R al quitar el tornillo de goteo	—

# Interruptores de seguridad con fusible

**Tabla 4 - Valores nominales para fusibles**

Clase	Fusible de cartucho	Valor nominal en amperes
<b>Interruptores de seguridad de trabajo ligero</b>		
Tapón	Cortocircuito de 10 kA	30
<b>Interruptores de seguridad para servicio general y ligero con fusibles de cartucho de fábrica</b>		
H	Cortocircuito de 10 kA	30 a 600
K	Cortocircuito de 10 kA	30 a 600
R	Cortocircuito de 10 kA	30 a 600
	Cortocircuito de 100 kA <sup>1</sup>	30 a 600
T	Cortocircuito de 100 kA	800
		400 y 600 <sup>2</sup>
<b>Interruptores de seguridad de servicio pesado de los fusibles de cartucho de fábrica</b>		
H	Cortocircuito de 10 kA	30 a 600
K	Cortocircuito de 10 kA	30 a 600
R	Cortocircuito de 10 kA	30 a 600
	Cortocircuito de 200 kA <sup>1</sup>	30 a 600
L	Cortocircuito de 200 kA	800 a 1200
<b>Interruptores de seguridad modificados en campo</b>		
<b>Servicio general</b>		
J	Cortocircuito de 100 kA	30 a 600
<b>Servicio pesado</b>		
J	Cortocircuito de 200 kA	De 100 a 200 <sup>3</sup>
		De 30 a 400 <sup>4</sup>
		600 <sup>5 6</sup>

**NOTA:** Los valores nominales AIC corresponden a la combinación de interruptor, fusible y/o clip de rechazo.

**Tabla 5 - Valores nominales de clase UL para fusibles**

Clase	Tensión	Valor nominal máximo de interrupción
<b>Fusibles limitadores de corriente</b>		
R	250 VCA	200,000 A rms simétricos
	600 VCA	
	300 VCC	
	600 VCC	
<b>Terminales modificados para proporcionar la función de rechazo</b>		
J	600 VCA	200,000 A rms simétricos

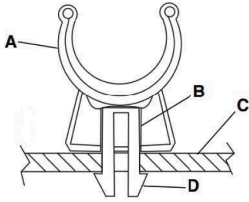
1. Clips de rechazo de clase R instalados en el campo.
2. Especial de fábrica.
3. 240 V
4. 600 V
5. 240 V o 600 V
6. Requiere kit H600J.

**Tabla 5 - Valores nominales de clase UL para fusibles (Continuación)**

Clase	Tensión	Valor nominal máximo de interrupción
T	300 VCA	200,000 A rms simétricos
	600 VCA	200,000 A rms simétricos
	125 VCC	200,000 A rms simétricos
	300 VCC	200,000 A rms simétricos
L	600 VCA	CA: 200,000 A rms simétricos
		CC: 50,000 A
	600 VCC	CC: 100,000 A
		CC: 200,000 A
K	250 VCA	50,000 A rms simétricos
	600 VCA	100,000 A rms simétricos
		200,000 A rms simétricos
<b>Fusibles no limitadores de corriente</b>		
H	250 VCA	10,000 A rms simétricos
	600 VCA	
Tapón	125 VCA	10,000 A rms simétricos

## Kits de clips de rechazo de clase R

Se requiere para obtener la clasificación completa de los fusibles de Clase R, sin clips la clasificación del sistema se reduce a 10 kAIC, ya que el interruptor puede tener Clase H o Clase K todavía instalado.



Valor nominal en amperes	Tensión nominal	Catálogo de kits
30	240 V	RFK03L
30	600 V	RFK03H
30 <sup>7</sup>		RFK06
30 <sup>8</sup>		RFK06
60	240 V	RFK03H
60	600 V	RFK06H
100	240 V y 600 V	RFK10
200		RFK1020
400		RFK4060
600		RFK4060

1. Desconecte (O) todas las fuentes de alimentación del interruptor y siga los procedimientos de bloqueo y etiquetado.

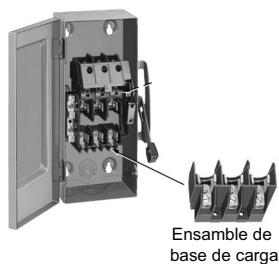
**NOTA:** Cada fusible tiene provisiones de rechazo en un solo extremo. Las orejas del adaptador encajan en las pequeñas ranuras de la base moldeada, cerca del clip fusible (A) del extremo de la línea.

2. Empuje firmemente el adaptador del fusible (B) en la ranura de la base moldeada (C) con la parte circular hacia la ranura de cada lado del clip del fusible. Asegúrese de que las orejas (D) del adaptador encajen en la base para que el adaptador no pueda retirarse.
3. Consulte los Kits de clips de rechazo de clase R para obtener más información.

**NOTA:** Los fusibles de clase J requieren mover el ensamble de la base de carga a los orificios marcados en los dispositivos. 600 A también requiere kit: H600J.

7. Cuatro polos  
8. Con receptáculo

## Desplazamiento del ensamble de base de carga



1. Retire los dos tornillos de montaje (se pueden utilizar para volver a montar) que tienen la base de carga situada para los fusibles de tipo H, K y R.
2. Alinee la base de carga para la ubicación de montaje de los fusibles tipo J.
3. Utilice tornillos para volver a colocar la base de carga. Consulte la siguiente tabla para obtener el valor de par de apriete adecuado.

Amperaje	Torque de apriete
30 A	De 20 a 30 lb-in (2.26-3.39 N•m).
60 A	De 25 a 35 lb-in (2.82-3.95 N•m).
100 A	
200 A	De 30 a 50 lb-in (3.39-5.65 N•m).
400 A	De 55 a 60 lb-in (6.21-6.78 N•m).
600 A	

# Corriente nominal de cortocircuito del interruptor de seguridad sin fusibles

Tabla 6 - Interruptores de seguridad sin fusibles, NEMA tipo 7/9 SCCR 10 kAIR de 600 VCA máximo

Capacidad del interruptor (A)	Tipo de fusible o interruptor <sup>9</sup>	240 VCA	480 VCA	600 VCA	250 VCC
<b>Valores nominales del interruptor (A)</b>	<b>Con protección de fusibles ascendentes</b>	<b>240 VCA</b>	<b>480 VCA</b>	<b>600 VCA</b>	<b>250 VCC/600 VCC</b>
TODOS	H, K	10 kA	10 kA	10 kA	Hasta 10 kA
	R, T, J, L	200 kA	200 kA	200 kA	Hasta 10 kA
<b>Valores nominales del interruptor (A)</b>	<b>Con protección de interruptor automático ascendente</b>	<b>240 VCA</b>	<b>480 VCA</b>	<b>600Y/347 VCA</b>	<b>250 VCC</b>
30, 60, 100	BD	25 kA	18 kA	14 kA	Hasta 10 kA
30, 60, 100	BG	65 kA	35 kA	18 kA	Hasta 10 kA
30, 60, 100	BJ	100 kA	65 kA	25 kA	Hasta 10 kA
30, 60, 100	BK	100 kA	65 kA	65 kA	Hasta 10 kA
<b>Valores nominales del interruptor (A)</b>	<b>Con protección de interruptor automático ascendente</b>	<b>240 VCA</b>	<b>480 VCA</b>	<b>600 VCA</b>	<b>250 VCC</b>
TODOS	Interruptor automático de cualquier marca	10 kA	10 kA	10 kA	Hasta 10 kA
30, 60, 100	HD	25 kA	18 kA	14 kA	Hasta 10 kA
30, 60, 100	HG	65 kA	35 kA	18 kA	Hasta 10 kA
30, 60, 100	HJ	65 kA	35 kA	18 kA	Hasta 10 kA
30, 60, 100	HL	65 kA	35 kA	35 kA	Hasta 10 kA
30, 60, 100	HR	65 kA	35 kA	35 kA	Hasta 10 kA
30, 60, 100	FA	14 kA	14 kA	14 kA	Hasta 10 kA
30, 60, 100	FH	18 kA	18 kA	18 kA	Hasta 10 kA
200	HD, JD	25 kA	18 kA	14 kA	Hasta 10 kA
200	HG, JG	65 kA	35 kA	18 kA	Hasta 10 kA
200	HJ, JJ	65 kA	65 kA	25 kA	Hasta 10 kA
200	HL, JL	65 kA	35 kA	35 kA	Hasta 10 kA
200	HR, JR	65 kA	35 kA	35 kA	Hasta 10 kA
400	LA	25 kA	25 kA	25 kA	Hasta 10 kA
400	LH	25 kA	25 kA	25 kA	Hasta 10 kA
400, 600	LD	25 kA	18 kA	14 kA	Hasta 10 kA
400, 600	LG	65 kA	35 kA	18 kA	Hasta 10 kA
400, 600	LJ	100 kA	65 kA	25 kA	Hasta 10 kA
400, 600	LL	100 kA	65 kA	50 kA	Hasta 10 kA
400, 600	LR	100 kA	65 kA	65 kA	Hasta 10 kA


9. La corriente nominal del fusible o interruptor no debe exceder la corriente nominal del interruptor.

## Kits de puesta a tierra

Los kits de puesta a tierra pueden instalarse en fábrica o en el campo. Para gabinetes de servicio pesado de 30 a 200 A tipo 12 y 4X e interruptores de servicio liviano de 30 A, los kits de puesta a tierra vienen instalados de fábrica como estándar.

Todas las unidades se envían con una barra de neutro conectada que viene con una terminal de puesta a tierra instalada de fábrica.

Las ubicaciones de montaje de la barra a tierra se identifican mediante el símbolo de

tierra  estampado en la pared posterior del gabinete. Conecte a tierra el gabinete según los requisitos del código.

Valor nominal en amperes	Producto	Tensión nominal CA	Kit de tierra (ALCU)	Rango de cables	Kit de tierra: solo cobre (servicio pesado)	Rango de cables
30	Servicio general	240	PK3GTA1	(3) 14 - 4 AWG CU (3) 12 - 4 AWG AL (6) 14 - 12 AWG CU (6) 12 - 10 AWG AL	N/D	—
30	Servicio pesado	240 y 600	GTK03	(2) 14 - 4 AWG CU (2) 12 - 4 AWG AL o (4) 14-12 AWG CU (4) 12-10 AWK AL	GTK03C	(2) 14 - 6 AWG CU
60	Servicio general y servicio pesado	240	GTK03	(2) 14 - 4 AWG CU (2) 12 - 4 AWG AL o (4) 14-12 AWG CU (4) 12-10 AWK AL	GTK03C	(2) 14 - 6 AWG CU
60	Servicio pesado	600	GTK0610	(2) 14 - 1/0 AWG CU (2) 12 - 1/0 AWG AL y (2) 14-6 AWG CU (2) 12-6 AWK AL	GTK0610C	(2) 14 - 1/0 AWG CU y (2) 14 - 6 AWG CU
100	Servicio general y servicio pesado	240 y 600	GTK0610	(2) 14 - 1/0 AWG CU (2) 12 - 1/0 AWG AL y (2) 14-6 AWG CU (2) 12-6 AWK AL	GTK0610C	(2) 14 - 1/0 AWG CU y (2) 14 - 6 AWG CU
200	Servicio general y servicio pesado	240 y 600	PKOGTA2	(2) 10 - 2/0 AWG CU (2) 6 - 2/0 AWG AL	PKOGTC2	(2) 14 - 4 AWG CU
400	Servicio general y servicio pesado	240 y 600	PKOGTA2	(2) 10 - 2/0 AWG CU (2) 6 - 2/0 AWG AL	PKOGTC3	(2) 14 - 1/0 AWG CU
600	Servicio general y servicio pesado	240 y 600	PKOGTA2	(2) 10 - 2/0 AWG CU (2) 6 - 2/0 AWG AL	PKOGTC3	(2) 14 - 1/0 AWG CU
800	Servicio general	240	PKOGTA3	(6) 6 - 3/0 AWG CU (6) 6 - 3/0 AWG AL	N/D	—
800	Servicio pesado	240 y 600	PKOGTA7	(4) 4 AWG - 300 kcmil CU (4) 4 AWG - 300 kcmil AL	N/D	—
1200	Servicio pesado	240 y 600	PKOGTA8	(8) 4 AWG - 300 kcmil CU (8) 4 AWG - 300 kcmil AL	N/D	—

## Ensamblados de neutro aislado

Los ensamblados de neutro aislado están disponibles como instalados de fábrica o en el campo. Todos los neutros aislados vienen con un tornillo de conexión o un puente para la instalación en el campo, lo que permite que estos elementos se utilicen en equipos de entrada en servicio en los Estados Unidos y en México.

Los **neutros aislados** instalados en fábrica se envían sin conexión. Se pueden utilizar para todas las aplicaciones en los Estados Unidos y en México. No pueden utilizarse para aplicaciones de entrada de servicio en Canadá.

El **neutro conectado** instalado en fábrica se utiliza para aplicaciones de entrada de servicio en Canadá y también puede utilizarse para aplicaciones de entrada de servicio en Estados Unidos y en México.

**NOTA:** En el caso de los dispositivos que se envían conectados de fábrica, el tornillo de conexión debe quitarse para todas las aplicaciones que no sean entrada de servicio.

Valor nominal en amperes	Producto	Tensión nominal CA	Kit de neutro (ALCU)	Rango de cables	Kit de neutro: solo cobre	Rango de cables	
30	Servicio pesado	240 y 600	SNO3	(2) 14 - 3 AWG CU (2) 14 - 3 AWG AL más tierra SVC (1) 14 - 3 AWG CU (1) 14 - 3 AWG AL	SNO3C	(2) 14 - 6 AWG CU más tierra SVC (1) 14 - 6 AWG CU	
60		240	SNO3	(2) 14 - 3 AWG CU (2) 14 - 3 AWG AL más tierra SVC (1) 14 - 3 AWG CU (1) 14 - 3 AWG AL	SNO3C	(2) 14 - 6 AWG CU más tierra SVC (1) 14 - 6 AWG CU	
60		600	SNO610	(2) 14 - 1/0 AWG CU (2) 14 - 1/0 AWG AL más tierra SVC (2) 14 - 6 AWG CU (2) 14 - 6 AWG AL	SNO610C	(2) 14 - 2/0 AWG CU más tierra SVC (3) 14 - 6 AWG CU	
100		240 y 600		SNO610	(2) 14 - 1/0 AWG CU (2) 14 - 1/0 AWG AL más tierra SVC (2) 14 - 6 AWG CU (2) 14 - 6 AWG AL	SNO610C	(2) 14 - 2/0 AWG CU más tierra SVC (3) 14 - 6 AWG CU
200				SN20A	(2) 6 AWG - 250 kcmil CU (2) 6 AWG - 250 kcmil AL más tierra SVC (2) 14 - 10 AWG CU (2) 14 - 10 AWG AL	SN20C	(2) 6 AWG - 250 KCMIL CU más tierra SVC (1) 14 - 1/0 AWG CU
400				H600SN	(2) 1 AWG - 750 kcmil CU (2) 1 AWG - 750 kcmil AL más tierra SVC (1) 4 AWG - 300 kcmil CU (1) 4 AWG - 300 kcmil AL	H600SNC	(2) 6 AWG - 600 kcmil CU and (2) 2 AWG - 350 kcmil CU más tierra SVC (1) 6 AWG - 250 kcmil CU
600				H600SN	(2) 1 AWG - 750 kcmil CU (2) 1 AWG - 750 kcmil AL más tierra SVC (1) 4 AWG - 300 kcmil CU (1) 4 AWG - 300 kcmil AL	H600SNC	(2) 6 AWG - 600 kcmil CU and (2) 2 AWG - 350 kcmil CU más tierra SVC (1) 6 AWG - 250 kcmil CU
800				H800SNE4	(6) 3/0 AWG - 750 kcmil CU (6) 3/0 AWG 750 kcmil AL más tierra SVC (2) 6 AWG - 350 kcmil CU (2) 6 AWG - 350 kcmil AL	N/D	—
1200				H1200SNE4	(8) 3/0 AWG - 750 kcmil CU (8) 3/0 AWG 750 kcmil AL más tierra SVC (2) 6 AWG - 350 kcmil CU (2) 6 AWG - 350 kcmil AL	N/D	—



## Barreras del lado de línea

Los interruptores de 30, 60, 100 y 200 A de unidades de tiro simple de servicio general y de servicio pesado están diseñados para proporcionar protección contra el contacto involuntario en las terminales entrantes. Los componentes internos cumplen con las clasificaciones IP2X y UL 869A.

Las barreras instaladas en campo están disponibles para dispositivos de 400, 600, 800 y 1200 A y, una vez instaladas, brindan protección contra contactos involuntarios en los terminales de entrada.

Amperios	Producto	Tensión nominal CA	Dos polos	Tres polos
400	Servicio pesado	240	LSBG203	LSBG203
		600	LSBG602	LSBG602
600		240	LSBG203	LSBG203
		600	LSBG602	LSBG602
800		240	LSBF202	LSBF203
		600	LSBF602	LSBF602
1200		240	LSBF202	LSBF203
		600	LSBF602	LSBF602

El aislamiento de los cables forma parte del sistema de protección contra el contacto, las siguientes tablas indican la cantidad de conductor que debe quedar expuesto.

**Tabla 7 - Interruptores de seguridad de servicio general**

Amperios	Tensión	Tira de alambre
30	240	12 mm/0.47 pulg
60		
100		15 mm/0.60 pulg
200		22 mm/0.87 pulg
400		32 mm/1.25 pulg
600		
800		

**Figura 1 - Cable pelado**



**Tabla 8 - Interruptores de seguridad de servicio pesado**

Amperios	Tensión	Tira de alambre
30	240	12 mm/0.47 pulg
60		
100		15 mm/0.60 pulg
200		22 mm/0.87 pulg
400		38 mm/1.50 pulg
600		1.50 pulg/38 mm (superior) 2.70 pulg/69 mm (inferior)
800		
1200		
30	600	12 mm/0.47 pulg
60		
100		15 mm/0.60 pulg
200		22 mm/0.87 pulg
400		38 mm/1.50 pulg
600		1.50 pulg/38 mm (superior) 2.70 pulg/69 mm (inferior)
800		
1200		

## Requisitos de entrada al servicio

### **EE. UU. y México**

Los interruptores que no se conectan en fábrica se envían aptos para su uso como equipos de servicio.

Los interruptores que se envían de fábrica con un neutro conectado son adecuados para su uso como equipo de servicio.

Para su uso en otras aplicaciones, debe quitarse el tornillo de conexión.

El gabinete debe estar puesto a tierra.

Los dispositivos requieren barreras del lado de línea.

El gabinete debe estar conectado a través de un tornillo o de un puente de unión, que una el neutro aislado al gabinete.

### **Canadá**

Los interruptores que se envían de fábrica con un neutro aislado conectado son adecuados para su uso como equipo de servicio.

El neutro aislado conectado en fábrica de Canadá puede estar desconectado y usarse para otras aplicaciones que no sean la entrada de servicio.

**NOTA:** Revise el código eléctrico CSA C22.1 Artículo 6-212 para conocer los requisitos de cableado.

# Mantenimiento

## Introducción


Los interruptores de seguridad se lubrican adecuadamente en fábrica. No obstante, puede ser necesario limpiarlos y lubricarlos periódicamente. El intervalo de mantenimiento entre engrases depende de la cantidad de uso del interruptor y de las condiciones ambientales de funcionamiento. El intervalo máximo de mantenimiento no debe exceder de un año para las piezas mecánicas o conductoras de corriente.

Para obtener información adicional, consulte la publicación NFPA 70B, “Norma para el mantenimiento de equipos eléctricos”.

## Condiciones de rendimiento inusuales

Comuníquese con Schneider Electric para obtener información sobre el rendimiento en condiciones inusuales. En la siguiente tabla se muestran ejemplos de condiciones inusuales:

Condiciones inusuales
Temperaturas ambientales por debajo de -30 °C (-22 °F) o por encima de 40 °C (104 °F)
Altitudes superiores a 2012 m (6600 ft)
Entornos corrosivos o explosivos
Vibración, choque o inclinación anormales
Funciones operativas inusuales


**PELIGRO**

**PELIGRO DE DESCARGA ELÉCTRICA, EXPLOSIÓN O DESTELLO POR ARCO ELÉCTRICO**

- Utilice el equipo de protección personal (EPP) apropiado y siga las prácticas de seguridad para trabajos eléctricos. Consulte las normas NFPA 70E, Z462 CSA o NOM-029-STPS.
- Solamente el personal eléctrico calificado deberá instalar y prestar servicio de mantenimiento a este equipo.
- Nunca opere un interruptor energizado con la puerta abierta.
- Desenergice el interruptor antes de quitar o de instalar fusibles o antes de hacer conexiones del lado de la carga.
- Utilice siempre un dispositivo detector de tensión de valor nominal adecuado en todos los clips para fusibles en los lados de línea y carga para confirmar la desenergización del interruptor.
- Desconecte las fuentes de alimentación del interruptor antes de realizar cualquier otro trabajo dentro del interruptor o fuera de él.
- No utilice fusibles de enlace renovables en interruptores con fusibles.

**El incumplimiento de estas instrucciones tendrá como resultado la muerte o lesiones graves.**

## Procedimientos de mantenimiento anuales

1. Desconecte la alimentación eléctrica del interruptor antes de realizar cualquier trabajo en su interior.
2. Abra las cuchillas del interruptor moviendo la palanca de funcionamiento a la posición OFF (O).
3. Bloquee o etiquete el interruptor, de acuerdo con los procedimientos locales.
4. Abra la puerta del gabinete.

5. Utilice siempre un dispositivo de detección de tensión con la capacidad adecuada en todos los terminales en los lados de la línea y la carga para confirmar que la alimentación está desconectada.

**NOTA:** No retire ninguna pieza del interruptor o mecanismo de operación a menos que se le indique específicamente en los siguientes procedimientos. Aspire cualquier material suelto desde el interior del interruptor. Limpie las piezas internas y el interior del gabinete con un trapo húmedo que no deje pelusas.

6. Inspeccione visualmente el interruptor para ver si encuentra piezas sueltas o herrajes:
  - a. Vuelva a apretar los herrajes según sea necesario. Consulte los valores de par de apriete en el diagrama de cableado.
  - b. No vuelva a conectar el interruptor si encuentra alguna pieza desgastada o dañada. Sustitúyalas antes de volver a suministrar corriente al interruptor.

### Desmontaje de piezas

1. Retire los supresores o protectores de arco de los interruptores aflojando los tornillos que los sujetan. Vea los ejemplos que se ofrecen.
2. Retire la grasa vieja y otros contaminantes de las mordazas del lado de la línea y de las cuchillas con un paño limpio y sin pelusa. Si el lubricante se secó, elimínelo con el Limpiador de contactos HF CRC® o equivalente, rociado sobre un paño.
3. Lubrique las áreas limpias con una película delgada de grasa BG20 Dow Corning® únicamente.

**NOTA:** No lo sustituya por ningún otro lubricante. Otros lubricantes pueden no ser adecuados para aplicaciones eléctricas y podrían alterar el rendimiento del interruptor. Dow Corning BG20 está disponible en Square D (número de pieza SWLUB).

4. Para garantizar un funcionamiento correcto, ejercite el mecanismo de accionamiento abriendo y cerrando el interruptor cinco veces con la puerta cerrada. Abra las cuchillas del interruptor.

## ▲ PRECAUCIÓN

### PELIGRO DE DAÑO AL EQUIPO

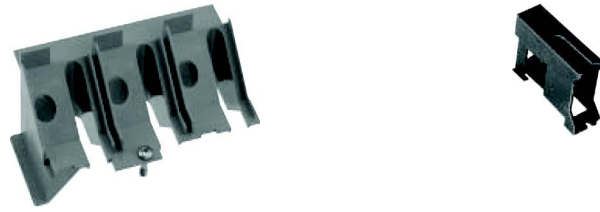
No desmonte el ensamble de la base de la línea del interruptor ni retire el rotor de la cuchilla cuando limpie la mordaza del lado de la línea o la cuchilla del interruptor. Consulte la Figura 4, página 28, Ejemplos de ensambles base de línea.

**El incumplimiento de estas instrucciones podría tener como resultado lesiones o provocar daños en el equipo.**

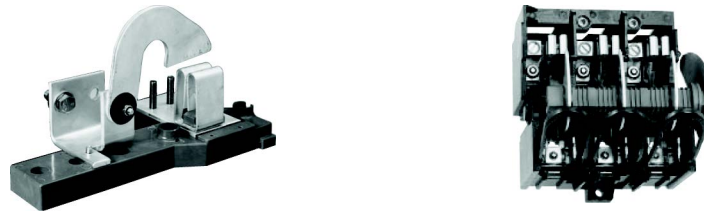
**Figura 2 - Ejemplo de supresores de arco**



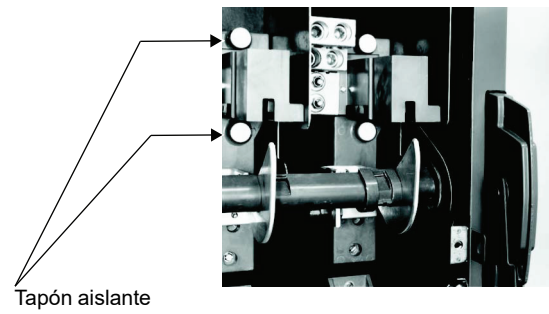
**Figura 3 - Ejemplo de escudos de arco**



**Figura 4 - Ejemplos de ensambles base de línea**



**Figura 5 - Tapones aislantes en la unidad de polos**



### Reemplazo de piezas

1. Vuelva a instalar los supresores de arco o los blindajes de arco de acuerdo con los valores de par de apriete de la tabla 9, página 29 a continuación.
2. Asegúrese de que los dos tapones aislantes de cada fase (solo de 400 a 1200 A) estén firmemente colocados. Vea la Figura 5.

**Tabla 9 - Valores de par de apriete del tornillo supresor de arco**



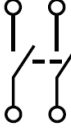

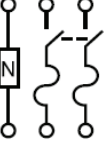
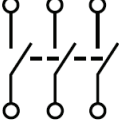
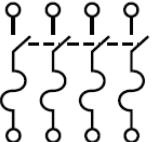
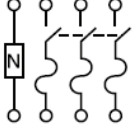
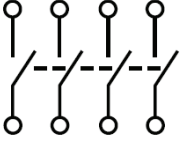
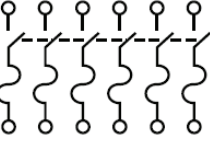
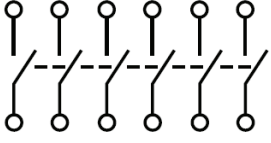
Tipo de interruptor	Valor de par de apriete
30–100 A	De 5 a 10 lb–pulg (0.57-1.13 N•m).
200 A, Serie F	De 10 a 20 lb–pulg (1.13-2.26 N•m).
200 A, Serie E	De 20 a 25 lb–pulg (2.26-2.83 N•m).
De 400 A 800 A de servicio general	De 20 a 25 lb–pulg (2.26-2.83 N•m)
De 400 A 1200 A de servicio pesado	De 30 a 40 lb–pulg (3.39-4.52 N•m)

### Vuelva a energizar el interruptor

1. Cierre y trabe la puerta.
2. Desconecte todas las cargas descendentes.
3. Conecte la alimentación del interruptor.
4. Encienda el interruptor.
5. Encienda todas las cargas descendentes.

# Diagramas de cableado

Tabla 10 - Interruptores de seguridad de tiro simple

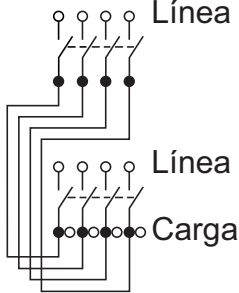
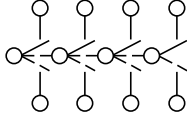
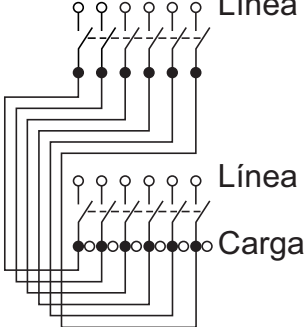
Fusible	Con fusibles con neutro	Sin fusibles
<p>Dos cables (2 cuchillas y portafusibles)</p> 	<p>Dos cables (1 cuchilla y portafusibles)</p> 	<p>Dos cables (2 cuchillas)</p> 
<p>Tres cables (3 cuchillas y portafusibles)</p> 	<p>Tres cables (2 cuchillas y portafusibles)</p> 	<p>Tres cables (3 cuchillas)</p> 
<p>Cuatro cables (4 cuchillas y portafusibles)</p> 	<p>Cuatro cables (3 cuchillas y portafusibles)</p> 	<p>Cuatro cables (4 cuchillas)</p> 
<p>Seis cables (6 cuchillas y portafusibles)</p> 	<p>—</p>	<p>Seis cables (6 cuchillas)</p> 



**Tabla 11 - Interruptores de seguridad de dos posiciones**

Fusible	Sin fusibles
<p><b>Fusible-2P</b></p>	<p><b>Sin fusible-2P</b></p>
<p><b>Fusible-3P</b></p>	<p><b>Sin fusible-2P</b></p>
<p><b>Fusible-3P</b></p>	<p><b>Sin fusible-3P</b></p>
—	<p><b>Sin fusible-3P</b></p>
—	<p><b>Sin fusible-4P</b></p>

Tabla 11 - Interruptores de seguridad de dos posiciones (Continuación)

Fusible	Sin fusibles
—	<p data-bbox="1068 233 1214 258">Sin fusible-4P</p> 
—	<p data-bbox="1068 594 1214 619">Sin fusible-4P</p> 
—	<p data-bbox="1068 772 1214 798">Sin fusible-6P</p> 

# Sustitución de la ventana de visualización de 30 a 200 A

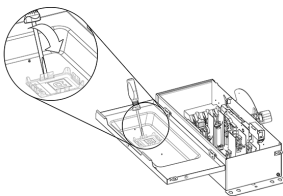
## **⚡⚠ PELIGRO**

### **PELIGRO DE DESCARGA ELÉCTRICA, EXPLOSIÓN O DESTELLO POR ARCO ELÉCTRICO**

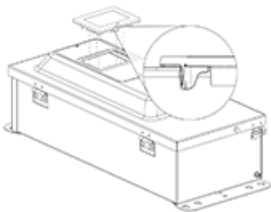
- Utilice el equipo de protección personal (EPP) apropiado y siga las prácticas de seguridad para trabajos eléctricos. Consulte las normas NFPA 70E, Z462 CSA o NOM-029-STPS.
- La instalación y el mantenimiento de este equipo deben realizarlos exclusivamente personal eléctrico calificado.
- Nunca opere un interruptor energizado con la puerta abierta.
- Apague el interruptor antes de quitar o instalar fusibles o hacer conexiones en el lado de carga.
- Utilice siempre un dispositivo de detección de tensión con la capacidad adecuada en todas las pinzas portafusibles de línea y de carga para confirmar que el interruptor está apagado.
- Desconecte el interruptor de alimentación antes de realizar cualquier otro trabajo en el interruptor o en su interior.
- No utilice fusibles de enlace renovables en interruptores con fusibles.

**El incumplimiento de estas instrucciones tendrá como resultado la muerte o lesiones graves.**

**Figura 6 -  
Desenganche el  
gancho de presión de  
la cubierta**



**Figura 7 - Ganchos de  
presión en su lugar**



1. Desconecte la alimentación eléctrica del interruptor antes de realizar cualquier trabajo en su interior.
2. Abra las cuchillas del interruptor moviendo la palanca de funcionamiento a la posición OFF (O).
3. Bloquee o etiquete el interruptor, de acuerdo con los procedimientos locales.
4. Abra la puerta del gabinete.
5. Utilice siempre un dispositivo de detección de tensión con la capacidad adecuada en todos los terminales de línea y de carga para confirmar que la alimentación está desconectada.
6. Desde el interior de la cubierta frontal, utilice un destornillador para desenganchar el gancho de presión de la cubierta y empuje la ventana hacia afuera (hágalo en todas las ubicaciones del broche). Vea la Figura 6, página 33.
7. Centre la nueva ventana en la abertura.
8. Aplique la misma fuerza sobre la ventana para que encaje en su lugar.
9. Confirme que los ganchos de presión estén correctamente colocados. Vea la Figura 7, página 33.
10. Cierre la puerta. Realice los procedimientos de bloqueo o etiquetado necesarios. Energice, según sea necesario.



Importado en México por: **Schneider Electric México, S.A. de C.V.**  
Av. Ejército Nacional No. 904  
Col. Palmas, Polanco 11560  
México, D.F.

55-5804-5000

[www.se.com/mx](http://www.se.com/mx)

Debido a que las normas, las especificaciones y el diseño cambian de vez en cuando, solicite confirmación de la información brindada en esta publicación.

© 2023–2024 – **Schneider Electric**. Reservados todos los derechos

GEX75737

# Manuel de l'utilisateur des interrupteurs de sécurité Square D™

## Directives d'utilisation

GEX75737, Rév. 01

Date de publication 09/24



# Information juridique

Les informations fournies dans ce document contiennent des descriptions, des caractéristiques techniques et/ou des recommandations concernant des produits/solutions.

Ce document n'est pas destiné à remplacer une étude détaillée ou un plan de développement ou de représentation opérationnel et propre au site. Il ne doit pas être utilisé pour déterminer l'adéquation ou la fiabilité des produits/solutions pour des applications utilisateur spécifiques. Il incombe à chaque utilisateur individuel d'effectuer, ou de faire effectuer par un professionnel de son choix (intégrateur, spécificateur ou équivalent), l'analyse de risques complète appropriée ainsi que l'évaluation et les tests des produits/solutions par rapport à l'application ou l'utilisation particulière envisagée.

La marque Schneider Electric et toutes les marques de commerce de Schneider Electric SE et de ses filiales mentionnées dans le présent guide sont la propriété de Schneider Electric SE et de ses filiales. Toutes les autres marques peuvent être des marques de commerce de leurs détenteurs respectifs.

Le présent document et son contenu sont protégés par les lois applicables sur les droits d'auteur et sont fournis à titre d'information seulement. Aucune partie du présent document ne peut être reproduite ni transmise sous aucune forme ni par aucun moyen que ce soit (électronique, mécanique, photocopie, enregistrement ou autre), à toute fin, sans l'autorisation écrite préalable de Schneider Electric.

Schneider Electric n'accorde aucun droit ni aucune licence pour l'utilisation commerciale du présent document, sauf une licence non exclusive et personnelle pour le consulter sur une base « tel quel ».

Schneider Electric se réserve le droit d'apporter à tout moment des modifications ou des mises à jour relatives au contenu de ce document ou à son format, sans préavis.

**Dans la mesure autorisée par les lois applicables, aucune responsabilité n'est assumée par Schneider Electric et ses filiales pour toute erreur ou omission dans le contenu informatif de la présente documentation, ni pour toute conséquence découlant de l'utilisation de l'information contenue ici ou causée par celle-ci.**

---

# Table des matières

Informations de sécurité .....	5
Veuillez noter .....	6
Expédition et entreposage .....	6
Exigences d'installation et d'utilisation du compteur .....	8
Informations relatives à la Proposition 65 .....	8
Exposition à l'humidité, aux produits chimiques et à la condensation .....	9
Installation .....	10
Montage .....	10
Certifications sismiques .....	11
Retrait des débouchures .....	16
Indices de protection .....	17
Interrupteurs de sécurité à fusible .....	18
Kits de clips de rejet de Classe R .....	20
Déplacement de l'ensemble d'embase de charge .....	21
Courant de court-circuit nominal des interrupteurs de sécurité sans fusible .....	22
Kits de m.à.l.t. ....	23
Ensembles de neutre isolé .....	24
Barrières côté ligne .....	26
Exigences pour l'entrée de la distribution .....	28
Entretien .....	29
Schémas de câblage .....	33
Remplacement de la fenêtre d'observation 30-200 A .....	36





## Informations de sécurité

Lire attentivement ces directives et examiner l'appareillage pour vous familiariser avec son fonctionnement avant d'effectuer son installation ou son entretien. Les messages spéciaux suivants peuvent apparaître dans le présent manuel ou sur l'appareil pour avertir l'utilisateur de dangers potentiels ou pour attirer l'attention sur des informations qui clarifient ou simplifient une procédure.



L'ajout d'un de ces deux symboles à une étiquette de sécurité de « Danger » ou d'« Avertissement » indique qu'un danger électrique existe et qu'il peut entraîner des blessures corporelles si les directives ne sont pas respectées.



Ceci est le symbole d'alerte de sécurité. Il est utilisé pour vous alerter de dangers de blessures corporelles potentielles. Veuillez vous conformer à tous les messages de sécurité qui suivent ce symbole pour éviter une blessure ou la mort.

### **DANGER**

**DANGER** indique une situation de danger imminent qui, si elle n'est pas évitée **entraînera** la mort ou des blessures graves.

### **AVERTISSEMENT**

**AVERTISSEMENT** indique une situation de danger potentiel qui, si elle n'est pas évitée, **peut entraîner** la mort ou des blessures graves.

### **ATTENTION**

**ATTENTION** indique une situation de danger potentiel qui, si elle n'est pas évitée, **peut entraîner** des blessures mineures ou modérées.

### **AVIS**

**AVIS** est utilisé pour commenter des pratiques sans rapport avec les blessures physiques.

**REMARQUE:** Fournit des renseignements complémentaires pour clarifier ou simplifier une procédure.

## Veillez noter

Seul du personnel qualifié doit effectuer l'installation, l'utilisation, l'entretien et la maintenance du matériel électrique. Schneider Electric n'assume aucune responsabilité des conséquences éventuelles découlant de l'utilisation de cette documentation.

Une personne qualifiée est une personne disposant de compétences et de connaissances dans le domaine de la construction et du fonctionnement des équipements électriques et installations et ayant bénéficié d'une formation de sécurité afin de reconnaître et d'éviter les risques encourus.

L'équipement électrique doit être transporté, entreposé, installé et utilisé exclusivement dans l'environnement pour lequel il a été conçu.

## Expédition et entreposage

Cet équipement n'atteint ses caractéristiques nominales que s'il est installé conformément aux plans de récolement ou dessins d'ouvrage fini, et conformément aux instructions fournies dans le présent document, et s'il fait l'objet de contrôles environnementaux opérationnels avec des réglages permettant d'atténuer les influences environnementales. Cet équipement peut également être entreposé dans une zone climatisée où les conditions environnementales acceptables sont assurées par l'utilisation de chauffage ou de refroidissement, selon le cas. Les équipements classés pour utilisation intérieure et extérieure ne sont pas adaptés à un entreposage extérieur.

- L'équipement doit être considéré comme en conditions d'entreposage jusqu'à ce qu'il soit installé et opérationnel. La zone d'entreposage doit être propre, sèche (75 % ou moins d'humidité relative) et climatisée, avec une ventilation adéquate.
- Pour maintenir l'équipement au sec, l'utilisation d'appareils de chauffage sera nécessaire dans certains cas (par exemple, périodes de charges électriques saisonnières ou de faibles charges et mise hors tension de l'équipement).
  - Consulter l'ingénieur responsable du projet pour connaître les réglages du dispositif de contrôle environnemental appropriés pour atténuer les influences environnementales.
  - Si des thermostats et/ou des humidistats sont installés, ils doivent être réglés de manière à limiter la condensation. Un minimum de chaleur par section est suggéré (voir le tableau ci-dessous).

Courant nominal	Watts de chaleur
30 à 200	5
400	25
600 à 800	50
1200	100

- Tout appareil de chauffage utilisé avec l'équipement sans avoir été inclus avec l'équipement par Schneider Electric doit être nettoyé et exempt de débris et de graisse. Les appareils de chauffage qui dégagent des émissions graisseuses et/ou de la fumée risquent de contaminer l'isolation électrique et d'entraîner une rupture diélectrique et/ou un dépôt de carbone (cheminement).
- L'emballage d'expédition ne convient pas et ne peut pas être utilisé seul pour l'entreposage de l'équipement, sauf indication contraire sur l'étiquette de l'emballage extérieur.

- À la réception, il se peut que l'équipement soit à une température inférieure à celle de l'air ambiant. Laisser le temps à l'équipement (y compris la température des composants internes) de monter à la température de l'air ambiant avant d'ouvrir ou de perturber l'emballage. Si de l'air chaud entre en contact avec des surfaces froides, de la condensation risque de se former sur l'équipement et à l'intérieur. Les dommages causés par l'humidité peuvent détruire les capacités diélectriques de l'équipement et le rendre inutilisable.
- L'emballage en usine enveloppant l'équipement sur les palettes d'expédition ne convient pas au transport routier non fermé, qui risquerait d'exposer l'équipement aux intempéries. L'emballage en usine enveloppant l'équipement doit rester en place jusqu'à ce que l'équipement soit prêt à être inspecté et entreposé ou inspecté et installé. Après avoir reçu l'équipement et l'avoir laissé s'acclimater à l'environnement, retirer l'emballage et inspecter l'équipement pour vérifier qu'il n'a pas été endommagé pendant le transport. Si des dommages sont découverts ou soupçonnés, faire immédiatement une réclamation à remettre au transporteur et informer votre représentant Schneider Electric.
- Suivre ces directives chaque fois que l'équipement est déplacé vers un nouveau lieu d'entreposage ou vers sa destination finale.

## Exigences d'installation et d'utilisation du compteur

Cet équipement n'atteint ses caractéristiques nominales que s'il est installé conformément aux plans de récolement ou dessins d'ouvrage fini, conformément aux instructions fournies dans le présent document, et fait l'objet de contrôles environnementaux opérationnels avec des réglages permettant d'atténuer les influences environnementales. Cet équipement peut également être utilisé dans une zone climatisée où les conditions environnementales acceptables sont assurées par l'utilisation de chauffage ou de refroidissement, selon le cas. Les équipements classés pour utilisation intérieure et extérieure ne sont pas adaptés à un entreposage extérieur. Dans certains cas (tels que les charges électriques saisonnières, équipements hors tension, sources d'alimentation de secours/alternatives), la chaleur générée par la charge de l'équipement est insuffisante pour empêcher la condensation et des sources de chaleur d'appoint sont donc nécessaires. Si des dispositifs de contrôle environnemental tels qu'un thermostat ou un humidistat sont utilisés, ils doivent être réglés de façon à limiter la condensation et rester constamment en marche. Consulter l'ingénieur responsable du projet pour connaître les réglages appropriés des dispositifs de contrôle environnemental.

## Informations relatives à la Proposition 65



**AVERTISSEMENT:** Ce produit peut vous exposer à des produits chimiques tels que du plomb et des composés de plomb, considérés par l'État de Californie comme vecteurs de cancers, d'anomalies congénitales et autres reprotoxicités. Pour plus d'informations, consulter [www.P65Warnings.ca.gov](http://www.P65Warnings.ca.gov).

## Exposition à l'humidité, aux produits chimiques et à la condensation

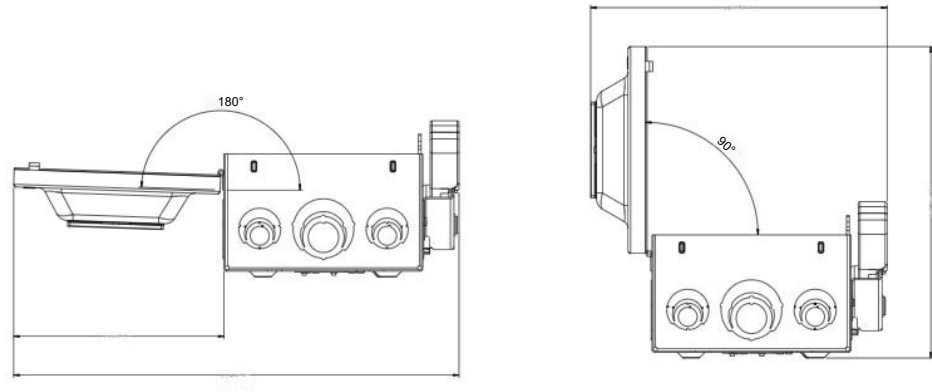
En cas de contact des circuits électroniques, de l'interrupteur à boîtier moulé, des fusibles, des barres-bus ou d'autres composants électriques avec l'humidité, la condensation ou des liquides, notamment des produits chimiques, ne pas essayer de nettoyer ou de réparer l'équipement, car cela pourrait entraîner des dommages irréparables. Si l'équipement est sous tension, le mettre hors tension. Si l'équipement n'est pas sous tension, ne pas le mettre sous tension. Contacter le centre d'assistance à la clientèle de Schneider Electric au 888-778-2733.

# Installation

## Montage

Les interrupteurs de sécurité sont testés pour vérifier le fonctionnement et les caractéristiques environnementales de l'armoire en position verticale, avec ON en position haute.

Vérifiez systématiquement sur les dessins l'espace requis pour chaque interrupteur de sécurité. L'empreinte et le rayon de rotation de la porte doivent être pris en compte.



# Certifications sismiques

## Installation de l'équipement pour les applications sismiques

### Introduction

La certification sismique est une caractéristique facultative pour les interrupteurs de sécurité. Elle fournit des options de conformité sismique à un des codes du bâtiment et aux normes de conception sismique indiqués dans la Liste des codes du bâtiment régionaux et des normes de conception sismique pris en charge, page 11. Les interrupteurs de sécurité avec certification sismique ont été certifiés conformes aux exigences sismiques du code spécifié, tel qu'indiqué dans le Certificat de conformité (CdC) du fabricant. Les étiquettes de conformité des équipements et les CdC sont fournis avec tous les interrupteurs de sécurité certifiés. Se reporter au cahier des charges de l'équipement pour connaître les détails de la certification et les paramètres sismiques applicables. Pour maintenir la validité de cette certification, les directives d'installation fournies dans cette section doivent être suivies.

**Tableau 1 - Liste des codes du bâtiment régionaux et des normes de conception sismique pris en charge**

Pays / Région	Référence du code	Nom du code
Argentine	INPRES-CIRSOC103	Normes argentines pour les constructions résistantes aux tremblements de terre
Australie	AS 1170.4-2007 (R2018)	Actions de conception structurelle, partie 4 : Actions sismiques en Australie
Canada	CNBC	Code national du bâtiment du Canada
Chili	NCh 433.Of1996	Conception résistante aux tremblements de terre des bâtiments
Chine	GB 50011-2010 (2016)	Code de conception sismique des bâtiments
Colombie	NSR-10 Título A	Réglementation colombienne pour la construction résistante aux tremblements de terre
Europe	Eurocode 8 EN1998-1	Calcul des structures pour leur résistance aux séismes – Partie 1 : règles générales, actions sismiques et règles pour les bâtiments
Inde	IS 1893 (Partie 1) : 2016	Critères de conception des structures résistantes aux tremblements de terre – Partie 1 : Dispositions générales et bâtiments
Indonésie	SNI 1726.2019	Procédures de planification de la résistance aux tremblements de terre pour les structures de bâtiment et hors bâtiment
Japon	Loi sur les normes de construction	Loi sur les normes de construction du Japon
Mexique	CFE MDOC-15	Manuel de conception des travaux publics – Conception pour tremblements de terre
Nouvelle-Zélande	NZS 1170.5:2004+A1	Actions de conception structurelle, partie 5 : Actions sismiques – Nouvelle-Zélande
Pérou	N.T.E. – E.030	Code du bâtiment national – Conception résistante aux tremblements de terre
Russie	СП 14.13330.2018	Normes et réglementations de construction : Construction dans les régions sismiques
Arabie saoudite	SBC 301	Code du bâtiment saoudien – Exigences en matière de charges et de forces
Taiwan	CPA 2011	Code de conception sismique et commentaire pour les bâtiments
Turquie	TBEC-2018	Norme sismique pour les bâtiments en Turquie
États-Unis	IBC selon ASCE 7	Code du bâtiment international – IBC
	CBC per ASCE 7	Code du bâtiment de la Californie – CBC
	UFC selon DoD	Critères des installations uniformes – UFC

### Responsabilité concernant la réduction des dommages sismiques

Les interrupteurs de sécurité sont considérés comme des éléments de construction non structuraux au sens des codes du bâtiment régionaux et des normes de conception sismique. La capacité du matériel a été déterminée à partir de résultats



d'essais sur table de secousses sismiques à trois axes, conformément à l'International Code Council - Evaluation Service (ICC-ES) (Service d'évaluation du Conseil international des codes [du bâtiment]), dans les critères d'acceptation des essais de qualification sismique des composants non structuraux sur table vibrante (ICC-ES AC156).

Un facteur d'importance de l'équipement,  $I_p$ , supérieur à un ( $I_p > 1,0$ ) est supposé et indique que la fonctionnalité de l'équipement après un événement sismique et après des essais de simulation sismique est exigée. Ce facteur d'importance s'applique aux systèmes parasismiques désignés (certification spéciale) qui desservent des infrastructures critiques et des bâtiments essentiels pour lesquels la fonctionnalité des équipements après un tremblement de terre est exigée.

Les barres-bus, câbles et conduits entrants et sortants doivent être également considérés comme des systèmes connexes, mais indépendants. Ces systèmes de distribution doivent être conçus et retenus de manière à résister aux forces générées par l'événement sismique sans augmenter la charge transférée à l'équipement. Pour les applications présentant un risque sismique, il est préférable que les barres-bus, les câbles et les conduits entrent et sortent par le bas de l'enceinte de l'équipement.

La certification sismique des composants et équipements non structuraux fournis par Schneider Electric n'est qu'un maillon de la chaîne totale des responsabilités requises pour maximiser la probabilité qu'un équipement sera intact et en état de fonctionnement après un séisme. Pendant un événement sismique, l'équipement doit pouvoir transférer les charges qui sont créées et répercutées grâce au système de résistance aux forces de l'équipement et à l'ancrage à l'ossature du système structural de l'immeuble ou à la fondation.

L'ancrage de l'équipement, c.-à-d. des supports et les fixations non structuraux, à la structure ou aux fondations du bâtiment principal est requis pour valider la conformité sismique. L'ingénieur structurel du chantier ou l'ingénieur responsable du projet [« engineer of record » (EOR) ou « registered design professional » (RDP)] a la responsabilité de détailler les exigences d'ancrage de l'équipement pour une installation donnée. L'installateur et les fabricants des systèmes d'ancrage ont la responsabilité d'assurer que les exigences de montage soient respectées. Schneider Electric n'est pas responsable des caractéristiques et des performances des systèmes d'ancrage de l'équipement.

### **Points d'ancrage pour l'équipement rigide monté au mur**

L'enceinte de l'appareil fournit des points d'ancrage pour la fixation à la structure du bâtiment ou à la fondation. Les enceintes intérieures présentent des trous de dégagement dans le cadre de base de l'enceinte pour les fixations d'ancrage boulonnées. Les enceintes extérieures présentent des trous de dégagement dans le cadre de base de l'enceinte pour les fixations d'ancrage boulonnées. Procurez-vous les schémas pour les emplacements réels.

Les installations d'interrupteurs de sécurité simples et autonomes doivent être fixées à l'aide de tous les points d'ancrage de l'enceinte, comme indiqué sur les schémas pour les applications intérieures et extérieures, respectivement.

Pour les installations d'équipement utilisant des supports et des fixations soudés au lieu de supports et de fixations boulonnés, s'assurer que les emplacements des soudures sont répartis de la même manière que les emplacements des trous de dégagement des ancrages de l'enceinte. Les supports et fixations soudés doivent être correctement dimensionnés pour garantir que la capacité de résistance des soudures soit supérieure à la demande sismique à l'emplacement d'installation de l'équipement. Des précautions doivent être prises pour ventiler et protéger correctement l'enceinte de l'équipement pendant le processus de soudage sur place. Schneider Electric n'est pas responsable des dommages causés à l'équipement par les supports et fixations soudés sur site.

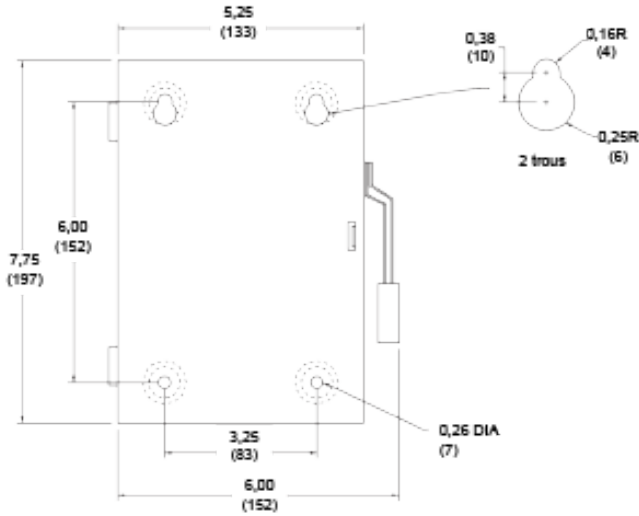
### **Instructions de montage de l'ancrage**

La vue de l'assemblage de l'ancrage boulonné illustre la fixation de l'équipement tel qu'il a été testé sur un banc d'essai de secousses sismiques. La capacité sismique nominale de l'équipement, telle qu'indiquée sur le certificat de conformité (CdC) de

Schneider Electric, a été atteinte avec la quincaillerie des tailles et de la qualité indiquées. Les détails de la fixation et du support de l'équipement installé sur le terrain doivent être conformes aux exigences du système d'ancrage telles que définies par l'ingénieur structurel du chantier ou l'ingénieur responsable du projet [« engineer of record » (EOR) ou « registered design professional » (RDP)].

Tableau 2 - Ancrage comme testé

**Interrupteurs de sécurité pour usage léger**

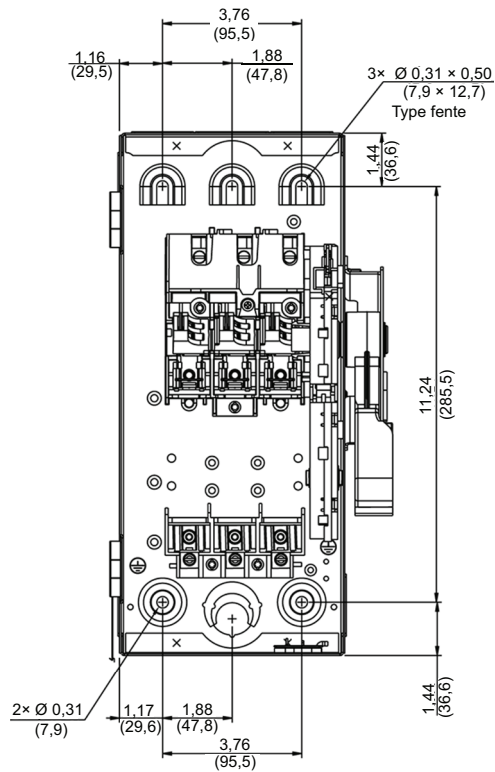


Type 1 – 30 A

Boulons de 1/4 po de catégorie 5 avec rondelle plate à quatre emplacements, serrage à 8 pi-lb.

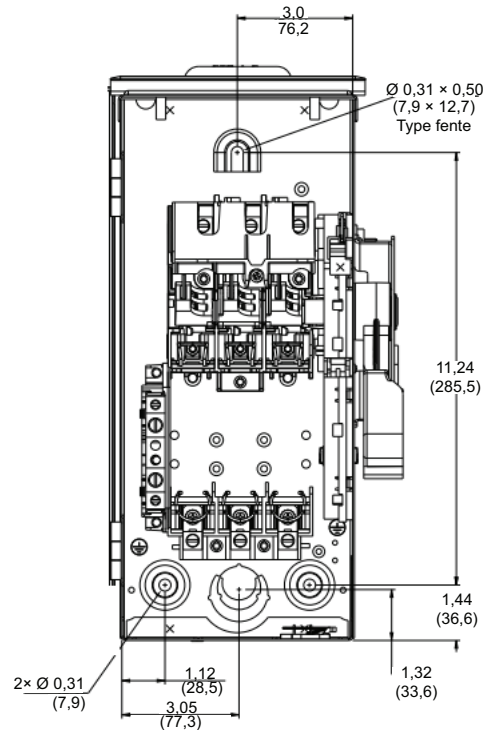
Dimensions : po / (mm)

**Usage général et usage intensif – unidirectionnel et bidirectionnel**



Type 1 30 A 240 V / 600 V Type 60 A 240 V

Boulons de 1/4 po de catégorie 5 avec rondelle plate à trois emplacements, serrage à 8 pi-lb. Il y a deux emplacements en haut au centre et deux emplacements dans le bas.



Type 3R 30 A 240 V / 600 V Type 60 A 240 V

Boulons de 1/4 po de catégorie 5 avec rondelle plate à trois emplacements, serrage à 8 pi-lb.

**Tableau 2 - Ancrage comme testé (Suite)**

**Type 12 et Type 4X 30, 60, 100 A 240 V / 600 V**

Boulons de 1/4 po de catégorie 5 avec rondelle plate à quatre emplacements, serrage à 7 pi-lb. Trous extérieurs en haut et en bas.

**Type 1 et Type 3R 60 A 240 V 100 A 240 V / 600 V**

Boulons de 1/4 po de catégorie 5 avec rondelle plate à quatre emplacements, serrage à 7 pi-lb.

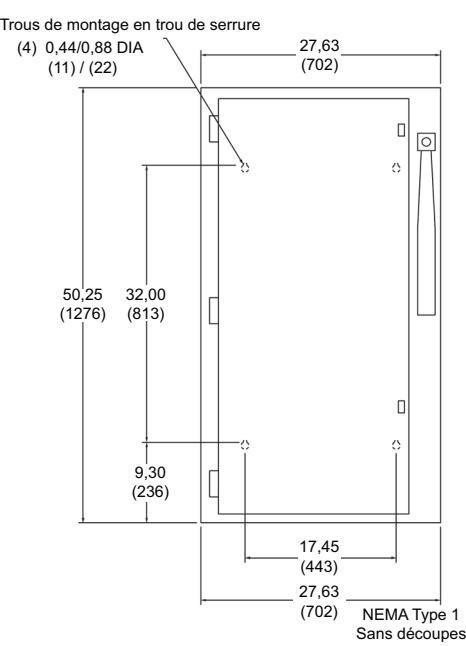
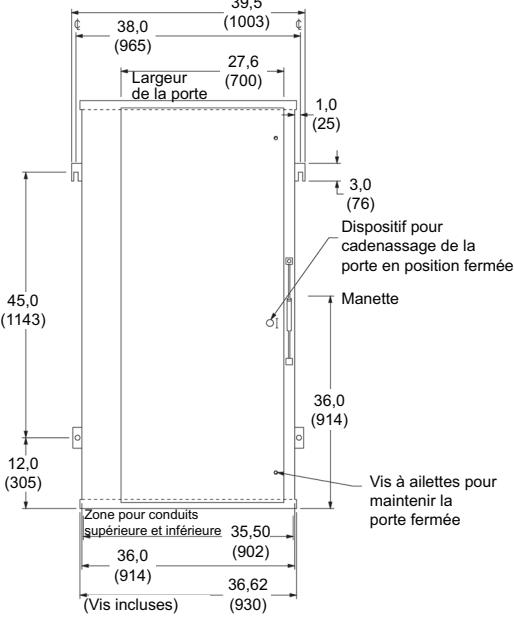
**Type 1 et Type 3R 200 A 240 V / 600 V**

Boulons de 1/4 po de catégorie 5 avec rondelle plate à quatre emplacements, serrage à 7 pi-lb.

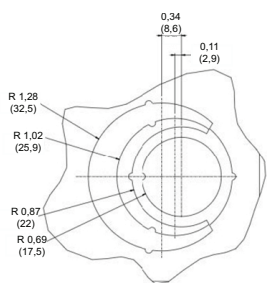
**Type 12 et Type 4X 100 et 200 A 240 V / 600 V**

Boulons de 1/4 po de catégorie 5 avec rondelle plate à quatre emplacements, serrage à 7 pi-lb.

Tableau 2 - Ancrage comme testé (Suite)

 <p>Trous de montage en trou de serrure (4) 0,44/0,88 DIA (11) / (22)</p> <p>27,63 (702)</p> <p>50,25 (1276)</p> <p>32,00 (813)</p> <p>9,30 (236)</p> <p>17,45 (443)</p> <p>27,63 (702)</p> <p>NEMA Type 1 Sans découpes</p> <p>Type 1, Type 3R 400, 600, 800, 1200 A 240 V / 600 V</p> <p>Boulons de 3/8 po de catégorie 5 avec rondelle plate à quatre emplacements, serrage à 25 pi-lb.</p>	 <p>39,5 (1003)</p> <p>38,0 (965)</p> <p>27,6 (700)</p> <p>45,0 (1143)</p> <p>12,0 (305)</p> <p>36,0 (914)</p> <p>36,62 (930)</p> <p>35,50 (902)</p> <p>3,0 (76)</p> <p>1,0 (25)</p> <p>Dispositif pour cadenassage de la porte en position fermée</p> <p>Manette</p> <p>Vis à ailettes pour maintenir la porte fermée</p> <p>Zone pour conduits supérieure et inférieure</p> <p>Type 12 et Type 4X – 400, 600, 800, 1200 A 240 V / 600 V</p> <p>Boulons de 7/16 po de catégorie 5 avec rondelle plate à quatre emplacements, serrage à 40 pi-lb.</p>
---	---

## Retrait des débouchures



1. Déterminez la taille requise.
2. Retirez d'abord la plus petite débouchure.

Passez de l'autre côté de la soudure par points et appliquez une pression pour détacher la pièce. Ensuite, saisissez la débouchure avec une pince et tordez jusqu'à ce qu'elle se détache.

3. Retrait de la deuxième bague de débouchure complète.

Deux points de soudure sont situés l'un en face de l'autre. Placez-vous à 90° de chaque point de soudure et appliquez une pression pour détacher la pièce. Ensuite, pincez les deux côtés ensemble et appliquez une force de rotation jusqu'à ce qu'ils se détachent.

4. Retrait de la bague de débouchure partielle.

Placez-vous à 90° de l'un ou l'autre point de soudure et appliquez une pression pour détacher le côté. Appliquez une force sur chaque partie de la débouchure. Pincez les trois pièces ensemble et appliquez une force de rotation jusqu'à ce qu'elles se détachent.

5. Répétez les étapes 3 et 4 jusqu'à ce que les exigences de débouchures soient satisfaites.

### Entrée de conduit

Il peut être nécessaire de percer les armoires pour créer des points d'entrée pour les conduits. Protégez les composants internes de la limaille métallique, en les recouvrant d'un drap de protection ou en orientant le perçage, de façon à éviter que des débris n'entrent en contact avec les points de connexion électrique. Les points de connexion sont notamment les cosses, les lames ou les clips de fusible.

Repérez les entrées des conduits de façon à respecter les exigences de rayon de courbure des conducteurs.

## Indices de protection

Toutes les enceintes Schneider Electric sont certifiées UL 50 / CAN/CSA C22.2 n° 94.1 et UL 50E / CAN/CSA C22.2 n° 94.2 et titulaires d'un type UL. Les indices sont supérieurs ou égaux aux indices NEMA de même nombre.

**Tableau 3 - Indices de protection**

Type	Informations sur les débouchures
Type 1, usage général, intérieur (peinture grise ANSI 49 sur acier laminé à froid)	Débouchures standard sur enceintes de 30-100 A; parois supérieure, inférieure et latérale
Type 3R, imperméable, extérieur (peinture grise ANSI 49 sur acier galvanisé)	Débouchures standard sur enceintes de 30-100 A; parois inférieure et latérale
Type 12, intérieur, étanche à la poussière et aux gouttes (peinture grise ANSI 49 sur acier galvanisé)	Le type 12 ne présente pas de débouchures (convient également à un usage extérieur de type 3R)
Type 4, 4X et 5, intérieur ou extérieur, étanche à l'eau, étanche à la poussière, résistant à la corrosion (acier inoxydable de type 304 ou 316)	—
Type 4X, intérieur ou extérieur, étanche à l'eau et à la poussière, résistant à la corrosion (polyester renforcé de fibre de verre)	—
Type 7/9, zones dangereuses telles que définies dans l'Article 500 de la norme NEC® (fonte d'aluminium sans cuivre)	Classe I, divisions 1 et 2, groupes C et D
	Classe II, divisions 1 et 2, groupes E, F et G
	Classe III, divisions 1 et 2
Type 3R – unités pour usage intensif 800 et 1 200 A expédiées en enceinte de type 5, vis d'égouttage retirée pour les applications de type 3	—
Type 12 – peut être utilisé pour les applications de type 3R après retrait de la vis d'égouttage	—

# Interrupteurs de sécurité à fusible

**Tableau 4 - Valeurs des fusibles**

Classe	Fusible à cartouche	Courant nominal
<b>Interrupteurs de sécurité à usage léger</b>		
Prise	Court-circuit 10 kA	30
<b>Interrupteurs de sécurité à usage léger et à usage général avec fusibles à cartouche installés en usine</b>		
H	Court-circuit de 10 kA	30 à 600
K	Court-circuit de 10 kA	30 à 600
R	Court-circuit de 10 kA	30 à 600
	Court-circuit de 100 kA <sup>1</sup>	30 à 600
T	Court-circuit de 100 kA	800
		400 et 600 <sup>2</sup>
<b>Interrupteurs de sécurité à usage intensif avec fusibles à cartouche installés en usine</b>		
H	Court-circuit de 10 kA	30 à 600
K	Court-circuit de 10 kA	30 à 600
R	Court-circuit de 10 kA	30 à 600
	Court-circuit de 200 kA <sup>1</sup>	30 à 600
L	Court-circuit de 200 kA	800 à 1200
<b>Interrupteurs de sécurité modifiés sur place</b>		
Usage général		
J	Court-circuit de 100 kA	30 à 600
Usage intensif		
J	Court-circuit de 200 kA	100 à 200 <sup>3</sup>
		30 à 400 <sup>4</sup>
		600 <sup>5 6</sup>

**REMARQUE:** Les valeurs nominales AIC s'appliquent à la combinaison interrupteur, fusible et/ou clip de rejet.

**Tableau 5 - Valeurs de classe UL des fusibles**

Classe	Tension	Intensité maximale d'interruption
<b>Fusibles limiteurs de courant</b>		
R	250 V CA	200 000 A eff. symétrique
	600 V CA	
	300 V CC	
	600 V CC	
<b>Bornes modifiées pour fournir une fonction de rejet</b>		
J	600 V CA	200 000 A eff. symétrique

1. Clips de rejet de Classe R installés sur place
2. Installation spéciale en usine.
3. 240 V
4. 600 V
5. 240 V ou 600 V
6. Nécessite le kit H600J.

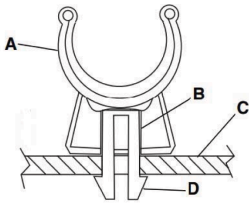
**Tableau 5 - Valeurs de classe UL des fusibles (Suite)**

Classe	Tension	Intensité maximale d'interruption
T	300 V CA	200 000 A eff. symétrique
	600 V CA	200 000 A eff. symétrique
	125 V CC	200 000 A eff. symétrique
	300 V CC	200 000 A eff. symétrique
L	600 V CA	CA : 200 000 A eff. symétrique
		CC : 50 000 A
	600 V CC	CC : 100 000 A
		CC : 200 000 A
K	250 V CA	50 000 A eff. symétrique
	600 V CA	100 000 A eff. symétrique
		200 000 A eff. symétrique
<b>Fusibles non limiteurs de courant</b>		
H	250 V CA	10 000 A eff. symétrique
	600 V CA	
Prise	125 V CA	10 000 A eff. symétrique



# Kits de clips de rejet de Classe R

Il est nécessaire d'obtenir la capacité nominale complète des fusibles de classe R. Sans clips, la valeur nominale du système est réduite à 10 kAIC, puisque des fusibles de classe H ou de classe K peuvent être encore installés dans l'interrupteur.



Courant nominal	Tension nominale	Catalogue de kit
30	240 V	RFK03L
30	600 V	RFK03H
30 <sup>7</sup>		RFK06
30 <sup>8</sup>		RFK06
60	240 V	RFK03H
60	600 V	RFK06H
100	240 V et 600 V	RFK10
200		RFK1020
400		RFK4060
600		RFK4060

1. Mettez en position OFF (O) toutes les alimentations et suivez les procédures de verrouillage et d'étiquetage.

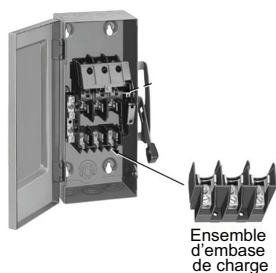
**REMARQUE:** Chaque fusible est muni de dispositifs de rejet à une seule extrémité. Les oreilles de l'adaptateur s'insèrent dans les petites fentes de l'embase moulée, près du clip de fusible (A) à l'extrémité côté ligne.

2. Poussez l'adaptateur de fusible (B) fermement dans la fente de l'embase moulée (C) avec une partie circulaire pénétrant dans la fente de chaque côté du clip de fusible. Assurez-vous que les oreilles (D) de l'adaptateur s'emboîtent dans l'embase de sorte que l'adaptateur ne puisse être retiré.
3. Consultez la section Kits de clips de rejet de Classe R pour plus d'informations.

**REMARQUE:** Les fusibles de classe J nécessitent le déplacement de l'embase de charge sur les trous marqués sur les appareils. Le modèle 600 A nécessite également le kit H600J.

7. Quadripolaire  
8. Avec prise

## Déplacement de l'ensemble d'embase de charge



1. Retirez les deux vis de montage (qui peuvent être utilisées pour le remontage) qui fixent l'embase de charge pour les fusibles de type H, K et R.
2. Alignez l'embase de charge selon l'emplacement de montage des fusibles de type J.
3. Utilisez les vis pour remonter la base de charge. Consultez le tableau ci-dessous pour les couples de serrage.

Intensité	Couple de serrage
30 A	20-30 lb-po (2,26 à 3,39 N•m)
60 A	25-35 lb-po (2,82 à 3,95 N•m)
100 A	
200 A	30-50 lb-po (3,39 à 5,65 N•m)
400 A	55-60 lb-po (6,21 à 6,78 N•m)
600 A	

# Courant de court-circuit nominal des interrupteurs de sécurité sans fusible

Tableau 6 - Interrupteurs de sécurité sans fusible NEMA Type 7/9 SCCR 10 kAIR 600 V CA maximum.

Intensité nominale de l'interrupteur (A)	Type de fusible ou de disjoncteur <sup>9</sup>	240 V CA	480 V CA	600 V CA	250 V CC
Intensité nominale des interrupteurs (A)	Avec protection par fusible en amont	240 V CA	480 V CA	600 V CA	250 V CC/600 V CC
TOUS	H, K	10 kA	10 kA	10 kA	jusqu'à 10 kA
	R, T, J, L	200 kA	200 kA	200 kA	jusqu'à 10 kA
Valeur nominale de l'interrupteur (A)	Avec protection par disjoncteur en amont	240 V CA	480 V CA	600Y/347 V CA	250 V CC
30, 60, 100	BD	25 kA	18 kA	14 kA	jusqu'à 10 kA
30, 60, 100	BG	65 kA	35 kA	18 kA	jusqu'à 10 kA
30, 60, 100	BJ	100 kA	65 kA	25 kA	jusqu'à 10 kA
30, 60, 100	BK	100 kA	65 kA	65 kA	jusqu'à 10 kA
Valeur nominale de l'interrupteur (A)	Avec protection par disjoncteur en amont	240 V CA	480 V CA	600 V CA	250 V CC
TOUS	Disjoncteur de n'importe quelle marque	10 kA	10 kA	10 kA	jusqu'à 10 kA
30, 60, 100	HD	25 kA	18 kA	14 kA	jusqu'à 10 kA
30, 60, 100	HG	65 kA	35 kA	18 kA	jusqu'à 10 kA
30, 60, 100	HJ	65 kA	35 kA	18 kA	jusqu'à 10 kA
30, 60, 100	HL	65 kA	35 kA	35 kA	jusqu'à 10 kA
30, 60, 100	HR	65 kA	35 kA	35 kA	jusqu'à 10 kA
30, 60, 100	FA	14 kA	14 kA	14 kA	jusqu'à 10 kA
30, 60, 100	FH	18 kA	18 kA	18 kA	jusqu'à 10 kA
200	HD, JD	25 kA	18 kA	14 kA	jusqu'à 10 kA
200	HG, JG	65 kA	35 kA	18 kA	jusqu'à 10 kA
200	HJ, JJ	65 kA	65 kA	25 kA	jusqu'à 10 kA
200	HL, JL	65 kA	35 kA	35 kA	jusqu'à 10 kA
200	HR, JR	65 kA	35 kA	35 kA	jusqu'à 10 kA
400	LA	25 kA	25 kA	25 kA	jusqu'à 10 kA
400	LH	25 kA	25 kA	25 kA	jusqu'à 10 kA
400, 600	LD	25 kA	18 kA	14 kA	jusqu'à 10 kA
400, 600	LG	65 kA	35 kA	18 kA	jusqu'à 10 kA
400, 600	LJ	100 kA	65 kA	25 kA	jusqu'à 10 kA
400, 600	LL	100 kA	65 kA	50 kA	jusqu'à 10 kA
400, 600	LR	100 kA	65 kA	65 kA	jusqu'à 10 kA


9. L'intensité nominale du fusible ou du disjoncteur ne doit pas dépasser l'intensité nominale de l'interrupteur.

## Kits de m.à.l.t.

Les kits de m.à.l.t. peuvent être installés en usine ou sur place. Pour les enceintes à usage intensif 30-200 A Type 12 et 4X et les interrupteurs pour usage léger 30 A, les kits de m.à.l.t. sont installés en usine de série.

Toutes les unités sont livrées avec une barre de métallisation du neutre fournie avec la borne de terre installée en usine.

Les emplacements de montage de la cosse de m.à.l.t. sont identifiés par le symbole

de terre  estampé au dos de l'enceinte. Mettre l'enceinte à la terre conformément aux exigences du code applicable.

Courant nominal	Produit	Tension CA nominale	Kit de m.à.l.t. (ALCU)	Gamme de fils	Kit de m.à.l.t., cuivre seulement (usage intensif)	Gamme de fils
30	Usage général	240	PK3GTA1	(3) 14 – 4 AWG CU (3) 12 – 4 AWG AL (6) 14 – 12 AWG CU (6) 12 – 10 AWG AL	s/o	—
30	Usage intensif	240 et 600	GTK03	(2) 14 – 4 AWG CU (2) 12 – 4 AWG AL ou (4) CU 14-12 AWG (4) 12 – 10 AWK AL	GTK03C	(2) 14 – 6 AWG CU
60	Usage général Usage intensif	240	GTK03	(2) 14 – 4 AWG CU (2) 12 – 4 AWG AL ou (4) CU 14-12 AWG (4) 12 – 10 AWK AL	GTK03C	(2) 14 – 6 AWG CU
60	Usage intensif	600	GTK0610	(2) 14 – 1/0 AWG CU (2) 12 – 1/0 AWG AL et (2) 14 – 6 AWG CU (2) 12 – 6 AWK AL	GTK0610C	(2) 14 – 1/0 AWG CU et (2) 14 – 6 AWG CU
100	Usage général Usage intensif	240 et 600	GTK0610	(2) 14 – 1/0 AWG CU (2) 12 – 1/0 AWG AL et (2) 14 – 6 AWG CU (2) 12 – 6 AWG AL	GTK0610C	(2) 14 – 1/0 AWG CU et (2) 14 – 6 AWG CU
200	Usage général Usage intensif	240 et 600	PKOGTA2	(2) 10 – 2/0 AWG CU (2) 6 – 2/0 AWG AL	PKOGTC2	(2) 14 – 4 AWG CU
400	Usage général Usage intensif	240 et 600	PKOGTA2	(2) 10 – 2/0 AWG CU (2) 6 – 2/0 AWG AL	PKOGTC3	(2) 14 – 1/0 AWG CU
600	Usage général Usage intensif	240 et 600	PKOGTA2	(2) 10 – 2/0 AWG CU (2) 6 – 2/0 AWG AL	PKOGTC3	(2) 14 – 1/0 AWG CU
800	Usage général	240	PKOGTA3	(6) 6 – 3/0 AWG CU (6) 6 – 3/0 AWG AL	s/o	—
800	Usage intensif	240 et 600	PKOGTA7	(4) 4 AWG – 300 kcmil CU (4) 4 AWG – 300 kcmil AL	s/o	—
1200	Usage intensif	240 et 600	PKOGTA8	(8) 4 AWG – 300 kcmil CU (8) 4 AWG – 300 kcmil AL	s/o	—

---

## Ensembles de neutre isolé

Les ensembles de neutre isolé peuvent être installés en usine ou sur place. Tous les neutres isolés sont fournis avec une vis ou un cavalier de métallisation du neutre pour l'installation sur place, permettant de les utiliser dans les équipements d'entrée de distribution aux États-Unis et au Mexique.

Les **neutres isolés** installés en usine sont expédiés non métallisés et conviennent pour toutes les applications aux États-Unis et au Mexique. Ils ne peuvent pas être utilisés pour des applications d'entrée de distribution au Canada.

La **métallisation du neutre** installée en usine est utilisée pour les applications d'entrée de distribution au Canada et peut également être utilisée pour les applications d'entrée de distribution aux États-Unis et au Mexique.

**REMARQUE:** Sur les appareils avec métallisation de neutre installée en usine, la vis de métallisation doit être retirée pour toutes les applications autres que les applications d'entrée de distribution.

Courant nominal	Produit	Tension CA nominale	Kit de neutre (ALCU)	Gamme de fils	Kit de neutre, cuivre seulement	Gamme de fils	
30	Usage intensif	240 et 600	SNO3	(2) 14 – 3 AWG CU (2) 14 – 3 AWG AL plus m.à.l.t. de distribution (1) 14 – 3 AWG CU (1) 14 – 3 AWG AL	SNO3C	(2) 14 – 6 AWG CU plus m.à.l.t. de distribution (1) 14 – 6 AWG CU	
60		240	SNO3	(2) 14 – 3 AWG CU (2) 14 – 3 AWG AL plus m.à.l.t. de distribution (1) 14 – 3 AWG CU (1) 14 – 3 AWG AL	SNO3C	(2) 14 – 6 AWG CU plus m.à.l.t. de distribution (1) 14 – 6 AWG CU	
60		600	SNO610	(2) 14 – 1/0 AWG CU (2) 14 – 1/0 AWG AL plus m.à.l.t. de distribution (2) 14 – 6 AWG CU (2) 14 – 6 AWG AL	SNO610C	(2) 14 – 2/0 AWG CU plus m.à.l.t. de distribution (3) 14 – 6 AWG CU	
100		240 et 600		SNO610	(2) 14 – 1/0 AWG CU (2) 14 – 1/0 AWG AL plus m.à.l.t. de distribution (2) 14 – 6 AWG CU (2) 14 – 6 AWG AL	SNO610C	(2) 14 – 2/0 AWG CU plus m.à.l.t. de distribution (3) 14 – 6 AWG CU
200				SN20A	(2) 6 AWG – 250 kcmil CU (2) 6 AWG – 250 kcmil AL plus m.à.l.t. de distribution (2) 14-10 AWG CU (2) 14 – 10 AWG AL	SN20C	(2) 6 AWG – 250 kcmil CU plus m.à.l.t. de distribution (1) 14 – 1/0 AWG CU
400				H600SN	(2) 1 AWG – 750 kcmil CU (2) 1 AWG – 750 kcmil AL plus m.à.l.t. de distribution (1) 4 AWG – 300 kcmil CU (1) 4 AWG – 300 kcmil AL	H600SNC	(2) 6 AWG – 600 kcmil CU et (2) 2 AWG – 350 kcmil CU plus m.à.l.t. de distribution (1) 6 AWG – 250 kcmil CU
600				H600SN	(2) 1 AWG – 750 kcmil CU (2) 1 AWG – 750 kcmil AL plus m.à.l.t. de distribution (1) 4 AWG – 300 kcmil CU (1) 4 AWG – 300 kcmil AL	H600SNC	(2) 6 AWG – 600 kcmil CU et (2) 2 AWG – 350 kcmil CU plus m.à.l.t. de distribution (1) 6 AWG – 250 kcmil CU
800				H800SNE4	(6) 3/0 AWG – 750 kcmil CU (6) 3/0 AWG 750 kcmil AL plus m.à.l.t. de distribution (2) 6 AWG – 350 kcmil CU (2) 6 AWG – 350 kcmil AL	s/o	—
1200				H1200SNE4	(8) 3/0 AWG – 750 kcmil CU (8) 3/0 AWG 750 kcmil AL plus m.à.l.t. de distribution (2) 6 AWG – 350 kcmil CU (2) 6 AWG – 350 kcmil AL	s/o	—

## Barrières côté ligne

Les unités pour usage général et usage intensif unidirectionnel de 30, 60, 100 et 200 A sont conçues pour fournir une protection contre les contacts accidentels sur les bornes entrantes. Les composants internes sont conformes aux normes IP2X et UL 869A.

Des barrières à installer sur place sont disponibles pour les appareils de 400, 600, 800 et 1200 A et fournissent une protection contre les contacts accidentels sur les bornes entrantes.

Ampères	Produit	Tension CA nominale	Bipolaire	Tripolaire
400	Usage intensif	240	LSBG203	LSBG203
		600	LSBG602	LSBG602
600		240	LSBG203	LSBG203
		600	LSBG602	LSBG602
800		240	LSBF202	LSBF203
		600	LSBF602	LSBF602
1200		240	LSBF202	LSBF203
		600	LSBF602	LSBF602

L'isolation des fils fait partie du système de protection contre les contacts. Les tableaux ci-dessous indiquent la longueur de conducteur à dénuder.

**Tableau 7 - Interrupteurs de sécurité à usage général**

Ampères	Tension	Longueur à dénuder
30	240	0,47 po / 12 mm
60		
100		0,60 po / 15 mm
200		0,87 po / 22 mm
400		1,25 po / 32 mm
600		
800		

**Figure 1 - Fil dénudé**



Tableau 8 - Interrupteurs de sécurité à usage intensif

Ampères	Tension	Longueur à dénuder
30	240	0,47 po / 12 mm
60		
100		0,60 po / 15 mm
200		0,87 po / 22 mm
400		1,50 po / 38 mm
600		
800		1,50 po / 38 mm (haut) 2,70 po / 69 mm (bas)
1200		
30	600	0,47 po / 12 mm
60		
100		0,60 po / 15 mm
200		0,87 po / 22 mm
400		1,50 po / 38 mm
600		
800		1,50 po / 38 mm (haut) 2,70 po / 69 mm (bas)
1200		



# Exigences pour l'entrée de la distribution

## États-Unis et Mexique

Les interrupteurs sans métallisation du neutre montée en usine peuvent être utilisés tels quels comme équipement de distribution.

Les interrupteurs sans métallisation du neutre montée en usine peuvent être utilisés comme équipement de distribution.

Pour une utilisation dans d'autres applications, la vis de métallisation doit être retirée.

L'enceinte doit être mise à la terre.

Les appareils doivent être installés avec des barrières côté ligne.

L'enceinte doit être métallisée par une vis ou un cavalier de métallisation; métalliser le neutre isolé à l'enceinte.

## Canada

Les interrupteurs avec métallisation du neutre isolé montée en usine peuvent être utilisés comme équipement de distribution.

Au Canada, la métallisation du neutre isolé montée en usine peut être défaite pour que l'appareil puisse être utilisé comme entrée de distribution.

**REMARQUE:** Se reporter au code de l'électricité CAN/CSA C22.1 Article 6-212 pour connaître les exigences de câblage.

# Entretien

## Introduction

Les interrupteurs de sécurité sont correctement lubrifiés en usine. Cependant, un nettoyage et une lubrification réguliers peuvent être nécessaires. L'intervalle d'entretien entre les lubrifications dépend de facteurs tels que l'utilisation de l'interrupteur et les conditions ambiantes. L'intervalle d'entretien maximal ne doit pas dépasser un an pour les pièces mécaniques ou porteuses de courant.

Pour plus d'informations, consulter la publication NFPA 70B, « Standard for Electrical Equipment Maintenance » (Norme d'entretien de l'équipement électrique).

## Performances en conditions inhabituelles

Contactez Schneider Electric pour obtenir des informations sur les performances dans des conditions inhabituelles. Des exemples de conditions inhabituelles sont présentés dans le tableau ci-dessous :

Conditions inhabituelles
Températures ambiantes inférieures à -30 °C (-22 °F) ou supérieures à 40 °C (104 °F)
Altitudes supérieures à 2 000 m (6 600 pi)
Environnements corrosifs ou explosifs
Vibrations anormales, chocs ou inclinaison
Fonctions inhabituelles

## **DANGER**

### RISQUE D'ÉLECTROCUTION, D'EXPLOSION OU D'ÉCLAIR D'ARC

- Porter un équipement de protection individuelle (ÉPI) approprié et observer les méthodes de travail électrique sécuritaire. Voir NFPA 70E, CSA Z462 ou NOM-029-STPS.
- Seul un personnel qualifié doit effectuer l'installation et l'entretien de cet appareil.
- Ne jamais faire fonctionner l'interrupteur sous tension avec la porte ouverte.
- Mettre l'interrupteur hors tension avant de retirer ou d'installer des fusibles ou de faire des raccordements sur le côté charge.
- Toujours utiliser un dispositif de détection de tension ayant une valeur nominale appropriée sur tous les porte-fusibles du côté ligne et charge pour s'assurer que l'interrupteur est hors tension.
- Couper l'alimentation de l'interrupteur avant de travailler dessus.
- Ne pas utiliser de fusibles renouvelables dans les interrupteurs à fusibles.

**Le fait de ne pas suivre ces instructions entraînera des blessures graves, voire mortelles.**

## Procédures d'entretien annuelles

1. Couper l'alimentation avant toute intervention sur l'interrupteur ou à l'intérieur de celui-ci.
2. Ouvrir les lames de l'interrupteur en plaçant le levier en position ARRÊT (O).
3. Verrouiller-étiqueter l'interrupteur conformément aux procédures locales.
4. Ouvrir la porte de l'enceinte.

5. Toujours utiliser un dispositif de détection de tension de valeur nominale appropriée sur toutes les cosses (bornes) du côté ligne et charge pour s'assurer que l'équipement est hors tension.

**REMARQUE:** Ne retirer aucune pièce de l'interrupteur ou du mécanisme d'actionnement à moins que les procédures suivantes indiquent expressément de le faire. Retirer à l'aide d'un aspirateur tous les débris à l'intérieur de l'interrupteur. Essuyer les pièces internes et l'intérieur de l'enceinte avec un chiffon humide non pelucheux.

6. Inspecter visuellement l'interrupteur pour vérifier qu'il n'y a pas de pièces ou de quincaillerie desserrées.
  - a. Resserrer la quincaillerie si nécessaire. Se reporter au schéma de câblage pour connaître les valeurs de couple.
  - b. Ne pas mettre l'interrupteur sous tension si des pièces usées ou endommagées sont détectées. Les remplacer avant de remettre l'interrupteur sous tension.

### Retrait de pièces

1. Retirer les supprimeurs d'arc ou blindages d'arc de l'interrupteur en desserrant les fixations qui les maintiennent en place. Se reporter aux exemples fournis.
2. Retirer la graisse usée et les autres contaminants des mâchoires et des lames côté ligne à l'aide d'un chiffon propre et non pelucheux. Si le lubrifiant a séché, le retirer avec du nettoyeur de contact CRC® HF Contact Cleaner ou l'équivalent, pulvérisé sur un chiffon.
3. Lubrifier les zones nettoyées avec une mince couche de graisse Dow Corning®BG20.

**REMARQUE:** N'utiliser aucun autre lubrifiant. D'autres lubrifiants risquent de ne pas convenir aux applications électriques et d'altérer les performances de l'interrupteur. La graisse Dow Corning BG20 est disponible de Square D (n° de pièce SWLUB).

4. Pour garantir un bon fonctionnement, actionner le mécanisme en ouvrant et fermant l'interrupteur cinq fois avec la porte fermée. Ouvrir les lames de l'interrupteur.

## ⚠ ATTENTION

### RISQUE DE DOMMAGES MATÉRIELS

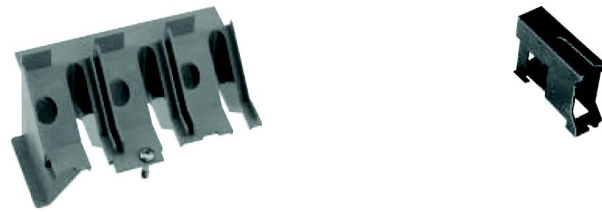
Ne pas démonter l'ensemble d'embase de ligne de l'interrupteur et ne pas retirer le rotor de la lame lors du nettoyage de la mâchoire côté ligne ou de la lame. Voir Figure 4, page 31, Exemples d'ensemble d'embase de ligne

**Le fait de ne pas suivre ces instructions peut entraîner une blessure ou endommager l'équipement.**

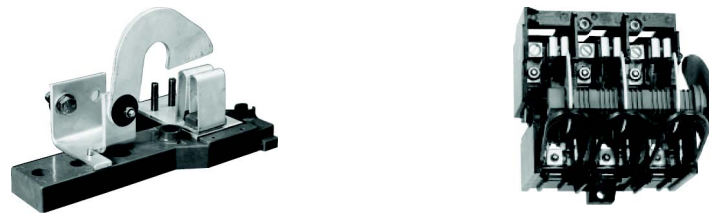
Figure 2 - Exemple de supprimeur d'arc



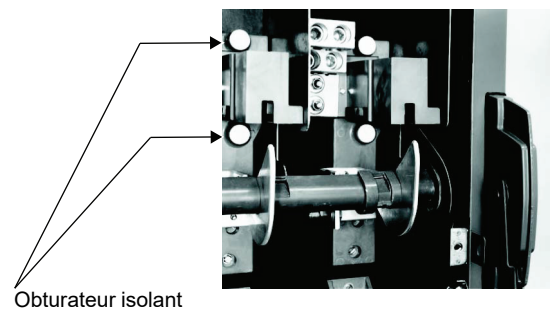
**Figure 3 - Exemple de blindage d'arc**



**Figure 4 - Exemples d'ensemble d'embase de ligne**



**Figure 5 - Obturateurs isolants sur unité à pôle**



### Remplacement des pièces

1. Réinstaller les supprimeurs d'arc ou les blindages d'arc en serrant au couple indiqué dans le tableau 9, page 32 ci-dessous.
2. S'assurer que les deux obturateurs isolants de chaque phase (400-1200 A uniquement) sont fermement insérés. Voir la figure 5.

**Tableau 9 - Couples de serrage des supprimeurs d'arc**

Type d'interrupteur	Valeur de couple
30 à 100 A	5 à 10 lb-po (0,57 à 1,13 N·m)
200 A, série F	10 à 20 lb-po (1,13 à 2,26 N·m)
200 A, série E	20 à 25 lb-po (2,26 à 2,83 N·m)
Usage général 400 à 800 A	20 à 25 lb-po (2,26 à 2,83 N·m)
Usage intensif 400-1200 A	30 à 40 lb-po (3,39 à 4,52 N·m)

### Remettre l'interrupteur sous tension

1. Fermer et verrouiller la porte.
2. Mettre hors tension toutes les charges en aval.
3. Mettre l'interrupteur sous tension.
4. Mettre l'interrupteur en marche.
5. Mettre sous tension toutes les charges en aval.

# Schémas de câblage

Tableau 10 - Interrupteurs de sécurité unidirectionnels


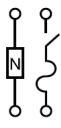
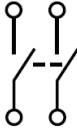
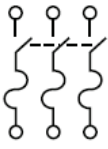
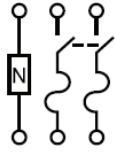
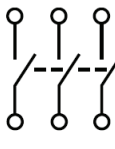
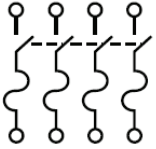
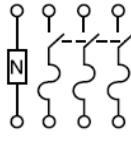
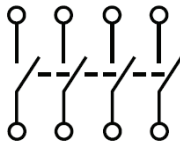
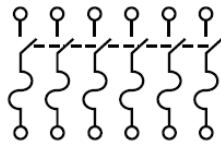
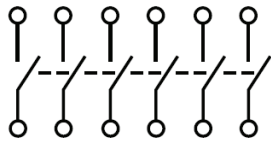
Fusible	Fusible avec neutre	Sans fusible
<p>Deux fils (2 lames et porte-fusibles)</p> 	<p>Deux fils (1 lame et porte-fusible)</p> 	<p>Deux fils (2 lames)</p> 
<p>Trois fils (3 lames et porte-fusibles)</p> 	<p>Trois fils (2 lames et porte-fusibles)</p> 	<p>Trois fils (3 lames)</p> 
<p>Quatre fils (4 lames et porte-fusibles)</p> 	<p>Quatre fils (3 lames et porte-fusibles)</p> 	<p>Quatre fils (4 lames)</p> 
<p>Six fils (6 lames et porte-fusibles)</p> 	<p>—</p>	<p>Six fils (6 lames)</p> 

Tableau 11 - Interrupteurs de sécurité bidirectionnels

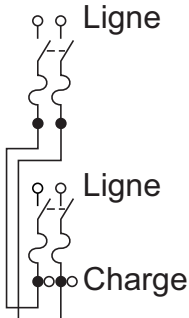
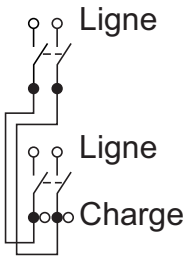
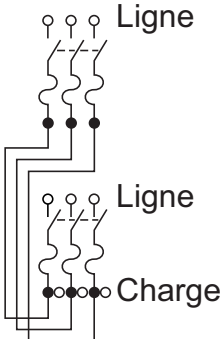
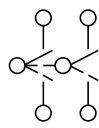
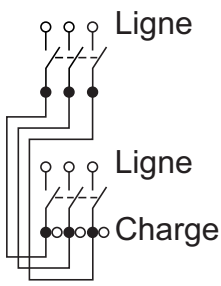
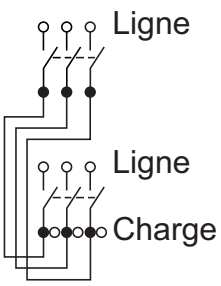
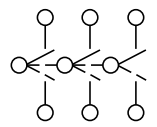
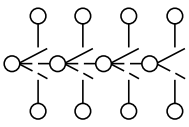
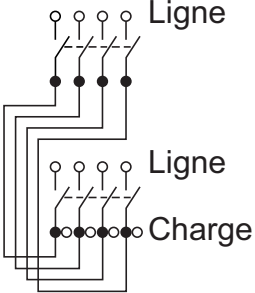
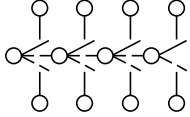
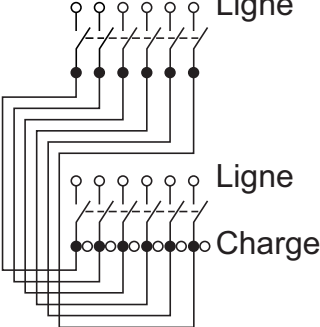
Fusible	Sans fusible
<p><b>Fusible-2P</b></p> 	<p><b>Sans fusible-2P</b></p> 
<p><b>Fusible-3P</b></p> 	<p><b>Sans fusible-2P</b></p> 
<p><b>Fusible-3P</b></p> 	<p><b>Sans fusible-3P</b></p> 
<p>—</p>	<p><b>Sans fusible-3P</b></p> 
<p>—</p>	<p><b>Sans fusible-4P</b></p> 

Tableau 11 - Interrupteurs de sécurité bidirectionnels (Suite)

Fusible	Sans fusible
—	<p data-bbox="1084 233 1240 258"><b>Sans fusible-4P</b></p> 
—	<p data-bbox="1084 594 1240 619"><b>Sans fusible-4P</b></p> 
—	<p data-bbox="1084 772 1240 798"><b>Sans fusible-6P</b></p> 



# Remplacement de la fenêtre d'observation 30-200 A

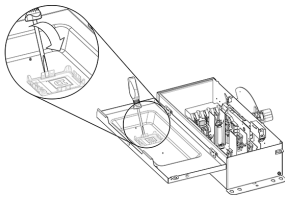
## ⚠ ⚠ DANGER

### RISQUE D'ÉLECTROCUTION, D'EXPLOSION OU D'ÉCLAIR D'ARC

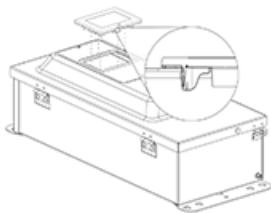
- Porter un équipement de protection individuelle (ÉPI) approprié et observer les méthodes de travail électrique sécuritaire. Voir NFPA 70E, CSA Z462 ou NOM-029-STPS.
- Seul un personnel qualifié doit effectuer l'installation et l'entretien de cet appareil.
- Ne faites jamais fonctionner l'interrupteur sous tension avec la porte ouverte.
- Mettez l'interrupteur hors tension avant d'enlever ou d'installer des fusibles ou de faire des raccordements sur le côté charge.
- Utilisez toujours un dispositif de détection de tension ayant une valeur nominale appropriée sur tous les porte-fusibles du côté ligne et charge pour s'assurer que l'interrupteur soit hors tension.
- Coupez l'alimentation de l'interrupteur avant d'y faire tout autre travail.
- N'utilisez pas de fusibles renouvelables dans les interrupteurs à fusibles.

**Le fait de ne pas suivre ces instructions entrainera des blessures graves, voire mortelles.**

**Figure 6 - Dégagement des languettes du couvercle**



**Figure 7 - Languettes du couvercle**



1. Coupez l'alimentation avant toute intervention sur l'interrupteur ou à l'intérieur de celui-ci.
2. Ouvrez les lames de l'interrupteur en plaçant le levier en position OFF (O).
3. Verrouillez ou étiquetez l'interrupteur conformément aux procédures locales.
4. Ouvrez la porte de l'armoire.
5. Utilisez toujours un dispositif de détection de tension de valeur nominale appropriée sur toutes les cosses (bornes) du côté ligne et charge pour vous assurer que l'équipement est hors tension.
6. Depuis l'intérieur du couvercle avant, utilisez un tournevis pour dégager chaque languette du couvercle et poussez la fenêtre vers l'extérieur. Voir la figure 6, page 36.
7. Centrez la nouvelle fenêtre dans l'ouverture.
8. Appliquez une force uniforme à la fenêtre pour qu'elle s'enclenche.
9. Vérifiez que les languettes sont correctement engagées. Voir la figure 7, page 36.
10. Fermer la porte. Suivez toutes les procédures d'étiquetage et de verrouillage requises. Mettez sous tension, si nécessaire.

Schneider Electric  
5985 McLaughlin Road  
Mississauga (Ontario) L5R 1B8  
Canada

800-565-6699

[www.se.com/ca](http://www.se.com/ca)

Puisque les normes, caractéristiques techniques et conceptions changent à l'occasion, assurez-vous de vérifier si les renseignements contenus dans la présente publication

© 2023–2024 – Schneider Electric. Tous droits réservés.

GEX75737



## Schneider Electric USA, Inc.

800 Federal Street  
Andover, MA 01810 USA  
888-778-2733  
www.se.com/us

Standards, specifications, and designs may change, so please ask for confirmation that the information in this publication is current.

Schneider Electric and Square D are trademarks and the property of Schneider Electric SE, its subsidiaries, and affiliated companies. All other trademarks are the property of their respective owners.

© 2023 Schneider Electric  
All Rights Reserved

GEX75737, Rev. 01, 09/2024  
Replaces Replaces GEX75737 05/23

Importado en México por:

## Schneider Electric México, S.A. de C.V.

Av. Ejercito Nacional No. 904  
Col. Palmas, Polanco 11560 México, D.F.  
55-5804-5000  
www.se.com/mx

Normas, especificaciones y diseños pueden cambiar, por lo tanto pida confirmación de que la información de esta publicación está actualizada.

Schneider Electric y Square D son marcas comerciales y propiedad de Schneider Electric SE, sus filiales y compañías afiliadas. Todas las otras marcas comerciales son propiedad de sus respectivos propietarios.

© 2023 Schneider Electric  
Reservados todos los derechos

GEX75737, Rev. 01, 09/2024  
Reemplaza Replaces GEX75737 05/23

## Schneider Electric Canada, Inc.

5985 McLaughlin Road  
Mississauga, ON L5R 1B8 Canada  
800-565-6699  
www.se.com/ca

Du fait que les normes, caractéristiques et conceptions peuvent changer, demander confirmation que l'information contenue dans cette publication est à jour.

Schneider Electric et Square D sont des marques commerciales et la propriété de Schneider Electric SE, ses filiales et compagnies affiliées. Toutes les autres marques commerciales sont la propriété de leurs propriétaires respectifs.

© 2023 Schneider Electric  
Tous droits réservés

GEX75737, Rev. 01, 09/2024  
Remplace Replaces GEX75737 05/23