

Features

- Quantum is a range of recessed integrated LED panels for general indoor lighting applications such as breakout areas, offices and meeting rooms. Max. drive current: 600mA; Max. power: 28W; Lifespan: 120.000Hrs L70:B50; 4000K; CRI 80; Efficacy up to: 161Lm/W; Fixture lumen: 4500lm; Glare control <19; IK03; IP54 (from the front); Class II; Equipped with SylSmart Connected bluetooth driver. Tp(a) rated diffuser that self-extinguishes within 5 sec when a flame has been removed.

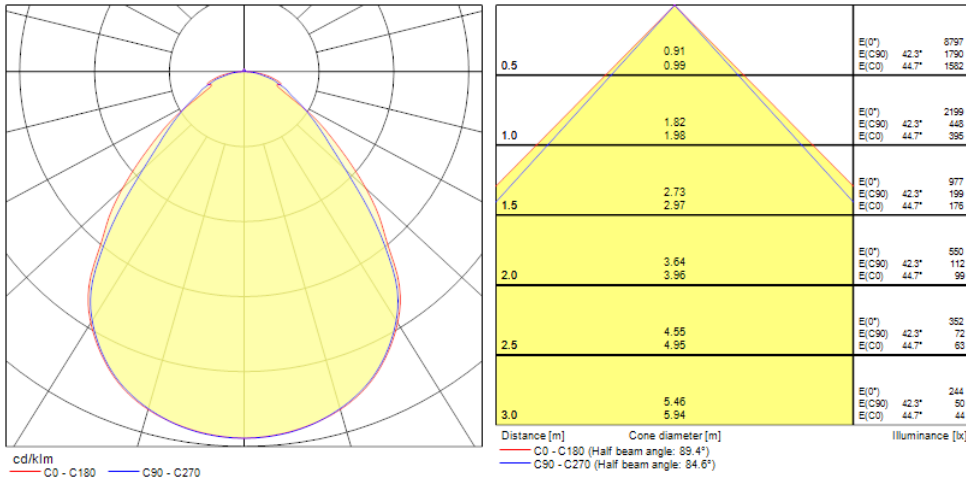
Product Overview

Product name	Quantum IP54 600x600 4500lm 840 SSA01D
Technology	LED (3 SDCM)
Cap/Base	N/A
Housing	Steel
Mount	Ceiling recessed mounting
General application	Office, Education
ETIM Class	EC002892
E-number FI	4170575
Fixture luminous flux (lm)	4500
Luminaire efficacy (lm/W)	161
Correlated colour temperature (k)	4000
Light colour	Neutral White
CRI (Ra)	80
Colour Variation Initial (SDCM)	3
Beam Angle (°)	85
Glare control	< 19
Photobiological Risk Group	RG0
Total power consumption (W)	28
Electrical protection	Class II

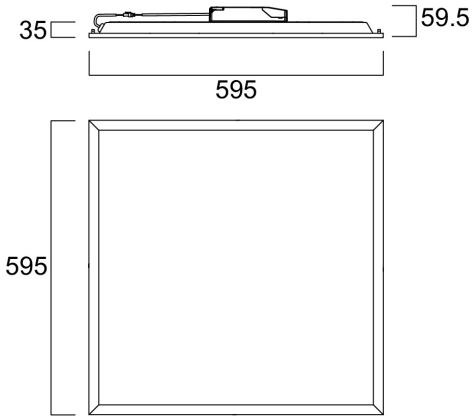
Quantum IP54 600x600 4500lm 840 SSA01D 0044661

Control gear type	LED driver constant current
Dimmable	Yes
LED Flickering Rate	Ultra low (5% or less)
Housing colour	RAL9003
IP rating	IP54/20
IK rating	IK03
Product EAN number	5410288446615
Warranty	5 years
Dimming method	SylSmart SSA

Photometry



Technical drawings



Data table

GENERAL DATA

Product name	Quantum IP54 600x600 4500lm 840 SSA01D
Technology	LED (3 SDCM)
Cap/Base	N/A
Housing	Steel
Mount	Ceiling recessed mounting
General application	Office, Education
Operating temperature range (°C)	-20°C...+40°C
ETIM Class	EC002892
E-number FI	4170575
Warranty	5 years

OPTICAL DATA

Fixture luminous flux (lm)	4500
Luminaire efficacy (lm/W)	161
Correlated colour temperature (k)	4000
Light colour	Neutral White

Quantum IP54 600x600 4500lm 840 SSA01D 0044661

CRI (Ra)	80
Colour Variation Initial (SDCM)	3
Beam Angle (°)	85
Distribution type	Symmetric
Glare control	< 19
Photobiological Risk Group	RG0

ELECTRICAL DATA

Total power consumption (W)	28
Primary Supply/Product voltage - min (V)	220.0
Primary Supply/Product voltage - max (V)	240.0
Lamp power factor	0.9
THD (at 230 V, 50 Hz, full load, at 100% dimming level) ≤ xx.x %	10.0
Electrical protection	Class II
Control gear required	No
Control gear type	LED driver constant current
Dimmable	Yes
Dimming method	SylSmart SSA
Drive current (mA)	600
Inrush Current (A)	20
Inrush Duration (µs)	25
Energy Efficiency Class (A->G) of contained light source	A
Nominal Frequency (Hz)	50/60Hz
LED Flickering Rate	Ultra low (5% or less)
Max. products per 10A C Breaker	42
Max. products per 13A C Breaker	55
Max. products per 16A C Breaker	69
Max. products per 20A C Breaker	84
Max. products per 10A B Breaker	25
Max. products per 13A B Breaker	33
Max. products per 16A B Breaker	40
Max. products per 20A B Breaker	51

Quantum IP54 600x600 4500lm 840 SSA01D 0044661

Connectable conductor cross section - Min (mm ²)	0.75
---	------

Connectable conductor cross section - Max (mm ²)	2.5
---	-----

LIFETIME DATA

Lifespan L70 B50	120000
Lifespan L70 B20	120000
Lifespan L70 B10	120000
Lifespan L80 B50	105000
Lifespan L80 B20	95000
Lifespan L80 B10	85000
Lifespan L90 B50	51000
Lifespan L90 B20	47000
Lifespan L90 B10	44000

PHYSICAL DATA

Housing colour	RAL9003
IP rating	IP54/20
IK rating	IK03
Diffuser finish	Diffuse
Diffuser material	PS Polystyrene
Nominal Product Length (mm)	595
Nominal Product Width (mm)	595
Nominal Product Height (mm)	35
Weight (kg)	2.0

PACKAGING

Product EAN number	5410288446615
Packaging single length / height (cm)	62.6
Packaging single width (cm)	3.5
Packaging single depth (cm)	59.8
DUN14 (inner)	15410288446612
Units per outer package	4

Quantum IP54 600x600 4500lm 840 SSA01D 0044661

Packaging outer length / height (cm)	63.9
Packaging outer width (cm)	16.2
Packaging outer depth (cm)	61.6

SAFETY DATA

Glow Wire Test (°C)	650
Optimal operating condition (°C)	-20-40
Special purpose lamp	No
Dry applications use only	No
Suitable for household illumination	No