

OBICO 68 IP65 530lm 3CCT DIM ADJ BRUSHED CHROME

Item No: 0005365

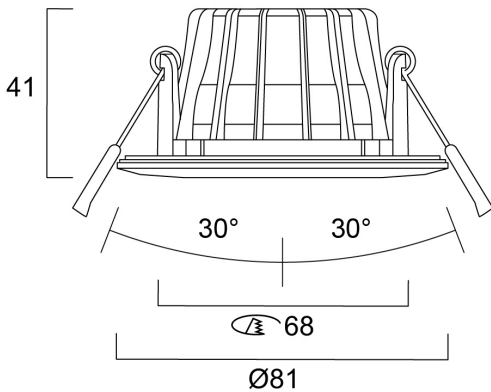
SYLVANIA

PRO



Technical Assets

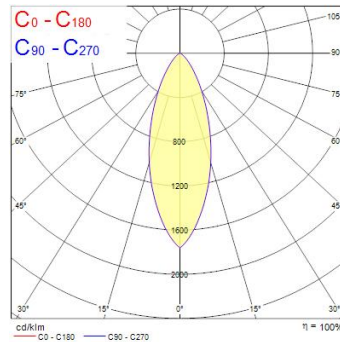
Dimensions (mm)



Photometrics

Distance [m]	Cone diameter [m]	E(0°) [lm]	E(C0) [lm]
0.5	0.33	3635	1588
1.0	0.67	907	396
1.5	1.00	403	173
2.0	1.33	227	97
2.5	1.66	145	62
3.0	2.00	101	43

Distance [m] Cone diameter [m] Illuminance [lx]
 C0 - C180 (Half beam angle: 36.8°)



OBICO 68 IP65 530lm 3CCT DIM ADJ BRUSHED CHROME

Item No: 0005365

SYLVANIA

General data

Product name	OBICO 68 IP65 530lm 3CCT DIM ADJ BRUSHED CHROME
Technology	LED
Cap/Base	N/A
Housing	Aluminium
Mount	Ceiling recessed mounting
General application	Residential & Consumer
Operating temperature range (°C)	-20°C...+40°C
Performance ambient temperature Tq (°C)	25
ETIM Class	EC001744
E-number FI	4278507
Warranty	5 years

Optical data

Useful luminous flux (Φuse)	530
Fixture luminous flux (lm)	530
Luminaire efficacy (lm/W)	98
Light colour	Cool White
CRI (Ra)	90
Colour Variation Initial (SDCM)	SDCM6
Beam Angle (°)	38
Distribution type	Symmetric
Glare control	< 25
Photobiological Risk Group	RG1

Electrical data

Total power consumption (W)	5.4
Current (A)	0.023
Primary Supply/Product voltage - min (V)	220.0
Lamp power factor	0.8
Electrical protection	Class II
Control gear type	LED driver constant current
Dimming method	Mains: leading / trailing edge
Drive current (mA)	130
Inrush Current (A)	2
Inrush Duration (µs)	100
Energy Efficiency Class (A->G) of contained light source	E
Nominal Frequency (Hz)	50/60Hz
Max. products per 10A C Breaker	250
Max. products per 13A C Breaker	300
Max. products per 16A C Breaker	400
Max. products per 20A C Breaker	500
Max. products per 20A B Breaker	400
Connectable conductor cross section - Min (mm ²)	0.75
Connectable conductor cross section - Max (mm ²)	1.5
Lifetime data	
Lifespan L70 B50	100000
Lifespan L80 B10	100000
Lifespan L90 B10	50000

OBICO 68 IP65 530lm 3CCT DIM ADJ BRUSHED CHROME

Item No: 0005365

SYLVANIA

Physical data

Housing colour	Chrome
IP rating	IP65/20
IK rating	IK07
Diffuser finish	Other
Diffuser material	None
Reflector finish	Not Applicable
Nominal Product Height (mm)	41.3
Nominal Product Diameter (mm)	81
Built-in diameter (mm)	68
Weight (kg)	0.21

Packaging

Product EAN number	5410288053653
Packaging single width (cm)	8.0
Packaging single depth (cm)	14.4
DUN14 (inner)	15410288053650
Units per inner package	6
Packaging inner length / height (cm)	29.9
Packaging inner width (cm)	25.2
Packaging inner depth (cm)	12.8
DUN14 (outer)	25410288053657
Packaging outer length / height (cm)	52.1

Safety data

Glow Wire Test (°C)	650
Optimal operating condition (°C)	-20-40