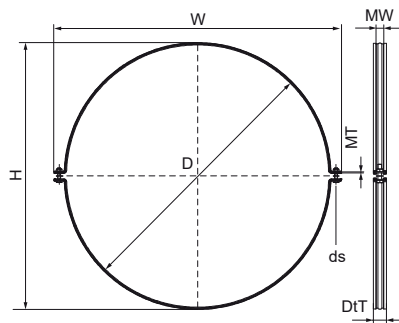


Walraven Aero®

(F0505)

for spiral ventilation ducts



Features & benefits

- with quick locking system
- patented design
- rubber lining is conjoined with the clamp (lining stays attached when sliding the spiral duct)
- material: pipe clamp made of steel
- pre-galvanized
- noise insulating lining made of TPE rubber, black



Product Number	Outside Pipe Diameter	Total Height	Total Width	Total Depth	Material Width	Material Thickness	Screw Size	Maximum Allowed Load Faz	Approvals
Reference Letter	D	H	W	Dt	MW	MT	ds	Fa,z	
Unit description	mm	mm	mm	mm	mm	mm		N	
4115710	710	727	785	28	25	2.00	M8	1,150	ITB (KOT)
4115800	800	817	875	28	25	2.00	M8	1,150	ITB (KOT)
4115900	900	917	975	28	25	2.00	M8	1,150	ITB (KOT)
4115997	1,120	1,138	1,196	28	25	2.00	M8	1,150	ITB (KOT)
4115998	1,250	1,268	1,326	28	25	2.00	M8	1,150	ITB (KOT)
4115999	1,000	1,018	1,076	28	25	2.00	M8	1,150	ITB (KOT)