

OBICO 80 IP65 820LM 2CCT 930/940 DIM WHT

Item No: 0005366

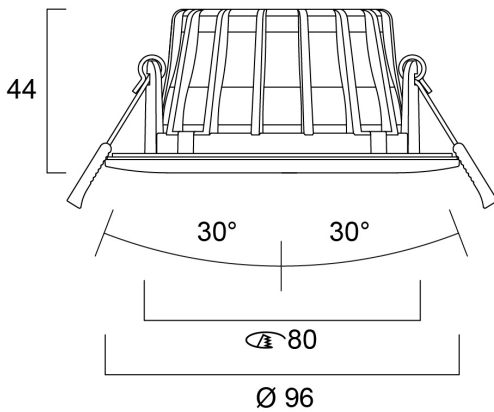
SYLVANIA

PRO



Technical Assets

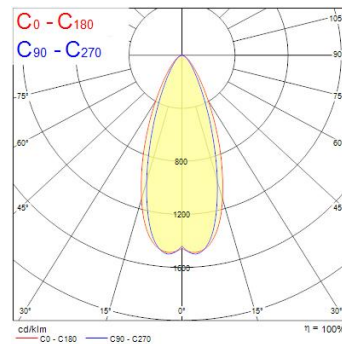
Dimensions (mm)



Photometrics

| Distance [m] | Cone diameter [m] | Beam angle [°] | Illuminance [lx] |
|--------------|-------------------|----------------|------------------|
| 0.5 | 0.35 | 19.9° | 4371 |
| | 0.41 | 22.2° | 1824 |
| 1.0 | 0.71 | 19.9° | 1098 |
| | 0.82 | 22.2° | 485 |
| 1.5 | 1.06 | 19.9° | 466 |
| | 1.22 | 22.2° | 193 |
| 2.0 | 1.42 | 19.9° | 273 |
| | 1.63 | 22.2° | 159 |
| 2.5 | 1.77 | 19.9° | 175 |
| | 2.04 | 22.2° | 109 |
| 3.0 | 2.12 | 19.9° | 121 |
| | 2.45 | 22.2° | 84 |

Distance [m] Cone diameter [m] Illuminance [lx]
 — C0 - C180 (Half beam angle: 44.4°)
 — C90 - C270 (Half beam angle: 39.2°)



OBICO 80 IP65 820LM 2CCT 930/940 DIM WHT

Item No: 0005366

SYLVANIA

General data

| | |
|---|---|
| Product name | OBICO 80 IP65 820LM 2CCT 930/940 DIM WHT |
| Technology | LED |
| Cap/Base | N/A |
| Housing | Aluminium |
| Mount | Ceiling recessed mounting |
| General application | Residential & Consumer, Retail |
| Operating temperature range (°C) | -20°C...+40°C |
| Performance ambient temperature Tq (°C) | 25 |
| ETIM Class | EC001744 |
| E-number FI | 4278508 |
| Warranty | 5 years |

Optical data

| | |
|---------------------------------------|---------------|
| Useful luminous flux (Φ_{use}) | 820 |
| Fixture luminous flux (lm) | 820 |
| Luminaire efficacy (lm/W) | 100 |
| Light colour | Neutral White |
| CRI (Ra) | 90 |
| Colour Variation Initial (SDCM) | SDCM4 |
| Beam Angle (°) | 38 |
| Distribution type | Symmetric |
| Glare control | < 25 |
| Photobiological Risk Group | RG1 |

Electrical data

| | |
|---|-----------------------------------|
| Total power consumption (W) | 8.2 |
| Current (A) | 0.036 |
| Primary Supply/Product voltage - min (V) | 220.0 |
| Lamp power factor | 0.9 |
| Electrical protection | Class II |
| Control gear type | LED driver constant current |
| Dimming method | Mains: leading / trailing edge |
| Drive current (mA) | 185 |
| Inrush Current (A) | 2 |
| Inrush Duration (μ s) | 20 |
| Energy Efficiency Class (A->G) of contained light source | D |
| Nominal Frequency (Hz) | 50/60Hz |
| Max. products per 10A C Breaker | 90 |
| Max. products per 13A C Breaker | 118 |
| Max. products per 16A C Breaker | 145 |
| Max. products per 20A C Breaker | 181 |
| Max. products per 20A B Breaker | 181 |
| Connectable conductor cross section - Min (mm ²) | 0.75 |
| Connectable conductor cross section - Max (mm ²) | 1.5 |

Lifetime data

| | |
|------------------|--------|
| Lifespan L70 B50 | 100000 |
| Lifespan L80 B20 | 88000 |
| Lifespan L80 B10 | 86000 |
| Lifespan L90 B10 | 42000 |

OBICO 80 IP65 820LM 2CCT 930/940 DIM WHT

Item No: 0005366

SYLVANIA

Physical data

| | |
|-------------------------------|----------------------------------|
| Housing colour | RAL 9016 - Traffic white / Bezel |
| IP rating | IP65/20 |
| IK rating | IK07 |
| Diffuser finish | Other |
| Diffuser material | None |
| Reflector finish | Not Applicable |
| Nominal Product Height (mm) | 44.3 |
| Nominal Product Diameter (mm) | 96 |
| Built-in diameter (mm) | 80 |
| Weight (kg) | 0.21 |

Packaging

| | |
|--------------------------------------|----------------|
| Product EAN number | 5410288053660 |
| Packaging single width (cm) | 8.0 |
| Packaging single depth (cm) | 14.4 |
| DUN14 (inner) | 15410288053667 |
| Units per inner package | 6 |
| Packaging inner length / height (cm) | 29.9 |
| Packaging inner width (cm) | 25.2 |
| Packaging inner depth (cm) | 12.8 |
| DUN14 (outer) | 25410288053664 |
| Packaging outer length / height (cm) | 52.1 |

Safety data

| | |
|----------------------------------|--------|
| Glow Wire Test (°C) | 650 |
| Optimal operating condition (°C) | -20-40 |