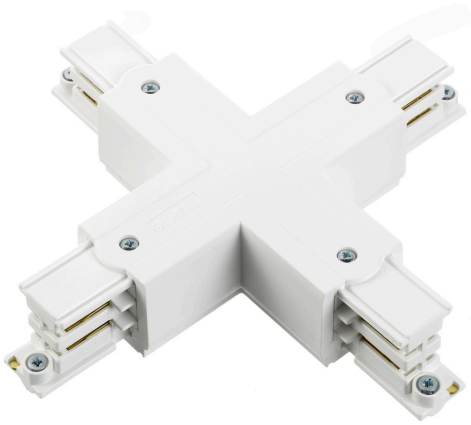


## GLOBAL TRAC PRO X FEED WHITE XTS38-3



### Features

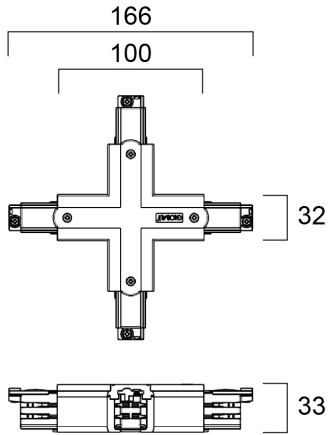
- Global Trac Pro accessory - white, glass fibre reinforced polycarbonate X-feed that is applicable for three-circuit track systems. Dimensions - 166 x 166 x 33 mm (L x W x H).

### Product Overview

Product name	GLOBAL TRAC PRO X FEED WHITE
Technology	Accessory
Housing	PC Polycarbonate
E-number SE	7402236
Light colour	N/A
Housing colour	RAL 9010 - Pure white
IP rating	IP20
IK rating	IK02
Product EAN number	6410014507381
Warranty	5 years

## GLOBAL TRAC PRO X FEED WHITE XTS38-3

### Technical drawings



### Data table

#### GENERAL DATA

Product name	GLOBAL TRAC PRO X FEED WHITE
Technology	Accessory
Housing	PC Polycarbonate
Operating temperature range (°C)	0°C...+25°C
E-number SE	7402236
Warranty	5 years

#### OPTICAL DATA

Light colour	N/A
--------------	-----

#### ELECTRICAL DATA

Control gear required	No
-----------------------	----

#### PHYSICAL DATA

## GLOBAL TRAC PRO X FEED WHITE XTS38-3

Housing colour	RAL 9010 - Pure white
IP rating	IP20
IK rating	IK02
Nominal Product Length (mm)	166
Nominal Product Width (mm)	166
Weight (kg)	0.196

### PACKAGING

Single packaging type	Plastic
Product EAN number	6410014507381
Packaging single width (cm)	24.5
Packaging single depth (cm)	3.3
DUN14 (outer)	06410014507381
Packaging outer length / height (cm)	24.5

### SAFETY DATA

Special purpose lamp	No
Dry applications use only	No
Suitable for household illumination	No