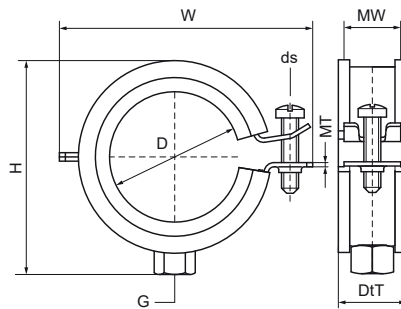


Walraven BISMAT® 2000 (M8) 1-screw

(A0517)

for steel, copper, cast iron and plastic (multilayer) pipe



Features & benefits

- single screw clamp
- with Walraven BISMAT® quick locking system
- material: steel
- zinc plated
- sound insulating lining according DIN 4109
- noise reduction according to ISO 3822-1 up to 23 dB(A)
- tested for fire safety



Product Number	DN	Pipe Diameter Imperial	Connection Thread	Material Width	Material Thickness	Screw Size	Total Height	Total Width	Total Depth	Approvals	Maximum Allowed Load Faz
Reference letter	D	D	G	MW	MT	ds	H	W	DtT		Fa,z
Unit description	"										
	mm										
3413014	DN 8	¼	M8	20	1.00	M6	37	47	24	ITB (KOT), CE, ETA, ISO 3822-1, RAL-GZ 655/B, RAL-GZ 656, EPD	600
3413018	DN 10	¾	M8	20	1.00	M6	38	47	25	RAL-GZ 656, ITB (KOT), CE, ETA, ISO 3822-1, RAL-GZ 655/B, EPD	600
3413023	DN 15	½	M8	20	1.00	M6	43	52	25	RAL-GZ 656, ITB (KOT), CE, ETA, ISO 3822-1, RAL-GZ 655/B, EPD	600
3413028	DN 20	¾	M8	20	1.00	M6	48	57	25	RAL-GZ 656, ITB (KOT), CE, ETA, ISO 3822-1, RAL-GZ 655/B, EPD	600
3413035	DN 25	1	M8	20	1.00	M6	55	64	25	RAL-GZ 656, ITB (KOT), CE, ETA, ISO 3822-1, RAL-GZ 655/B, EPD	600
3413039	-	-	M8	20	1.25	M6	64	72	26	ITB (KOT), CE, ETA, ISO 3822-1, RAL-GZ 655/B, RAL-GZ 656	800
3413043	DN 32	1¼	M8	20	1.25	M6	63	72	25	RAL-GZ 656, ITB (KOT), CE, ETA, ISO 3822-1, RAL-GZ 655/B, EPD	800
3413045	-	-	M8	20	1.25	M6	63	72	25	ITB (KOT), CE, ETA, ISO 3822-1, RAL-GZ 655/B, RAL-GZ 656	800
3413053	DN 40	1½	M8	20	1.25	M6	71	80	25	RAL-GZ 656, ITB (KOT), CE, ETA, ISO 3822-1, RAL-GZ 655/B, EPD	800
3413054	-	-	M8	20	1.25	M6	76	85	25	RAL-GZ 656, ITB (KOT), CE, ETA, ISO 3822-1, RAL-GZ 655/B, EPD	800
3413063	DN 50	2	M8	20	1.25	M6	82	91	25	RAL-GZ 656, ITB (KOT), CE, ETA, ISO 3822-1, RAL-GZ 655/B, EPD	800