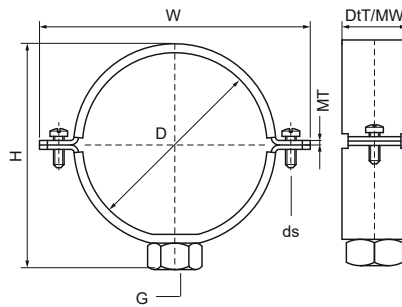


Walraven 434 Clamp (1") (zp)

(B3527)

for PE-pipe



Features & benefits

- two-screw clamp
- as guiding clamp for PE-Pipe
- for rigid fixing point fastening it is necessary to use metal clamp liners (Part No. 4337XXX)
- screws secured with anti-loss washer
- material: steel
- zinc plated



| Product Number | Outside Pipe Diameter | DN | Connection Thread | Total Height | Total Width | Total Depth | Material Width | Material Thickness | Screw Size | Maximum Allowed Load Faz | Approvals |
|------------------|-----------------------|--------|-------------------|--------------|-------------|-------------|----------------|--------------------|------------|--------------------------|----------------|
| Reference Letter | D | D | G | H | W | DeT | MW | MT | ds | Fa,z | |
| Unit description | mm | | | mm | mm | mm | mm | mm | | N | |
| 4383161 | 161 | DN 150 | G1" | 192 | 238 | 38 | 30 | 3.00 | M8 | 1,100 | ITB (KOT), EPD |
| 4383200 | 200 | DN 200 | G1" | 230 | 281 | 38 | 38 | 4.00 | M8 | 6,200 | ITB (KOT), EPD |
| 4383225 | 225 | - | G1" | 255 | 303 | 38 | 38 | 4.00 | M8 | 6,200 | ITB (KOT), EPD |
| 4383250 | 250 | DN 250 | G1" | 280 | 325 | 38 | 38 | 4.00 | M8 | 6,200 | ITB (KOT), EPD |
| 4383315 | 315 | DN 300 | G1" | 345 | 393 | 38 | 38 | 4.00 | M8 | 6,200 | ITB (KOT), EPD |