

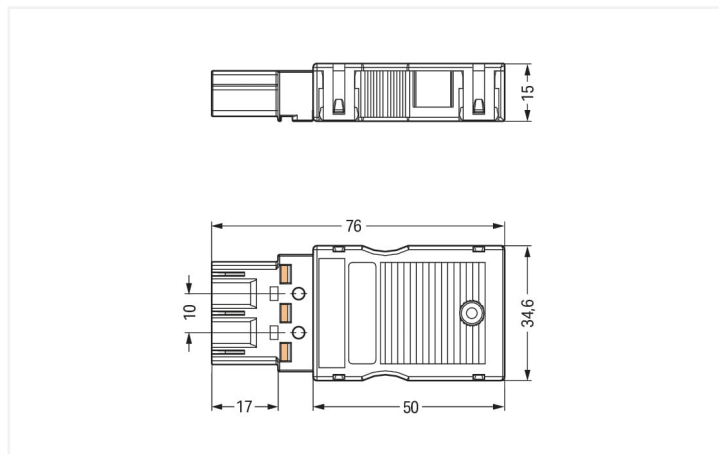
Data Sheet | Item Number: 770-113/147-000

Shorting plug; with assembled strain relief housing; 3-pole; Cod. A; Bridge L-N; 4,00 mm²; black

<https://www.wago.com/770-113/147-000>



Color: ■ black



Dimensions in mm

Jumper WINSTA® MIDI with protection type IP20

Thanks to the jumper from the WINSTA® MIDI product line with A coding, straightforward electrical installation is guaranteed. A comprehensive range of accessories rounds out the WINSTA® product line from WAGO. For greater protection in electrical installations, the accessory is equipped with mechanical protection against mismatching. The accessory is protected in accordance with protection type IP20 (When mated and secured with a strain relief housing: IP2xC (These compact connectors are not designed for use in open, easily accessible areas!)). That results in the fact that users' fingers will never come into contact with live contact elements. Thanks to the color coding and mechanical A coding of WINSTA® MIDI accessories, you can clearly distinguish different circuits. This accessory can be used for electrical currents up to 25 A. Thus the product is especially suitable for high power loads. WINSTA® MIDI with Push-in CAGE CLAMP® spring pressure connection technology is found in a broad range of individual products you can use for quick, easy, flexible, and secure installation.

WINSTA® MIDI solutions for your electrical installation – protected against mismatching and maintenance-free

WINSTA® is the pluggable connection system that is optimally tailored to the strict requirements of electrical installation. It offers error-free installation of cables and components, quickly and reliably. Choose quality and durability – with protection against mismatching from WAGO makes the electrical installation of electrical components noticeably easier.

- protection against mismatching eliminates errors
- for automation controllers
- with A coding for use in a large number of general mains applications
- rapid, structured electrical installation

Electrical data

Ratings per IEC/EN

Rated current	25 A
Legend (ratings)	(III / 3) ≙ Overvoltage category III / Pollution degree 3

Approvals per

UL 1977

Rated voltage	600 V
Rated current	23 A

Connection data

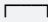
Connection 1

Connection technology	Push-in CAGE CLAMP®
Pole number	3

Physical data

Pin spacing	10 mm / 0.394 inches
Width	34.6 mm / 1.362 inches
Height	15 mm / 0.591 inches
Depth	76 mm / 2.992 inches

Mechanical data

Internal wiring	4 mm ²
Application	General mains applications
Coding	A
Variable coding	Yes
Marking	
Protection type	IP20; When mated and secured with a strain relief housing: IP2xC (These compact connectors are not designed for use in open, easily accessible areas!)
Suitable	for distribution connectors; series and two-way circuits

Plug-in connection

Contact type (pluggable connector)	Male connector/plug
Connector (connection type)	for pluggable connector
Mismating protection	Yes
Locking lever	No
Strain relief	Strain relief housing

Material data

Note (material data)	Information on material specifications can be found here
Color	black
Insulation material	Polyamide (PA66)
Flammability class per UL94	V0
Clamping spring material	Chrome-nickel spring steel (CrNi)
Contact material	Copper or copper alloy; surface-treated
Fire load	3.784 MJ
Connector color	black
Weight	23.5 g

Environmental requirements

Processing temperature	-5 ... +40 °C
Continuous operating temperature	-35 ... +85 °C
Note on continuous operating temperature	Insulating parts for temperatures ≤ 105 °C

Commercial data

eCl@ss 10.0	27-44-06-05
eCl@ss 9.0	27-44-06-05
ETIM 8.0	EC002560
ETIM 7.0	EC002560
PU (SPU)	25 pcs
Packaging type	Box
Country of origin	DE
GTIN	4045454729455
Customs tariff number	85366990990

Environmental Product Compliance

RoHS Compliance Status	Compliant, No Exemption
------------------------	-------------------------

Approvals / Certificates

General approvals **Approvals for marine applications**



Approval	Standard	Certificate Name
cURus Underwriters Laboratories Inc.	UL 1059	E 45172

Approval	Standard	Certificate Name
LR Lloyds Register	IEC 61984	LR22429487TA

Downloads

Environmental Product Compliance

Compliance Search

Environmental Product Compliance 770-113/147-000	↓
---	---

Documentation

Bid Text

Item No.	Date	File Type	Size	Action
770-113/147-000	19.02.2019	xml	2.83 KB	↓
770-113/147-000	12.03.2015	doc	23.00 KB	↓

CAD/CAE-Data

CAD data

2D/3D Models 770-113/147-000	↓
---------------------------------	---

CAE data

WSCAD Universe 770-113/147-000	↓
-----------------------------------	---

1 Compatible Products

1.1 Required Accessories

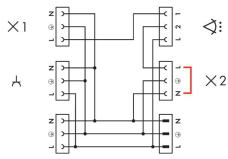
1.1.1 Cover

1.1.1.1 Cover

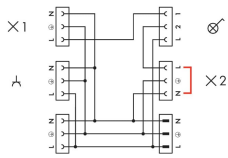


Item No.: 770-360
Lockout cap; for plugs; 5-pole; separable; yellow

Installation Notes



Internal circuit of 770-637 Distribution Connector with insertion position of 770-113/147-000 Shorting Plug for connecting a motion sensor



Internal circuit of 770-637 Distribution Connector with insertion position of 770-113/147-000 Shorting Plug for connecting a switch with control lamp