

Technical data sheet

Device support SL GT110

Item number: 6134506



Empty device support for the skirting trunking systems SL, SL-L and SL-T to install devices of module 45 design in the trunking width 110 mm. When data modules are used, due to their design, compliance with the mandatory bending radius of the data cables is potentially not guaranteed.



PVC Polyvinylchloride

Master data

Item number	6134506
Type	SL GT110M45 rws
Description 1	Mounting box
Description 2	SL double 110 Modul 45 9010
Manufacturer	OBO
Dimension	116x179x50
Colour	Pure white; RAL 9010
Material	Polyvinylchloride
Smallest sales unit	1
Unit of quantity	Piece
Weight	15.3 kg
Weight unit	kg/100 pc.
CO2 Footprint (GWP) Cradle-to-Gate	0,4476 kg CO2e / 1 Piece

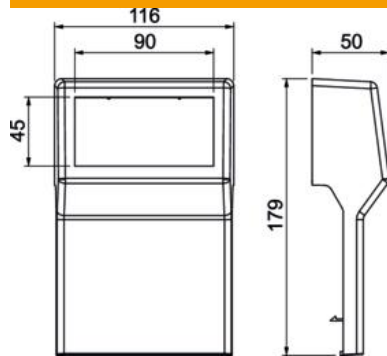
Technical data sheet

Device support SL GT110

Item number: 6134506



Dimensions



Length	116 mm
Width	179 mm
Height	50 mm

Technical data

Number of units	2
Equipment	Without
Decoration	Without
for trunking height	110 mm
Halogen-free	no
Trunking height, max.	110 mm
Duct height, min.	110 mm
Trunking depth	20 mm
Accessory mounting type	Standard
Mounting direction	Vertical
Protection rating	IP40
Protection rating IK code	IK06
Permitted temperature range, max.	60 °C
Permitted temperature range, min.	-5 °C