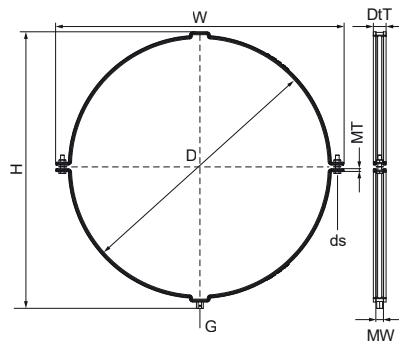


## Walraven Aero® (M8/M10)

(F0504)

for spiral ventilation ducts



### Features & benefits

- with quick locking system
- patented design
- rubber lining is conjoined with the clamp (lining stays attached when sliding the spiral duct)
- material: pipe clamp made of steel
- pre-galvanized
- noise insulating lining made of TPE rubber, black



Product Number	Outside Pipe Diameter	Connection Thread	Total Height	Total Width	Total Depth	Material Width	Material Thickness	Screw Size	Maximum Allowed Load Faz	Approvals
Reference Letter	D	G	H	W	DtT	MW	MT	ds	F <sub>0,z</sub>	
Unit description	mm		mm	mm	mm	mm	mm		N	
4115450	450	M8/M10	498	524	28	25	2.00	M8	1,150	ITB (KOT)
4115500	500	M8/M10	548	574	28	25	2.00	M8	1,150	ITB (KOT)
4115560	560	M8/M10	608	634	28	25	2.00	M8	1,150	ITB (KOT)
4115600	600	M8/M10	649	675	28	25	2.00	M8	1,150	ITB (KOT)
4115630	630	M8/M10	679	705	28	25	2.00	M8	1,150	ITB (KOT)