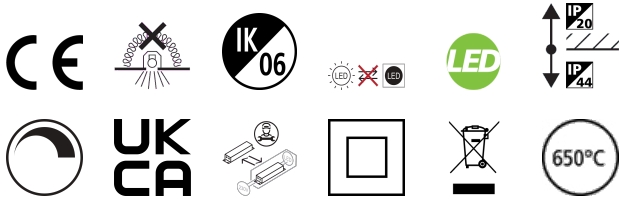


# START Downlight Flat 157 IP44 1000LM 830 DIM

Item No: 0054120

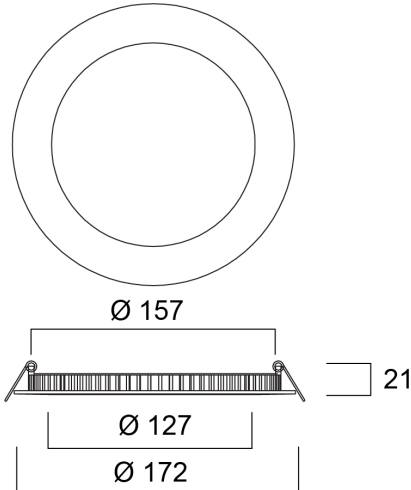
**SYLVANIA**

**START**<sup>TM</sup>



## Technical Assets

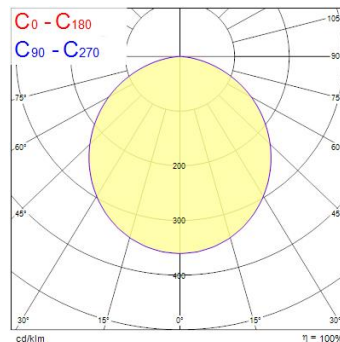
### Dimensions (mm)



### Photometrics

Distance [m]	Cone diameter [m]	Beam angle [°]	Illuminance [lx]
0.5	1.43	55.1°	1442
	1.43	55.0°	138
1.0	2.87	55.1°	361
	2.86	55.0°	34
1.5	4.30	55.1°	165
	4.28	55.0°	15
2.0	5.73	55.1°	90
	5.71	55.0°	9
2.5	7.17	55.1°	58
	7.14	55.0°	5
3.0	8.60	55.1°	40
	8.57	55.0°	4

Distance [m]      Cone diameter [m]      Illuminance [lx]  
 — C0 - C180 (Half beam angle: 110.0°)  
 — C90 - C270 (Half beam angle: 110.2°)



# START Downlight Flat 157 IP44 1000LM 830 DIM

Item No: 0054120



## General data

Product name	START Downlight Flat 157 IP44 1000LM 830 DIM
Technology	LED
Cap/Base	N/A
Housing	Aluminium
Mount	Ceiling recessed mounting
General application	Hospitality
Operating temperature range (°C)	-20°C...+40°C
Performance ambient temperature Tq (°C)	25
ETIM Class	EC001744
E-number FI	4278493
Warranty	5 years

## Optical data

Useful luminous flux (Φuse)	1000
Fixture luminous flux (lm)	1000
Luminaire efficacy (lm/W)	83
Correlated colour temperature (k)	3000
Light colour	Warm White
CRI (Ra)	80
Colour Variation Initial (SDCM)	SDCM3
Beam Angle (°)	120
Distribution type	Symmetric
Glare control	< 28
Photobiological Risk Group	RG0

## Electrical data

Total power consumption (W)	12
Primary Supply/Product voltage - min (V)	220
Lamp power factor	0.9
Electrical protection	Class II
Control gear required	No
Control gear type	LED driver constant current
Dimming method	Mains: leading / trailing edge
Drive current (mA)	300
Inrush Current (A)	2.35
Inrush Duration (µs)	120
Energy Efficiency Class (A->G) of contained light source	E
Nominal Frequency (Hz)	50Hz
LED Flickering Rate	Ultra low (5% or less)
Max. products per 10A C Breaker	95
Max. products per 13A C Breaker	124
Max. products per 16A C Breaker	152
Max. products per 20A C Breaker	190
Max. products per 20A B Breaker	190
Connectable conductor cross section - Min (mm²)	0.75
Connectable conductor cross section - Max (mm²)	1.5

## Lifetime data

Lifespan L70 B50	78000
Lifespan L80 B20	43000
Lifespan L80 B10	42000
Lifespan L90 B10	23000

# START Downlight Flat 157 IP44 1000LM 830 DIM

Item No: 0054120

**SYLVANIA**

## Physical data

Housing colour	RAL 9003 - Signal white
IP rating	IP44/20
IK rating	IK06
Diffuser finish	Opal
Diffuser material	PS Polystyrene
Reflector finish	Not Applicable
Nominal Product Height (mm)	21
Nominal Product Diameter (mm)	172
Built-in diameter (mm)	155
Weight (kg)	0.354

## Packaging

Product EAN number	5410288541204
Packaging single width (cm)	5.0
Packaging single depth (cm)	17.6
DUN14 (inner)	15410288541201
Packaging outer length / height (cm)	53.3

## Safety data

Glow Wire Test (°C)	650
Optimal operating condition (°C)	-20-40