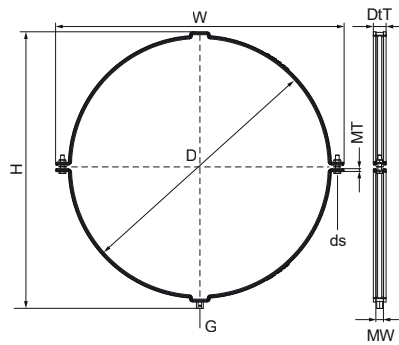


## Walraven Aero® (M8/M10)

(F0504)

for spiral ventilation ducts



### Features & benefits

- with quick locking system
- patented design
- rubber lining is conjoined with the clamp (lining stays attached when sliding the spiral duct)
- material: pipe clamp made of steel
- pre-galvanized
- noise insulating lining made of TPE rubber, black



Product Number	VVS Number	Outside Pipe Diameter	Connection Thread	Total Height	Total Width	Total Depth	Material Width	Material Thickness	Screw Size	Maximum Allowed Load Faz	Approvals
Reference Letter		D	G	H	W	D <sub>t</sub>	MW	MT	ds	F <sub>0,z</sub>	
Unit description		mm		mm	mm	mm	mm	mm		N	
4115450	18025745	450	M8/M10	498	524	28	25	2.00	M8	1,150	ITB (KOT)
4115500	18025750	500	M8/M10	548	574	28	25	2.00	M8	1,150	ITB (KOT)
4115560	18025756	560	M8/M10	608	634	28	25	2.00	M8	1,150	ITB (KOT)
4115600	18025760	600	M8/M10	649	675	28	25	2.00	M8	1,150	ITB (KOT)
4115630	18025763	630	M8/M10	679	705	28	25	2.00	M8	1,150	ITB (KOT)