

41 610 979



- exposed trim parts
- Rain panel with 2 different spray modes
- AQUACIRCLE RAIN: Circular rain curtain, max. flow rate 6.8 l/min (at 3 bar)
- TEMPEST RAIN: Natural rain, max. flow rate 5 l/min (at 3 bar)
- with anti-scale system

Technical data:

- Outer diameter 1240 mm, opening diameter 450 mm
- Weight 22.5 kg
- Matt white cover, RAL 9003

Electric:

- Ambient lighting, LED light color approx. 2700 K
- Technology: LED, not dimmable
- Bulbs protected against splashing water
- Comply with the protection zone regulations as defined in DIN VDE 0100, Part 701 (IEC 60364-7-701).

Environment:

- Not suitable for use in a steam room.
- Not suitable for outdoor use.
- Not suitable for use in chlorinated or salty environments.

Planning tips:

- Provided by customer: Light switch
- Control elements not included among the items supplied

Notes:

Rain panel cover for adaptation to ceiling colour available in all RAL colours, price and delivery time on request

Rain panel cover for adaptation to ceiling colour available in all RAL colours, price and delivery time on request

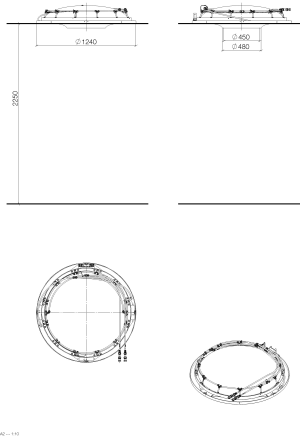
Required miscellaneous



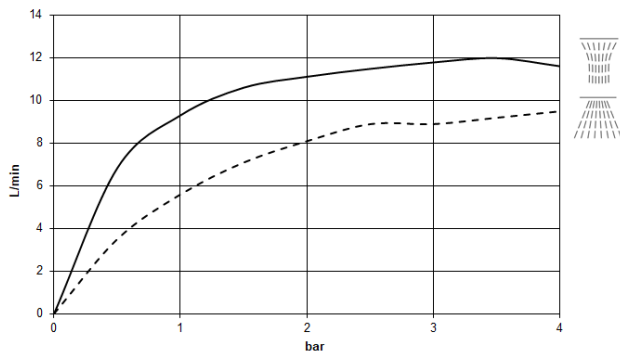
RAINMOON Concealed ceiling installation box - 35 610 970 90

- concealed rough parts
- Ceiling installation enclosure 1356 x 1356 x 290 mm
- Opening diameter 1252 mm
- min. recess depth 290 mm
- Pre-assembly kit for three-way diverter included

41 610 979



Flow rate chart



Codes & Standards

DIN 4109

ISO 3822

Ü-Zeichen



RAINMOON Rainpanel - Matte White

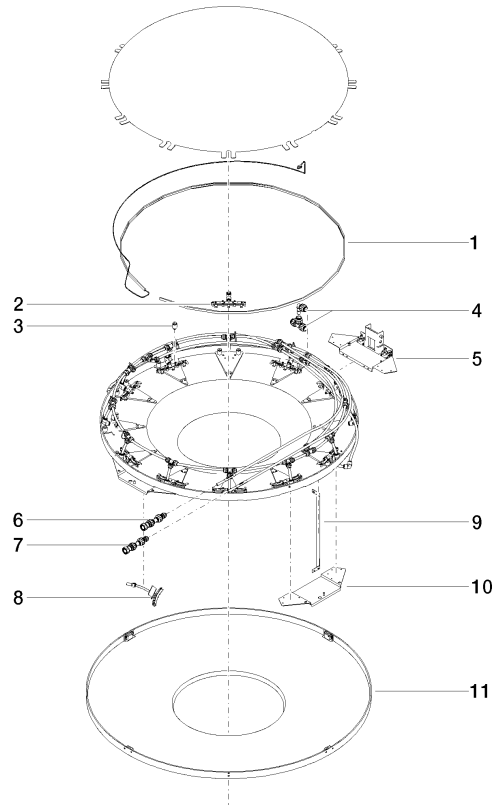
SERIES-VARIOUS

41 610 979

Certificates and sustainability

LGA_29

41 610 979



Spare parts list

No.	Item Number	Name	Quantity used	Delivery time
	3 90 18 40 222 00 90	Adapter Ø 19 x 24 mm -	24.00	14
	1 90 10 01 183 00 90	LED flex strip white for Aquamoon 3100 x 4 x 11 mm -	1.00	14
	5 90 17 20 211 00 90	Mounting Spray link AQUAMOON flow module exposed trim parts 397 x 210 x 110 mm -	1.00	14
	10 90 17 20 216 00 90	Holder Support plate, flow module AQUAMOON flow module exposed trim parts 391 x 120 x 26,8 mm -	3.00	14
	9 90 17 20 217 00 90	Holder Crosspiece, flow module AQUAMOON flow module exposed trim parts 611,5 x 34,8 x 17,5 mm -	4.00	14
	6 90 24 04 346 01 90	AQUACIRCLE Connection Screw-on connector Aquacircle 6.8 l/min Ø 32 x 140 mm -	1.00	14
	4 90 24 04 321 00 90	Union piece Connector kit 215 x 140 x 200 mm -	1.00	14
	7 90 24 04 346 02 90	TEMPEST Connection Screw-on connector Tempest Ø 32 x 140 mm -	1.00	14
	8 90 17 09 057 01 90	Flow module RAINMOON flow module Aquacircle Exposed trim parts 127 x 24 x 170 mm -	12.00	14
	11 90 11 02 325 00 90	Cover Ø 1240 x 80 mm -	1.00	14
	2 90 17 09 056 01 90	Flow module RAINMOON flow module Exposed trim parts 147,4 x 67,5 x 42,5 mm -	12.00	-

Spare part can no longer be ordered, please order the replacement item