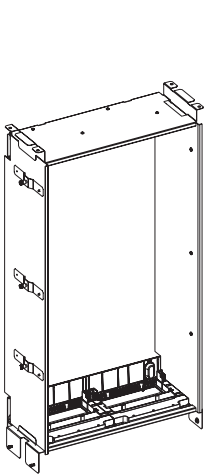
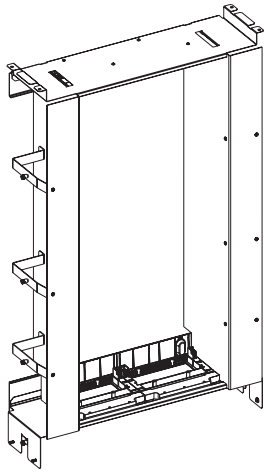


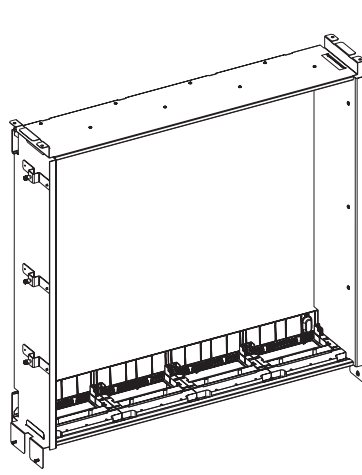
2CPT137065-A



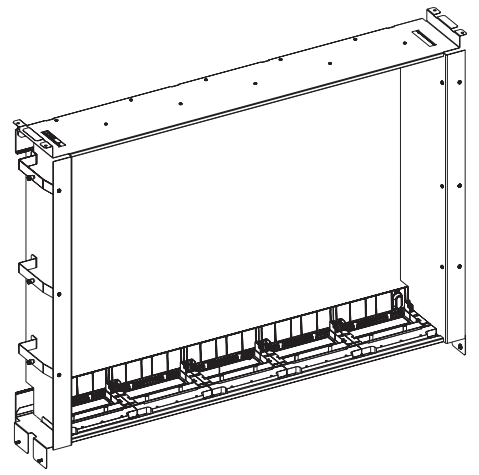
SEC26EH30



SEC27EH31

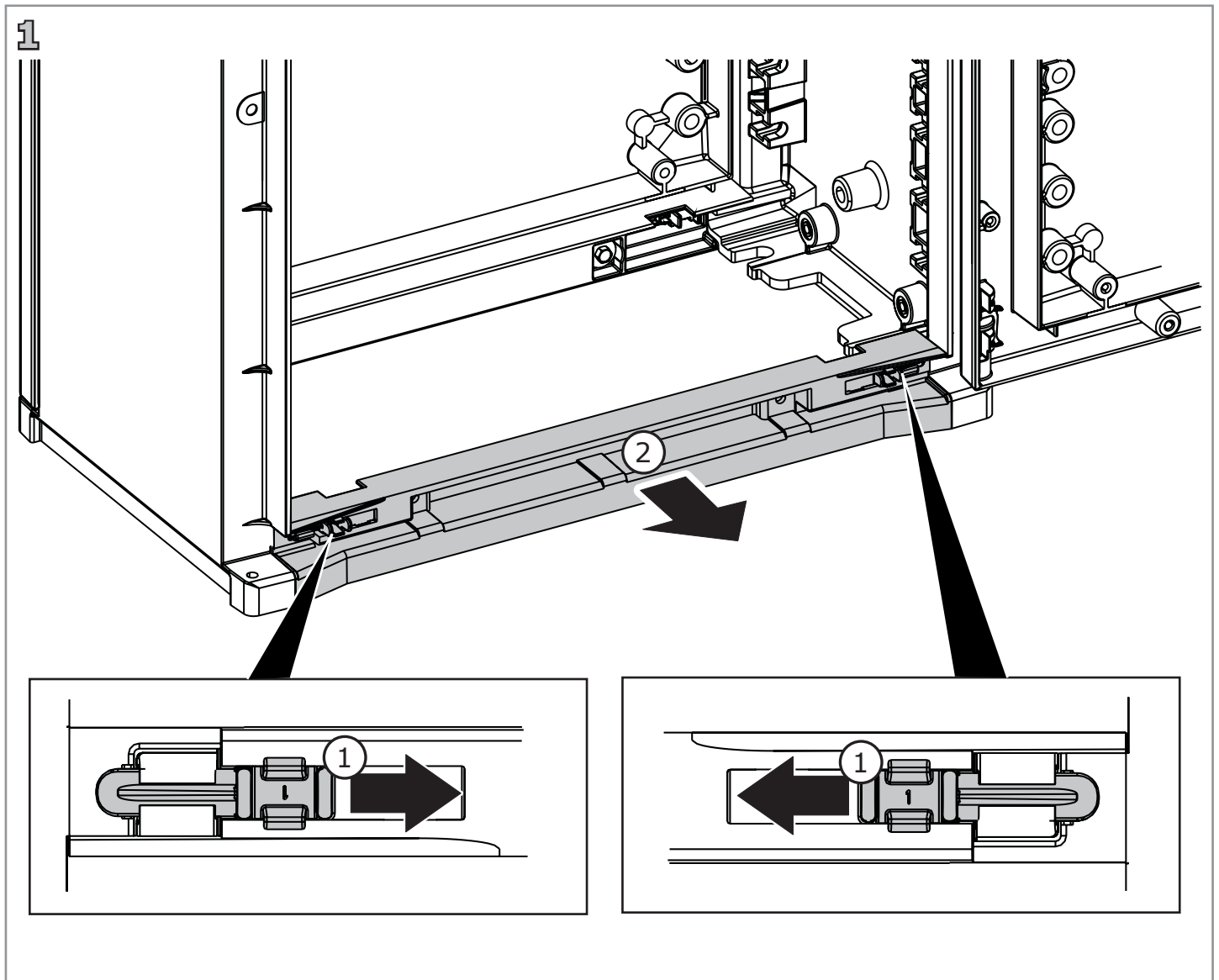


SEC46EH32

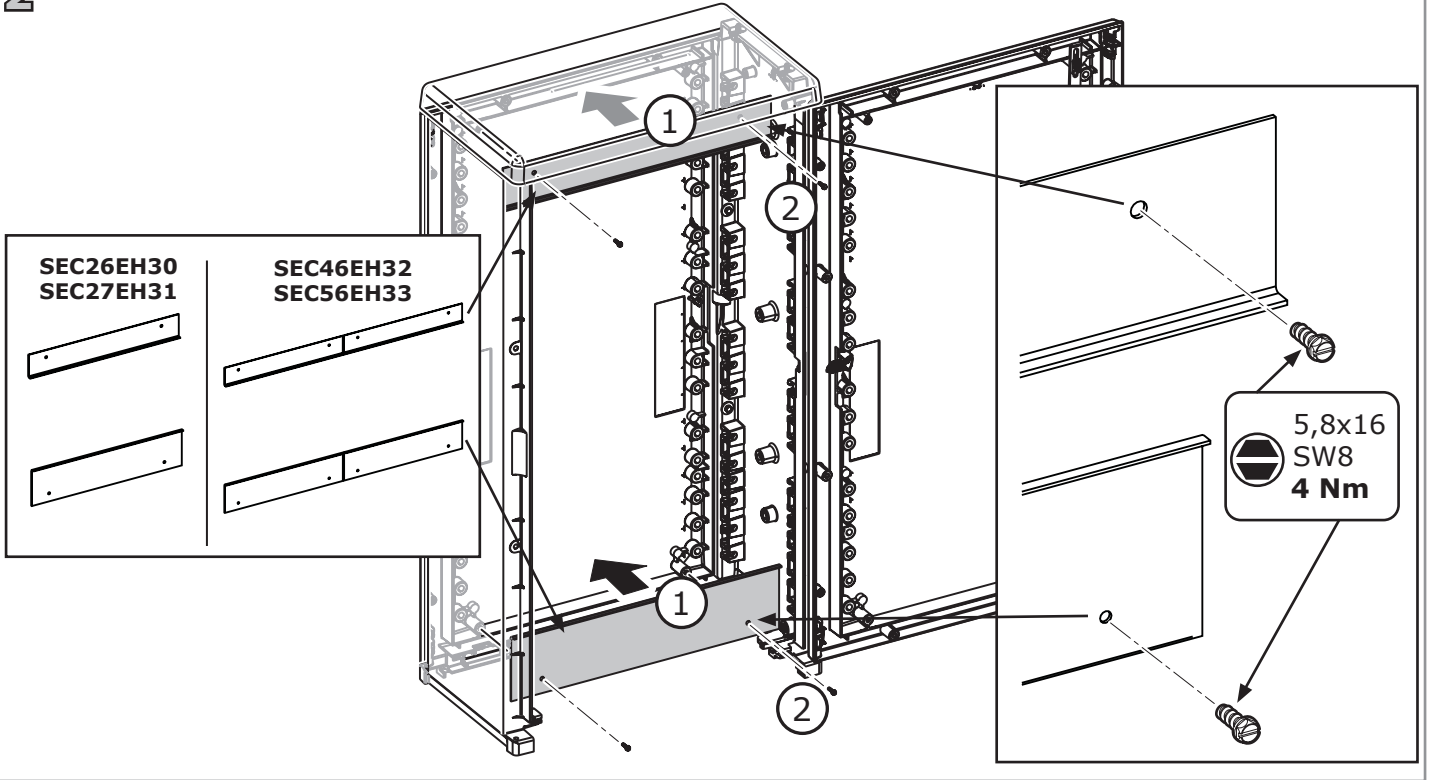


SEC56EH33

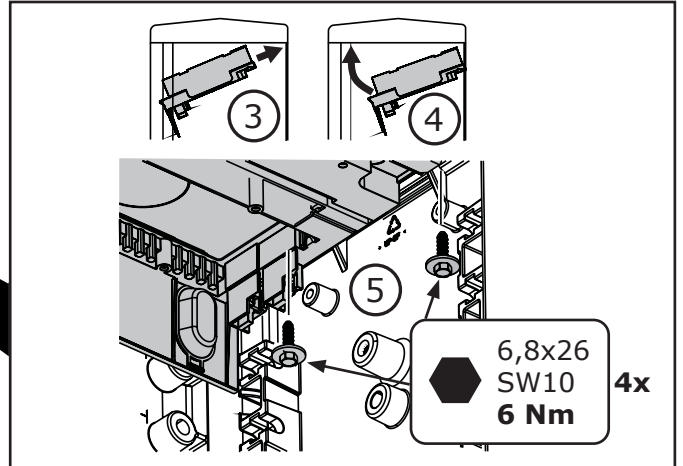
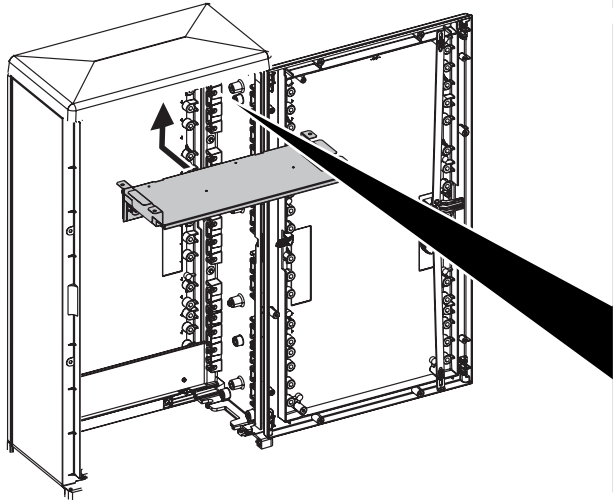
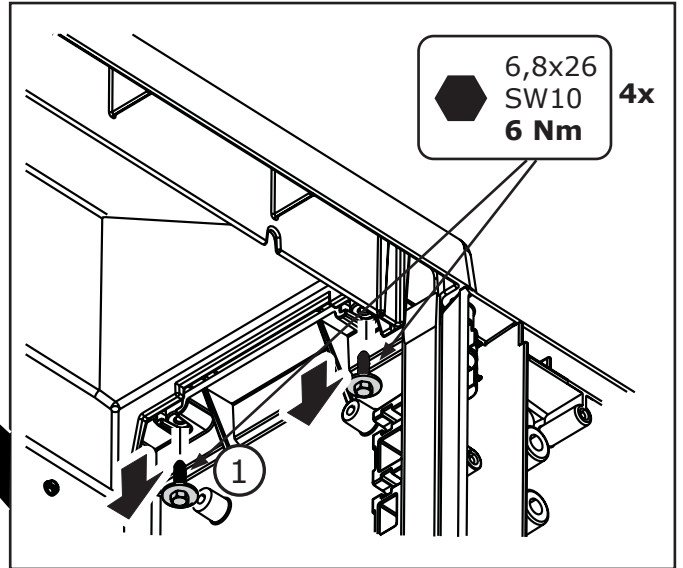
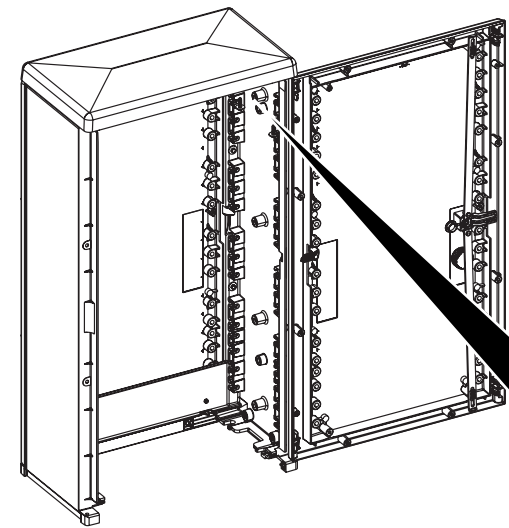
www.striebelundjohn.com			



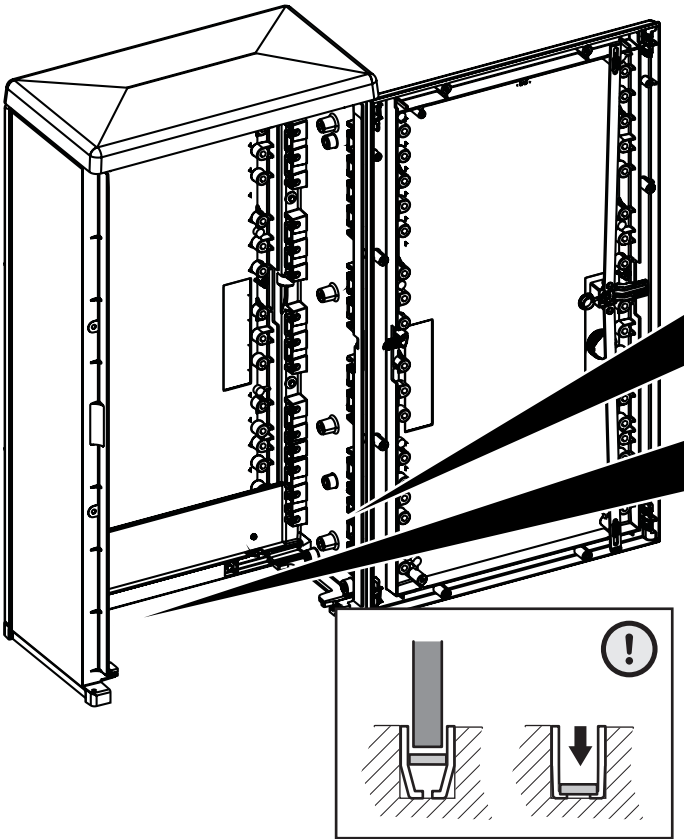
2



3

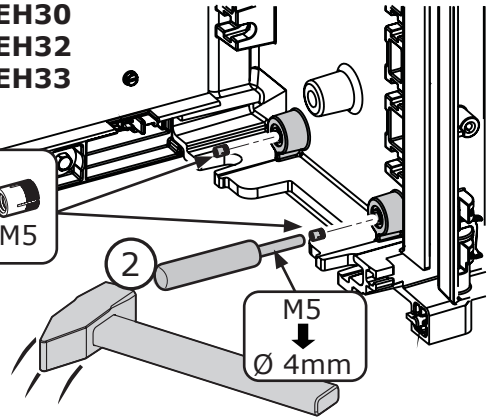


4



**SEC26EH30
SEC46EH32
SEC56EH33**

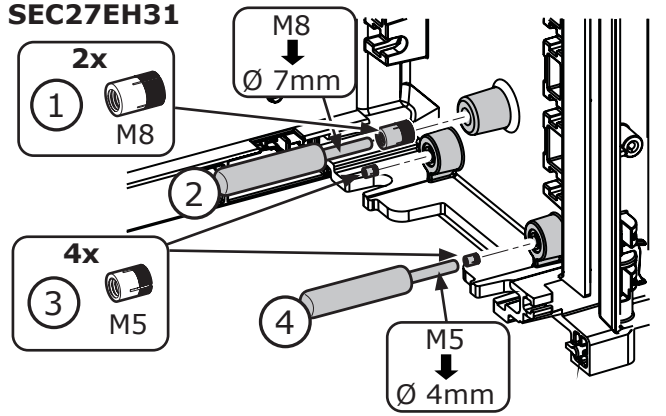
4x
① M5



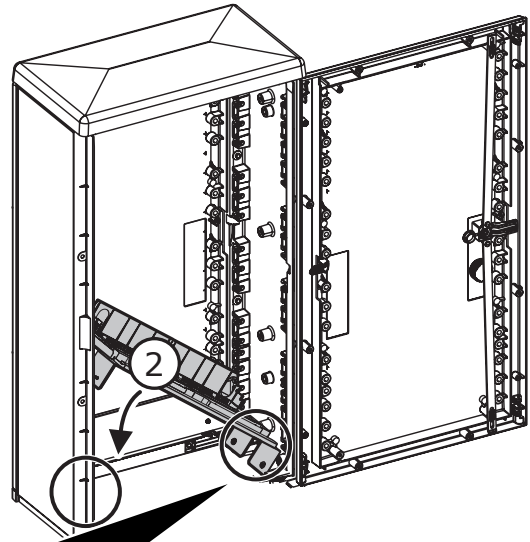
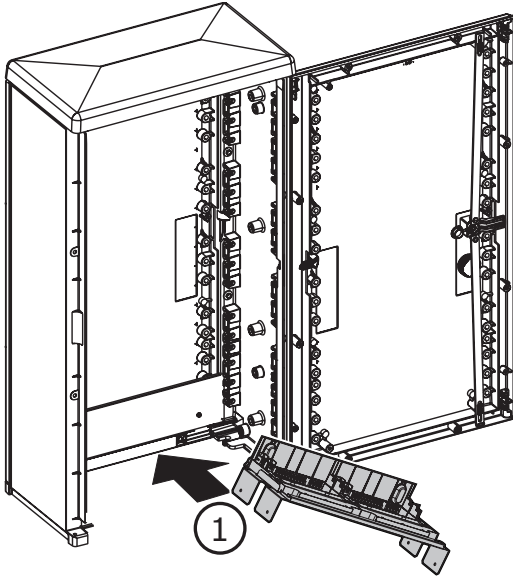
SEC27EH31

2x
① M8

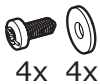
4x
③ M5



5



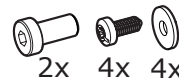
**SEC26EH30
SEC46EH32
SEC56EH33**



4x 4x

M5x12
TX25
4 Nm

SEC27EH31

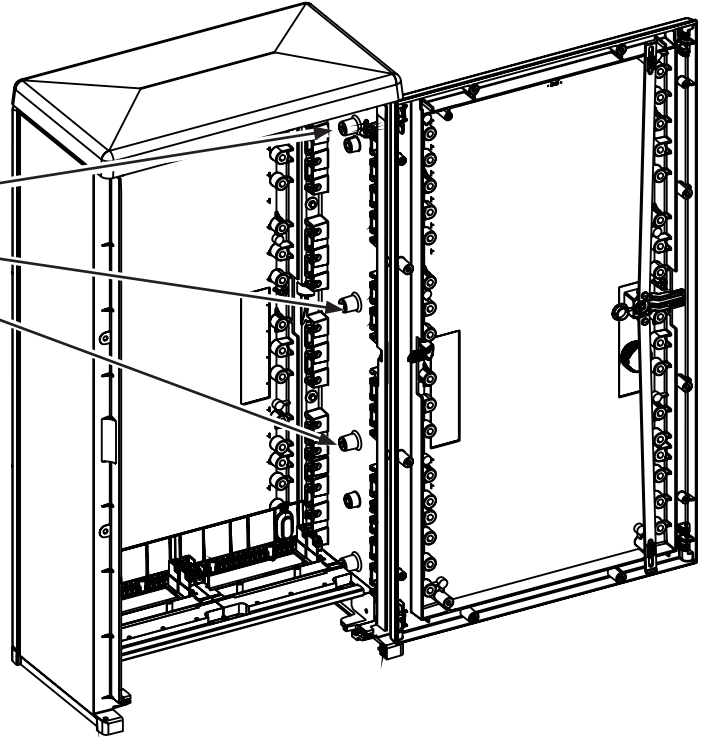
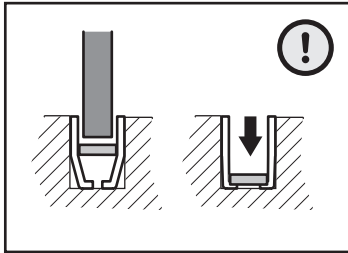
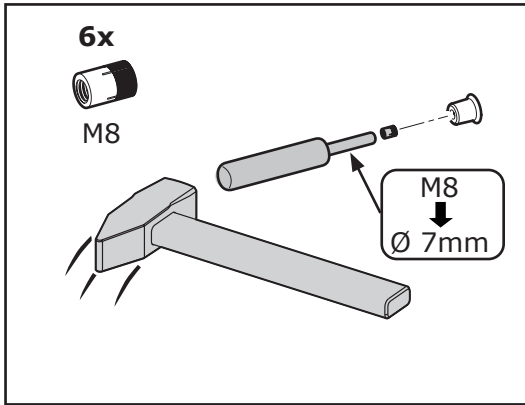


2x 4x 4x

M8x16
SW5
8 Nm

M5x12
TX25
4 Nm

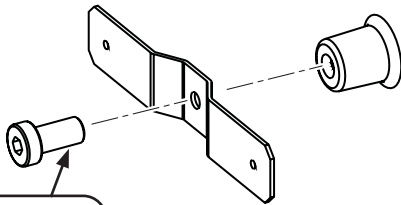
6



7

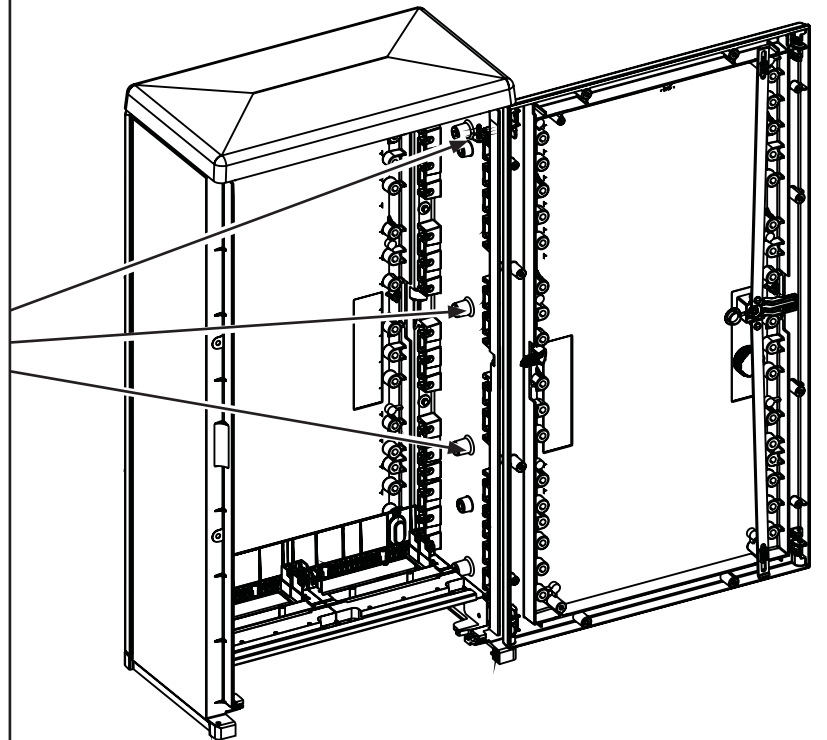
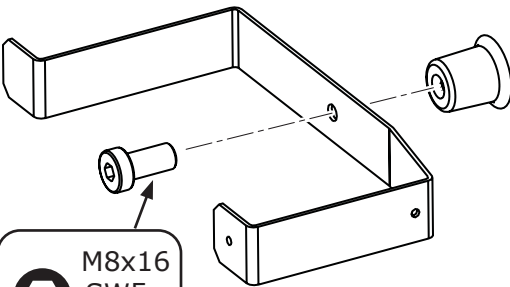
**SEC26EH30
SEC46EH32**

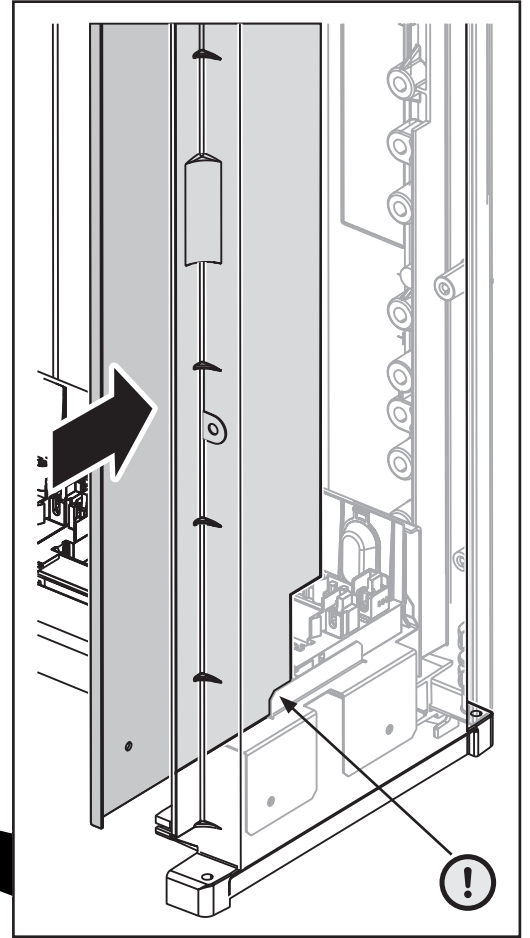
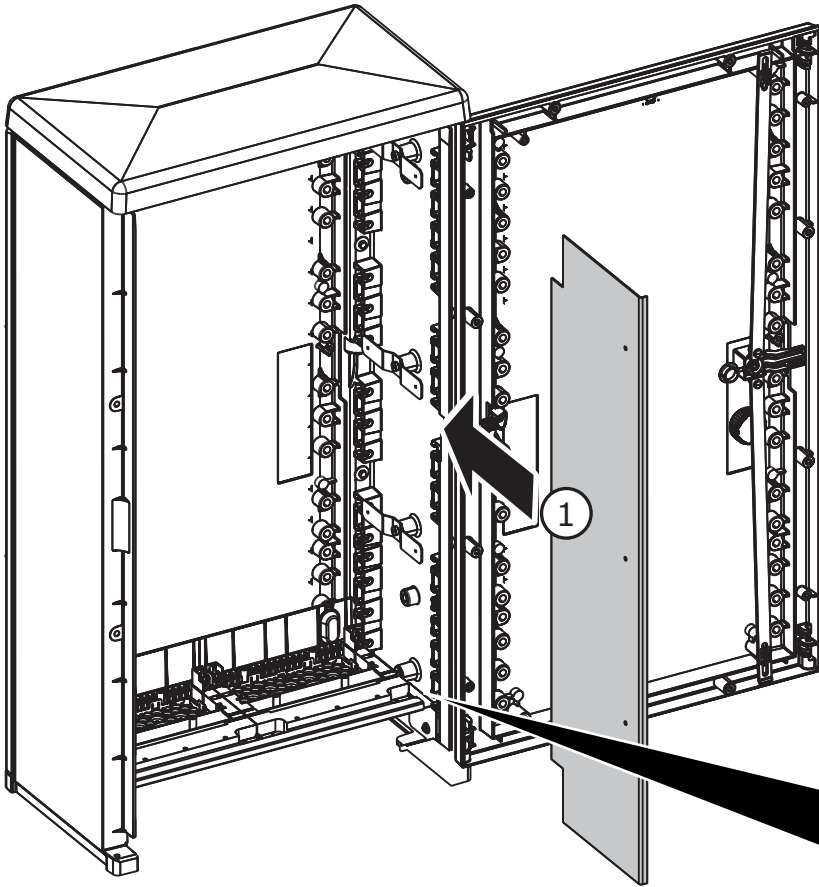
6x



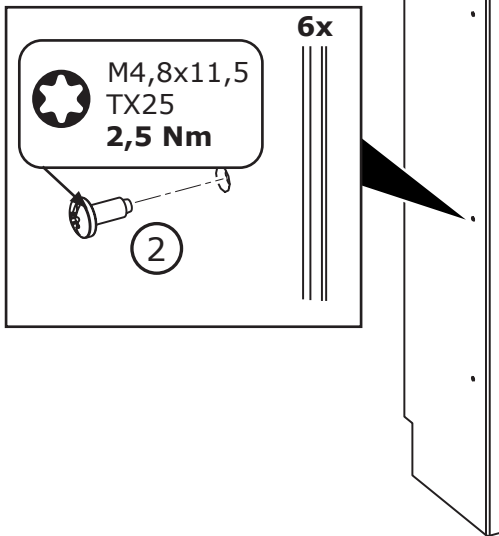
**SEC27EH31
SEC56EH33**

6x

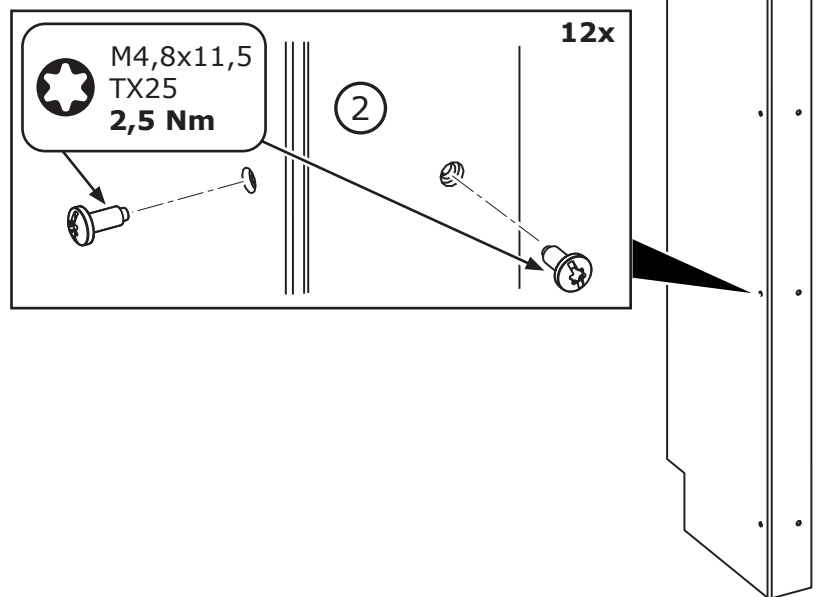




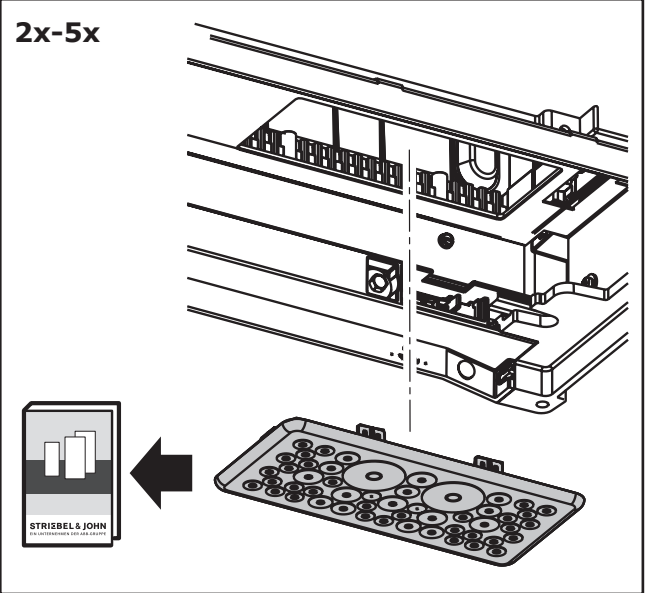
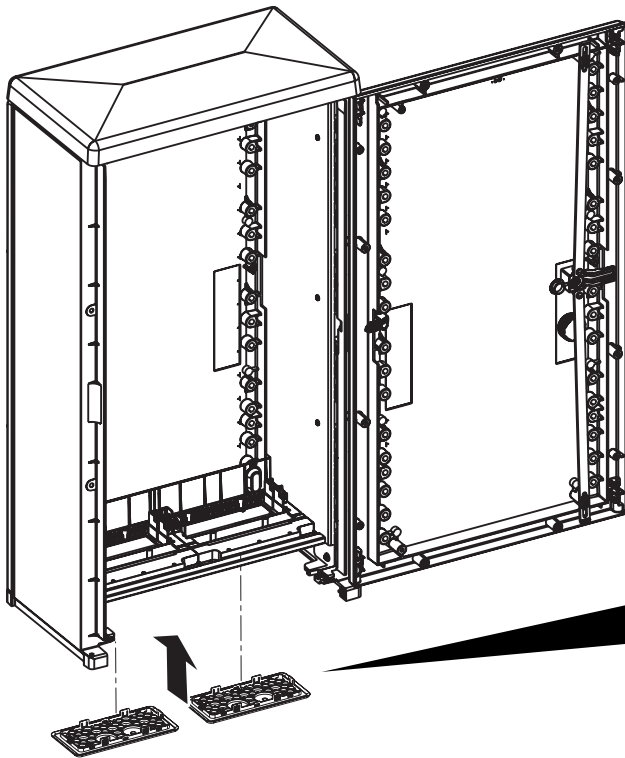
**SEC26EH30
SEC46EH32**



**SEC27EH31
SEC56EH33**



9



10

