

Busch-Welcome®

A21381P.-S Video outdoor station, 1,2,3 gangs



1	Safety	3
2	Intended use.....	3
3	Environment	3
3.1	Busch-Jaeger devices.....	3
4	Product description.....	4
4.1	Control elements	4
4.2	Terminal description.....	5
5	Technical data	7
6	Mounting/Installation	8
6.1	Requirement for the electrician	8
6.2	General installation instructions	9
6.3	Mounting	10
6.3.1	Preparation	10
6.3.2	Surface-mounted installation	10
6.3.3	Flush-mounted installation	11
6.3.4	Cavity wall installation	12
6.3.5	Dismantling	13
6.3.6	Replacing the nameplate	13
7	Addressing	14
7.1	Address setting	14
7.2	Application case	15
8	Notice	16

1 Safety



Warning

Electric voltage!

Dangerous currents flow through the body when coming into direct or indirect contact with live components.

This can result in electric shock, burns or even death.

- Disconnect the mains power supply prior to installation and/or disassembly!
- Permit work on the 100-240 V supply system to be performed only by specialist staff!

2 Intended use

As a part of the Busch-Welcome® system, this device can only be used with accessories from that system.

3 Environment



Consider the protection of the environment!

Used electric and electronic devices must not be disposed of with household waste.

- The device contains valuable raw materials that can be recycled. Therefore, dispose of the device at the appropriate collecting facility.

3.1 Busch-Jaeger devices

All packaging materials and devices from Busch-Jaeger bear the markings and test seals for proper disposal. Always dispose of the packing materials and electric devices and their components via an authorized collection facility or disposal company.

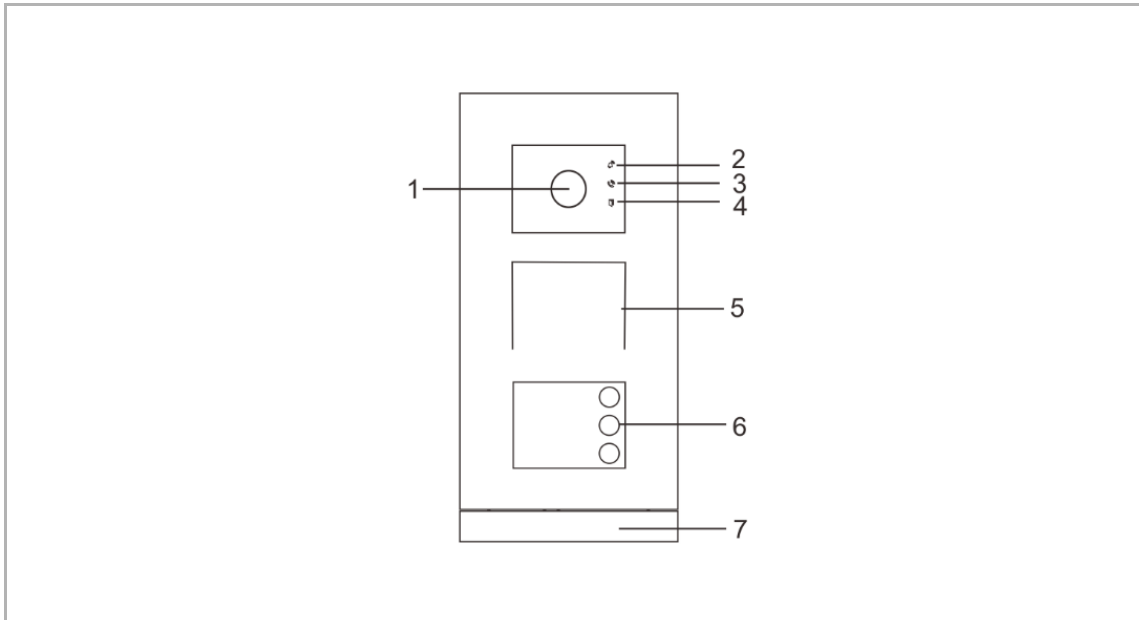
Busch-Jaeger products meet the legal requirements, in particular the laws governing electronic and electrical devices and the REACH ordinance.

(EU-Directive 2012/19/EU WEEE and 2011/65/EU RoHS)

(EU-REACH ordinance and law for the implementation of the ordinance (EG) No.1907/2006)

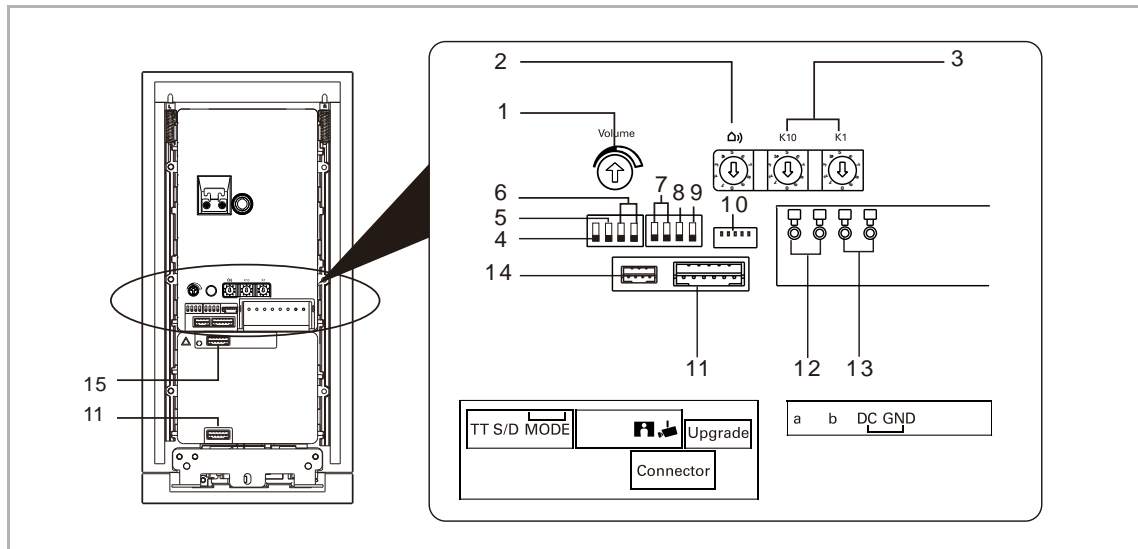
4 Product description



4.1 Control elements



No	Function
1	Camera
2	Ring indicator <ul style="list-style-type: none"> ▪ flashes slowly: ringing ▪ flashes quickly: busy line
3	Call indicator
4	Unlock indicator
5	Speaker and microphone integration
6	Round pushbutton
7	End strip

4.2 Terminal description



No	Function
1	Adjust loudspeaker volume
2	Set the outdoor station address (1...9)
3	Set the indoor station start address (1...99) Selector switch K10 sets the tens digits, selector switch K1 sets the one digits. The default setting is K1=1 and K10=0. Please see the "Addressing" chapter for more details.
4	Set feedback tone of pushbutton, ON = enable
5	Set pushbutton as single column or double columns, ON = double
6	Set function of 1st/2nd pushbutton 3->OFF,4->OFF, call indoor station/call indoor station 3->ON,4->OFF, switch on light/call indoor station 3->OFF,4->ON, N/A 3->ON,4->ON, N/A
7	N/A
8	 Enable/disable snapshot function, ON = enable
9	 Enable/disable surveillance function, ON = enable
10	Connector for upgrade (Only for factory use)
11	Connector for next module
12	Plug-in clamps (a - b) for bus connection and power input
13	Plug-in clamps (DC - GND) for additional power supply
14	N/A
15	Connector for previous module

5 Technical data

Designation	Value
Input (a, b)	24 V $\overline{=}$
Operating voltage range	20-30 V $\overline{=}$
Standby current	24 V $\overline{=}$, 70 mA
Operating current	24 V $\overline{=}$, 160 mA
Operating temperature	-40 °C...+55 °C
Camera type	CMOS
Image sensor	CMOS sensor 1/3.2"
Effective pixels	1292 (H) x 968 (V)
Resolution	550 TV lines
Horizontal detection angle	approx.100°
Vertical detection angle	approx.70°
Diagonal detection angle	approx.130°
Camera Standard	PAL
Single-wire clamps	2 x 0.28 mm ² ...2 x 0.75 mm ²
Fine-wire clamps	2 x 0.28 mm ² ...2 x 0.75 mm ²
IP level	IP 54
IK level	IK 07

6 Mounting/Installation



Warning

Electric voltage!

Dangerous currents flow through the body when coming into direct or indirect contact with live components.

This can result in electric shock, burns or even death.

- Disconnect the mains power supply prior to installation and/or disassembly!
- Permit work on the 100-240 V supply system to be performed only by specialist staff!

6.1 Requirement for the electrician



Warning

Electric voltage!

Install the device only if you have the necessary electrical engineering knowledge and experience.

- Incorrect installation endangers your life and that of the user of the electrical system.
- Incorrect installation can cause serious damage to property, e.g. due to fire.

The minimum necessary expert knowledge and requirements for the installation are as follows:

- Apply the "five safety rules" (DIN VDE 0105, EN 50110):
 1. Disconnect
 2. Secure against being re-connected
 3. Ensure there is no voltage
 4. Connect to earth and short-circuit
 5. Cover or barricade adjacent live parts.
- Use suitable personal protective clothing.
- Use only suitable tools and measuring devices.
- Check the type of supply network (TN system, IT system, TT system) to secure the following power supply conditions (classic connection to ground, protective grounding, necessary additional measures, etc.).

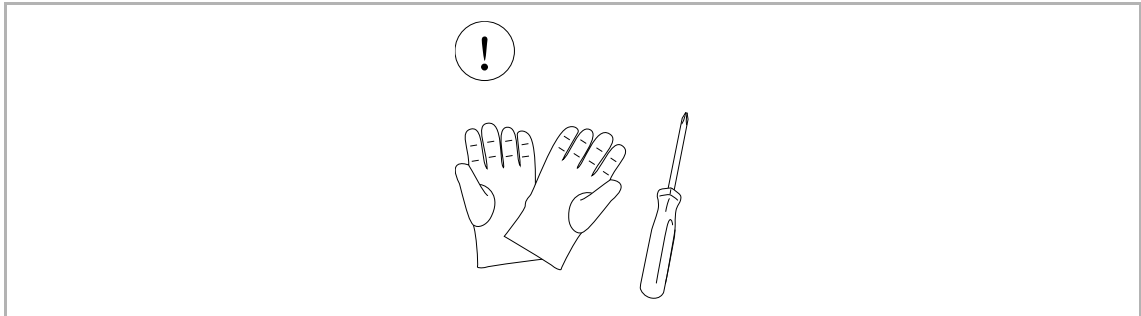
6.2 General installation instructions

- Terminate all branches of the wiring system via a connected bus device (e.g., indoor station, outdoor station, system device).
- Do not install the system controller directly next to the bell transformer and other power supplies (to avoid interference).
- Do not install the wires of the system bus together with 100-240 V wires.
- Do not use common cables for the connecting wires of the door openers and wires of the system bus.
- Avoid bridges between different cable types.
- Use only two wires for the system bus in a four-core or multi-core cable.
- When looping, never install the incoming and outgoing bus inside the same cable.
- Never install the internal and external bus inside the same cable.
- For optimum tone quality ensure that the module is seated correctly. Press the microphone with the microphone adjuster directly against the voice plate.

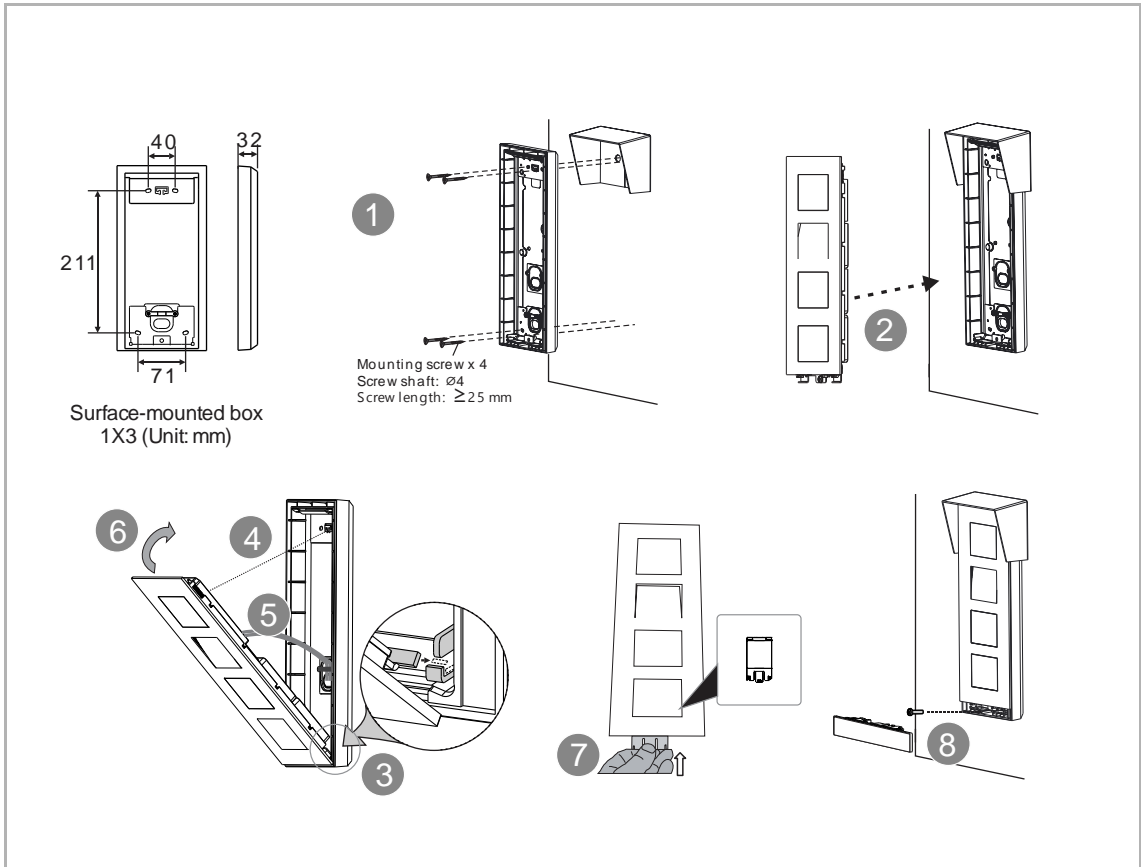
6.3 Mounting

6.3.1 Preparation

Use gloves to protect yourself from being cut.

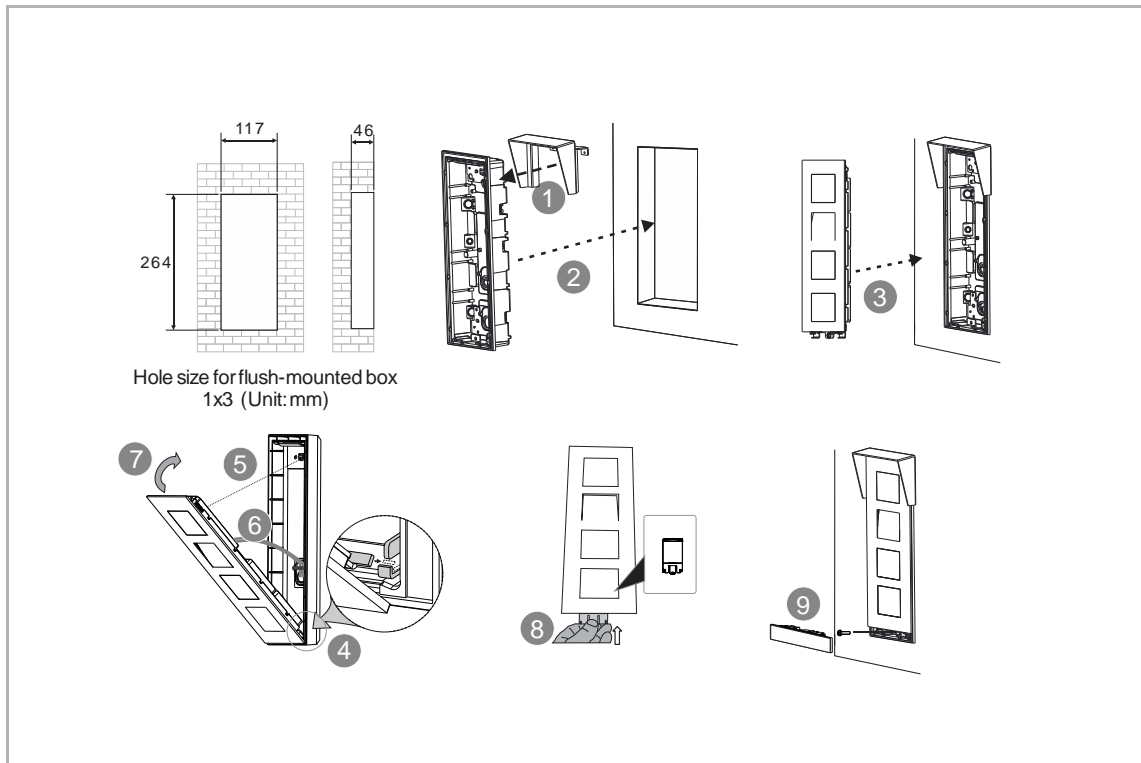


6.3.2 Surface-mounted installation

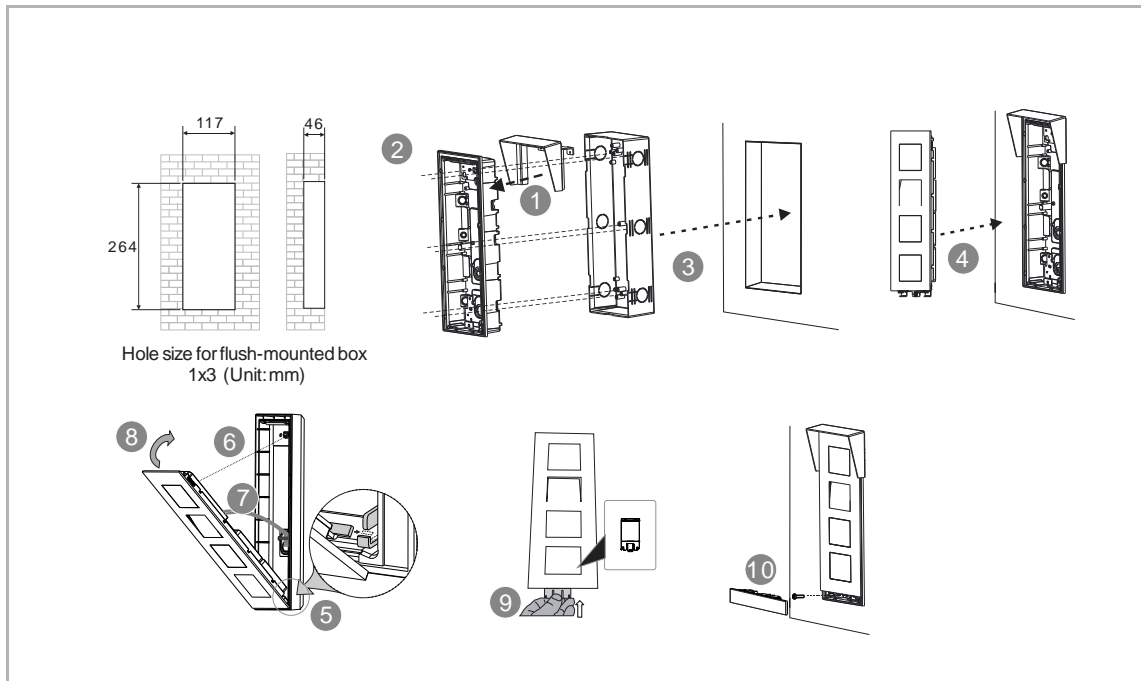


6.3.3 Flush-mounted installation

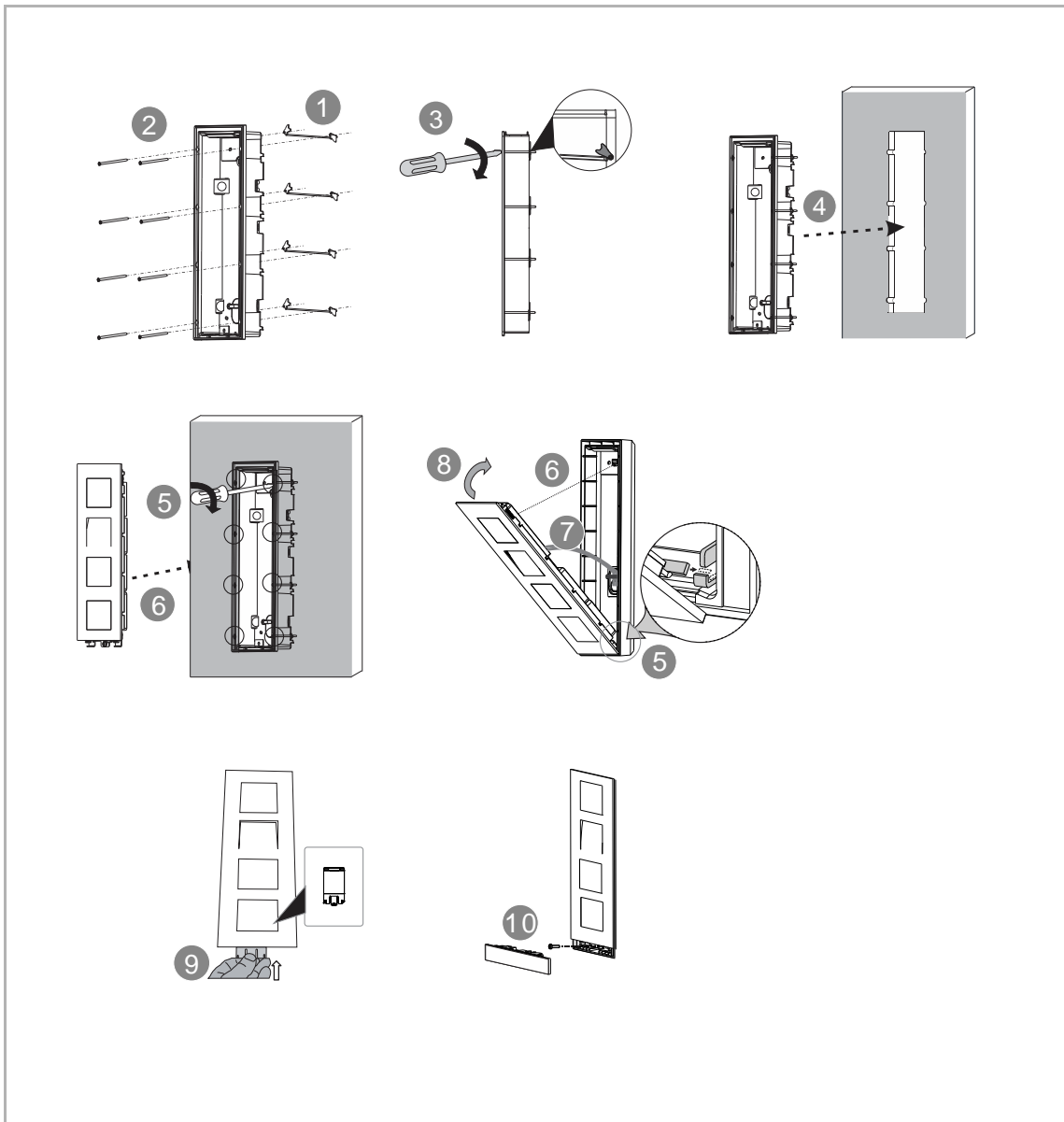
Without pre-installation box



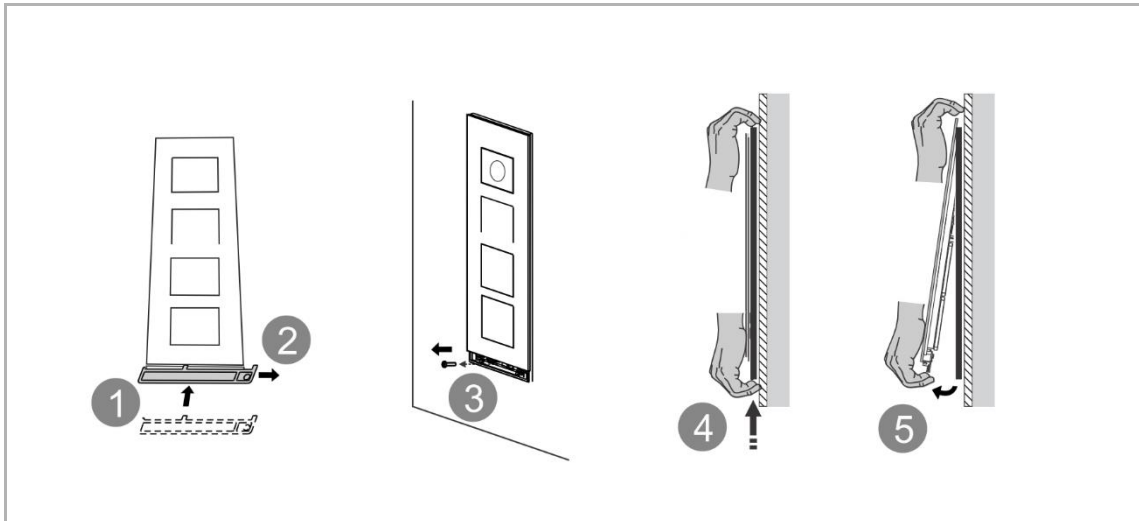
With Pre-installation box



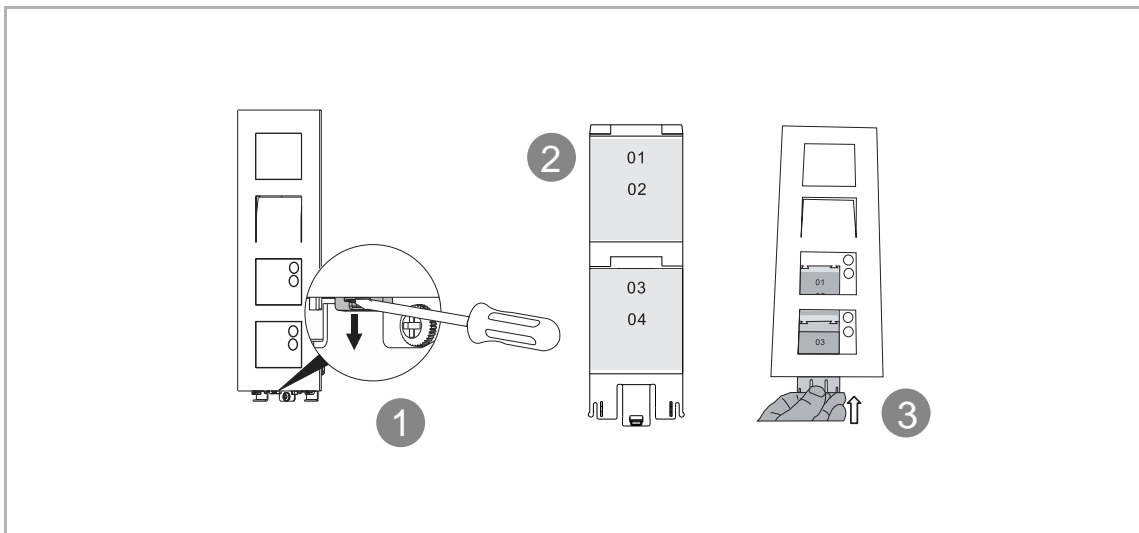
6.3.4 Cavity wall installation



6.3.5 Dismantling



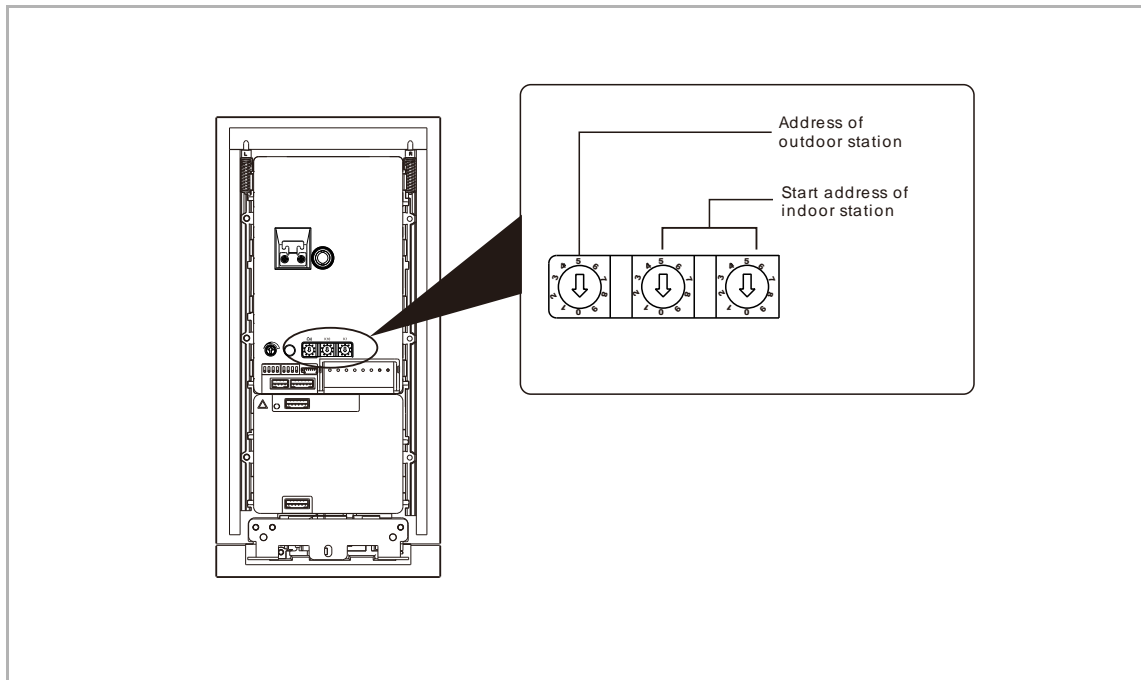
6.3.6 Replacing the nameplate



7 Addressing

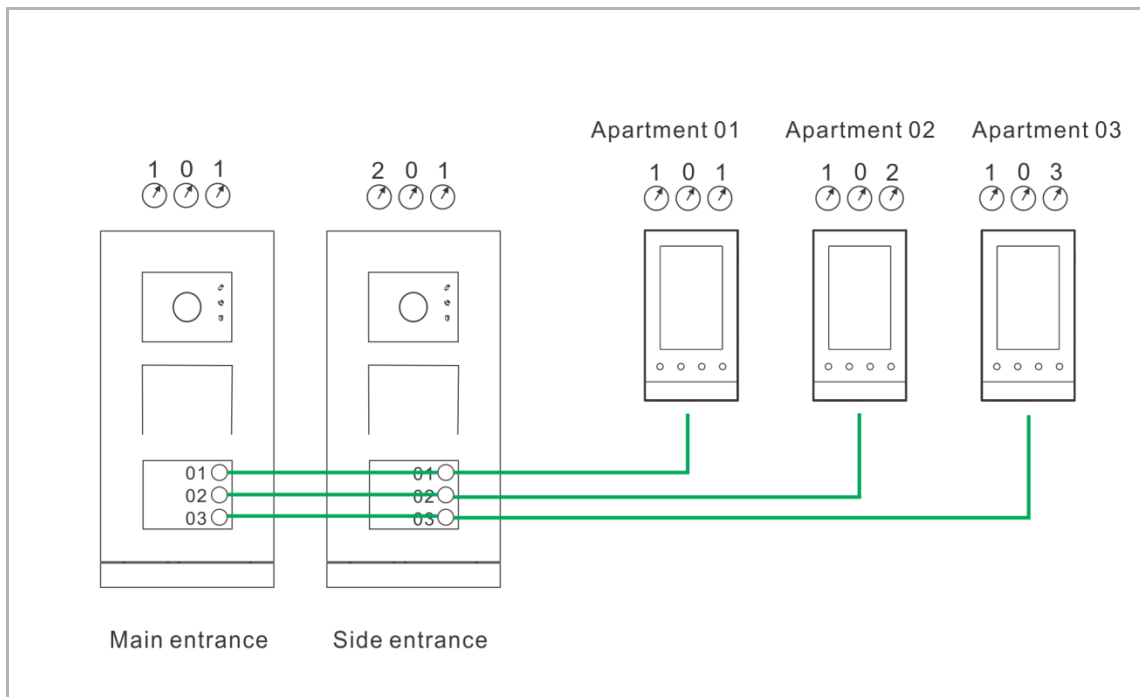
7.1 Address setting

Selector switch K10 sets the tens digits, selector switch K1 sets the one digits. The default setting is K1=1 and K10=0.

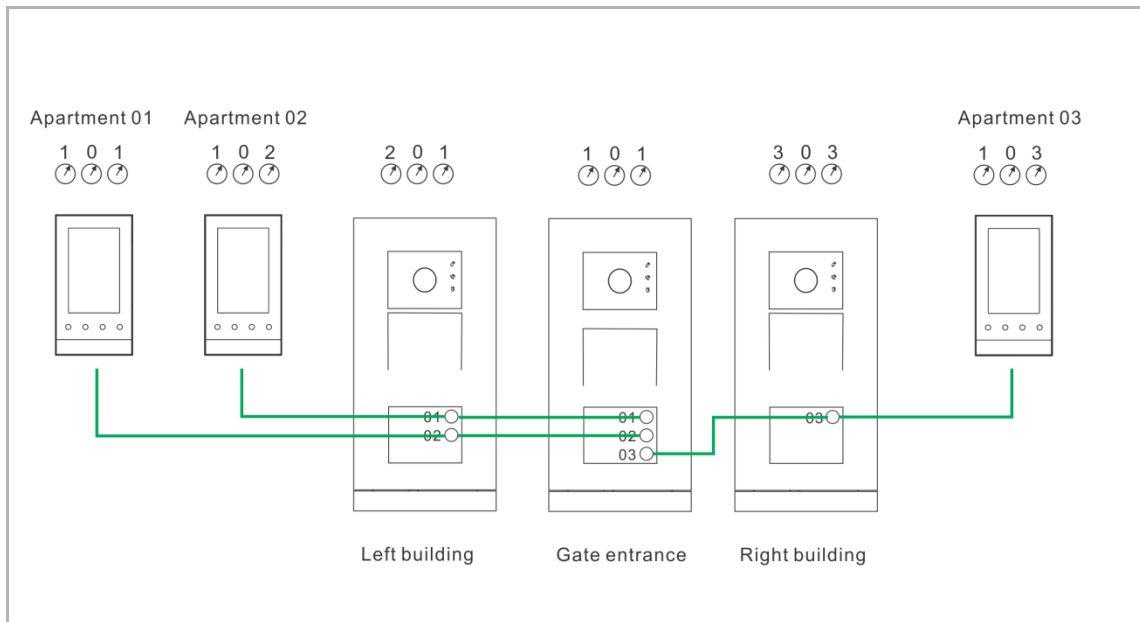


7.2 Application case

User case 1: 2 entrances in one building



User case 2: 3 buildings in one community.



8 Notice

We reserve the right to at all times make technical changes as well as changes to the contents of this document without prior notice.

The detailed specifications agreed to at the time of ordering apply to all orders. Busch-Jaeger accepts no responsibility for possible errors or incompleteness in this document.

We reserve all rights to this document and the topics and illustrations contained therein. The document and its contents, or excerpts thereof, must not be reproduced, transmitted or reused by third parties without prior written consent by Busch-Jaeger.

Busch-Jaeger Elektro GmbH

58513 Lüdenscheid
Freisenbergstraße 2

busch-jaeger.de
info.bje@de.abb.com

Kundenservice:
Tel.: +49 2351 956-1600
Fax: +49 2351 956-1700

Notice

We reserve the right to at all times make technical changes as well as changes to the contents of this document without prior notice.

The detailed specifications agreed upon apply for orders. Busch-Jaeger accepts no responsibility for possible errors or incompleteness in this document.

We reserve all rights to this document and the topics and illustrations contained therein. The document and its contents, or extracts thereof, must not be reproduced, transmitted or reused by third parties without prior written consent by Busch-Jaeger.