

## Data Sheet | Item Number: 709-167

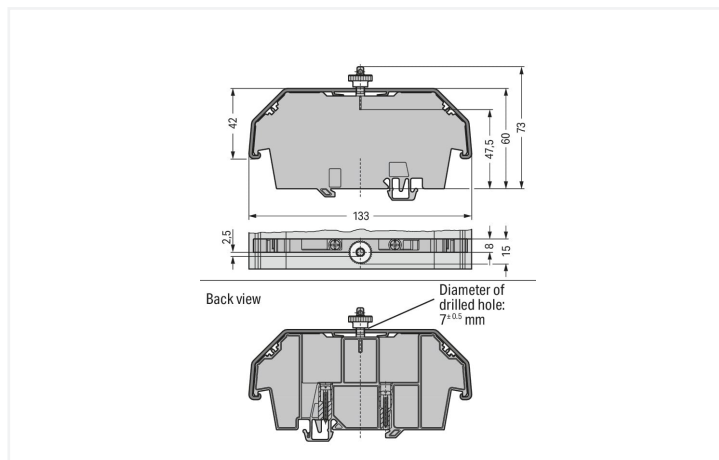
Cover carrier; Type 1; incl. fixing/retaining screws and knurled nut; suitable for 279 to 282 and 880 Series rail-mounted terminal blocks; suitable for 264 Series miniature rail-mounted terminal blocks; suitable for 270 Series sensor and actuator terminal blocks; gray



<https://www.wago.com/709-167>



Color: ■ gray



Dimensions in mm

### Technical data

Mounting type DIN-35 rail

### Physical data

Width 8 mm / 0.315 inches  
Height 133 mm / 5.236 inches  
Depth from upper-edge of DIN-rail 73 mm / 2.874 inches

### Material data

Color gray  
Fire load 0.675 MJ  
Weight 19.6 g

### Commercial data

eCl@ss 10.0 27-14-11-92  
eCl@ss 9.0 27-14-11-92  
ETIM 8.0 EC002848  
ETIM 7.0 EC002848  
PU (SPU) 10 pcs  
Packaging type Box  
Country of origin DE  
GTIN 4045454261078  
Customs tariff number 39269097900

**Environmental Product Compliance**

RoHS Compliance Status Compliant, No Exemption

**Downloads**

**Environmental Product Compliance**

Compliance Search	
Environmental Product Compliance 709-167	<a href="#">↓</a>

**Documentation**

Bid Text			
709-167	31.08.2017	doc 25.00 KB	<a href="#">↓</a>
709-167	19.02.2019	xml 2.98 KB	<a href="#">↓</a>

**CAD/CAE-Data**

CAD data	
2D/3D Models 709-167	<a href="#">↓</a>

CAE data	
EPLAN Data Portal 709-167	<a href="#">↓</a>
WSCAD Universe 709-167	<a href="#">↓</a>
ZUKEN Portal 709-167	<a href="#">↓</a>

**1 Compatible Products**

**1.1 Optional Accessories**

**1.1.1 Installation**

**1.1.1.1 Cover**



**Item No.: 709-153**  
Cover; Type 1; suitable for cover carrier, type 1; 1 m long; transparent

**1.1.1.2 Mounting accessories**



**Item No.: 209-196**  
Spare fixing/retaining screw; for cover



**Item No.: 210-549**  
Spare knurled nut; for cover

1.1.2 Marking

1.1.2.1 Marker



**Item No.: 793-5501/000-006**

WMB marking card; as card; for terminal block width 5 - 17.5 mm; stretchable 5 - 5.2 mm; plain; snap-on type; blue



**Item No.: 793-5501/000-014**

WMB marking card; as card; for terminal block width 5 - 17.5 mm; stretchable 5 - 5.2 mm; plain; snap-on type; brown



**Item No.: 793-5501/000-007**

WMB marking card; as card; for terminal block width 5 - 17.5 mm; stretchable 5 - 5.2 mm; plain; snap-on type; gray



**Item No.: 793-5501/000-023**

WMB marking card; as card; for terminal block width 5 - 17.5 mm; stretchable 5 - 5.2 mm; plain; snap-on type; green



**Item No.: 793-5501/000-017**

WMB marking card; as card; for terminal block width 5 - 17.5 mm; stretchable 5 - 5.2 mm; plain; snap-on type; light green



**Item No.: 793-5501/000-012**

WMB marking card; as card; for terminal block width 5 - 17.5 mm; stretchable 5 - 5.2 mm; plain; snap-on type; orange



**Item No.: 793-5501/000-005**

WMB marking card; as card; for terminal block width 5 - 17.5 mm; stretchable 5 - 5.2 mm; plain; snap-on type; red



**Item No.: 793-5501/000-024**

WMB marking card; as card; for terminal block width 5 - 17.5 mm; stretchable 5 - 5.2 mm; plain; snap-on type; violet



**Item No.: 793-5501**

WMB marking card; as card; for terminal block width 5 - 17.5 mm; stretchable 5 - 5.2 mm; plain; snap-on type; white



**Item No.: 793-5501/000-002**

WMB marking card; as card; for terminal block width 5 - 17.5 mm; stretchable 5 - 5.2 mm; plain; snap-on type; yellow



**Item No.: 793-501/000-006**

WMB marking card; as card; not stretchable; plain; snap-on type; blue



**Item No.: 793-501/000-007**

WMB marking card; as card; not stretchable; plain; snap-on type; gray



**Item No.: 793-501/000-023**

WMB marking card; as card; not stretchable; plain; snap-on type; green



**Item No.: 793-501/000-017**

WMB marking card; as card; not stretchable; plain; snap-on type; light green



**Item No.: 793-501/000-012**

WMB marking card; as card; not stretchable; plain; snap-on type; orange



**Item No.: 793-501/000-005**

WMB marking card; as card; not stretchable; plain; snap-on type; red



**Item No.: 793-501/000-024**

WMB marking card; as card; not stretchable; plain; snap-on type; violet



**Item No.: 793-501**

WMB marking card; as card; not stretchable; plain; snap-on type; white



**Item No.: 793-501/000-002**

WMB marking card; as card; not stretchable; plain; snap-on type; yellow



**Item No.: 2009-115/000-006**

WMB-Inline; for Smart Printer; 1500 pieces on roll; stretchable 5 - 5.2 mm; plain; snap-on type; blue



**Item No.: 2009-115/000-007**

WMB-Inline; for Smart Printer; 1500 pieces on roll; stretchable 5 - 5.2 mm; plain; snap-on type; gray



**Item No.: 2009-115/000-023**

WMB-Inline; for Smart Printer; 1500 pieces on roll; stretchable 5 - 5.2 mm; plain; snap-on type; green



**Item No.: 2009-115/000-017**

WMB-Inline; for Smart Printer; 1500 pieces on roll; stretchable 5 - 5.2 mm; plain; snap-on type; light green



**Item No.: 2009-115/000-012**

WMB-Inline; for Smart Printer; 1500 pieces on roll; stretchable 5 - 5.2 mm; plain; snap-on type; orange



**Item No.: 2009-115/000-024**

WMB-Inline; for Smart Printer; 1500 pieces on roll; stretchable 5 - 5.2 mm; plain; snap-on type; violet



**Item No.: 2009-115**

WMB-Inline; for Smart Printer; 1500 pieces on roll; stretchable 5 - 5.2 mm; plain; snap-on type; white



**Item No.: 2009-115/000-002**

WMB-Inline; for Smart Printer; 1500 pieces on roll; stretchable 5 - 5.2 mm; plain; snap-on type; yellow

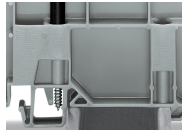
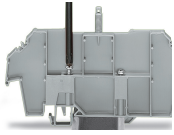
Installation Notes

Installation



Snapping a cover carrier onto the DIN-rail.

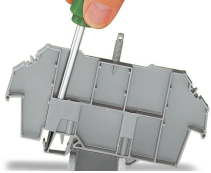
## Installation



Tightening both securing screw (left) and mounting screw (right).

Securing screw – prevents lifting off from the rail.  
Mounting screw – prevents the cover carrier from being moved on the rail.

## Removal



Removing a cover carrier from the DIN-rail.

## Security



Cover with lead seals:  
Using covers without lead seals, the thread dome-head can be broken off.

## Security



Application example:  
Cover (type 1) without safety warning



Application example:  
Cover (type 1) with safety warning

## Security



Application example:  
Cover (type 1) with safety warning