

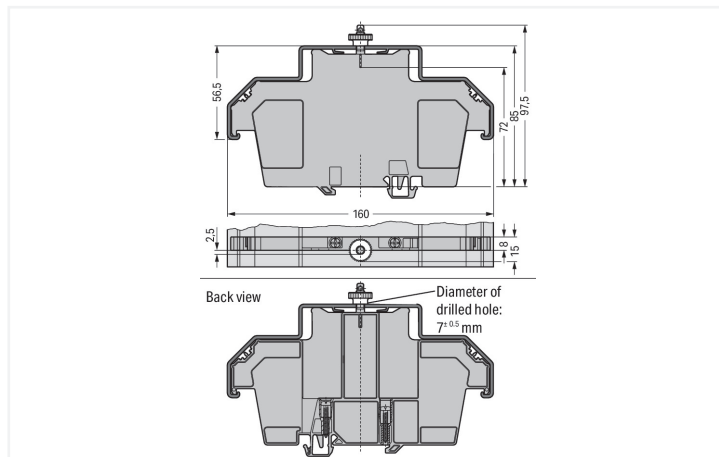
## Data Sheet | Item Number: 709-154

Cover; Type 2; suitable for cover carrier, type 2; 1 m long; transparent

<https://www.wago.com/709-154>



Color:  transparent



Dimensions in mm

### Physical data

Width	1000 mm / 39.37 inches
Height	160 mm / 6.299 inches
Depth	56.5 mm / 2.224 inches

### Material data

Color	transparent
Fire load	17.76 MJ
Weight	603 g

### Commercial data

Product Group	2 (Terminal Block Accessories)
eCl@ss 10.0	27-14-11-92
eCl@ss 9.0	27-14-11-92
ETIM 8.0	EC002848
ETIM 7.0	EC002848
PU (SPU)	10 (1) pcs
Packaging type	Box
Country of origin	DE
GTIN	4017332360647
Customs tariff number	39169010900

### Environmental Product Compliance

RoHS Compliance Status	Compliant, No Exemption
------------------------	-------------------------

**Downloads**

**Environmental Product Compliance**

Compliance Search	
Environmental Product Compliance 709-154	<a href="#">↓</a>

**Documentation**

Bid Text			
709-154	31.08.2017	doc 23.50 KB	<a href="#">↓</a>
709-154	19.02.2019	xml 2.55 KB	<a href="#">↓</a>

**CAD/CAE-Data**

CAD data	
2D/3D Models 709-154	<a href="#">↓</a>

CAE data	
EPLAN Data Portal 709-154	<a href="#">↓</a>
WSCAD Universe 709-154	<a href="#">↓</a>
ZUKEN Portal 709-154	<a href="#">↓</a>

**1 Compatible Products**

**1.1 Optional Accessories**

**1.1.1 Installation**

**1.1.1.1 Cover carrier**



**Item No.: 709-168**  
 Cover carrier; Type 2; incl. fixing/retaining screws and knurled nut; suitable for 283 to 285 Series rail-mounted terminal blocks; suitable for 279 to 281 Series double- and triple-deck terminal blocks; suitable for 780 to 785, 775, 776 and 777 Series TOP-JOB® rail-mounted terminal blocks; suitable for 280 Series sensor and actuator terminal blocks; suitable for 282 Series disconnect/test terminal blocks for transformer circuits; gray

### 1.1.1.2 Mounting accessories



Item No.: 209-196

Spare fixing/retaining screw; for cover

Item No.: 210-549

Spare knurled nut; for cover

### 1.1.2 Marking

#### 1.1.2.1 Marking strip



Item No.: 709-183

Marking strips; for laser printer; white

## Installation Notes

### Marking



Inserting a marking strip into the cover.

## Security



Cover with lead seals:

Using covers without lead seals, the thread dome-head can be broken off.