

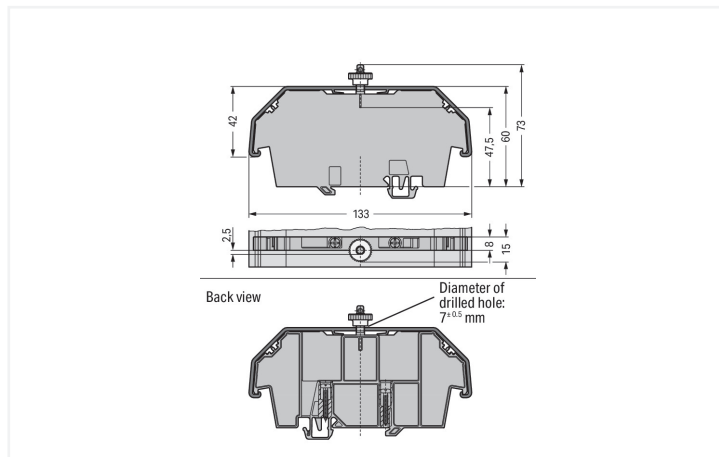
Data Sheet | Item Number: 709-153

Cover; Type 1; suitable for cover carrier, type 1; 1 m long; transparent

<https://www.wago.com/709-153>



Color: transparent



Dimensions in mm

Physical data

Width	1000 mm / 39.37 inches
Height	133 mm / 5.236 inches
Depth	42 mm / 1.654 inches

Material data

Color	transparent
Fire load	14.49 MJ
Weight	503 g

Commercial data

Product Group	2 (Terminal Block Accessories)
eCl@ss 10.0	27-14-11-92
eCl@ss 9.0	27-14-11-92
ETIM 8.0	EC002848
ETIM 7.0	EC002848
PU (SPU)	10 pcs
Packaging type	Box
Country of origin	DE
GTIN	4017332361446
Customs tariff number	39169010900

Environmental Product Compliance

RoHS Compliance Status	Compliant, No Exemption
------------------------	-------------------------

Downloads

Environmental Product Compliance

Compliance Search

Environmental Product Compliance 709-153



Documentation

Bid Text

709-153	19.02.2019	xml 2.55 KB	
709-153	31.08.2017	doc 23.50 KB	

CAD/CAE-Data

CAD data

2D/3D Models 709-153



CAE data

EPLAN Data Portal 709-153



WSCAD Universe 709-153



ZUKEN Portal 709-153



1 Compatible Products

1.1 Optional Accessories

1.1.1 Installation

1.1.1.1 Cover carrier



Item No.: 709-167

Cover carrier; Type 1; incl. fixing/retaining screws and knurled nut; suitable for 279 to 282 and 880 Series rail-mounted terminal blocks; suitable for 264 Series miniature rail-mounted terminal blocks; suitable for 270 Series sensor and actuator terminal blocks; gray

1.1.1.2 Mounting accessories



Item No.: 209-196

Spare fixing/retaining screw; for cover



Item No.: 210-549

Spare knurled nut; for cover

1.1.2 Marking

1.1.2.1 Marking strip



Item No.: 709-183

Marking strips; for laser printer; white

Installation Notes

Marking



Inserting a marking strip into the cover.

Security



Cover with lead seals:

Using covers without lead seals,
the thread dome-head can be broken off.