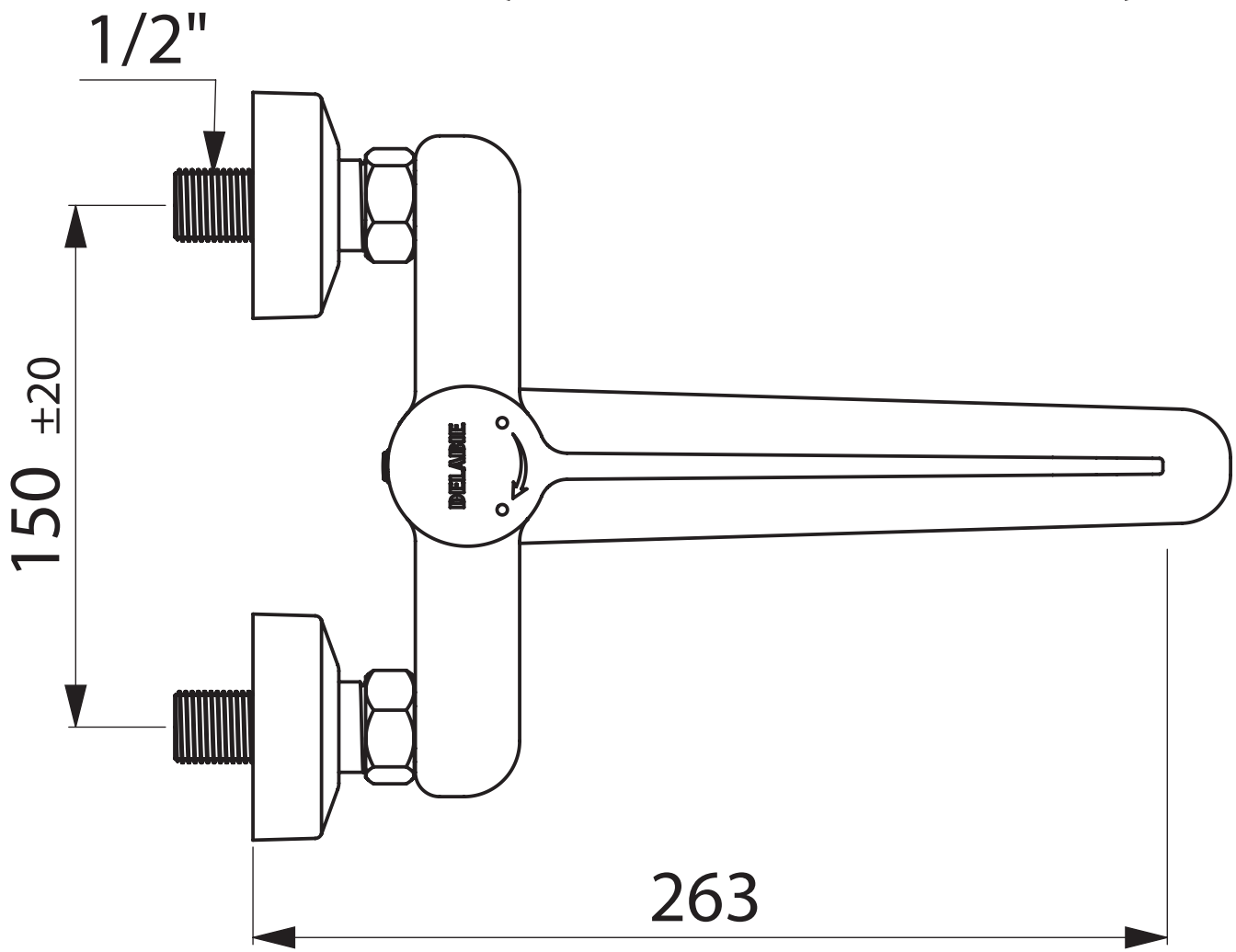


200



150 ± 20

1/2"

263