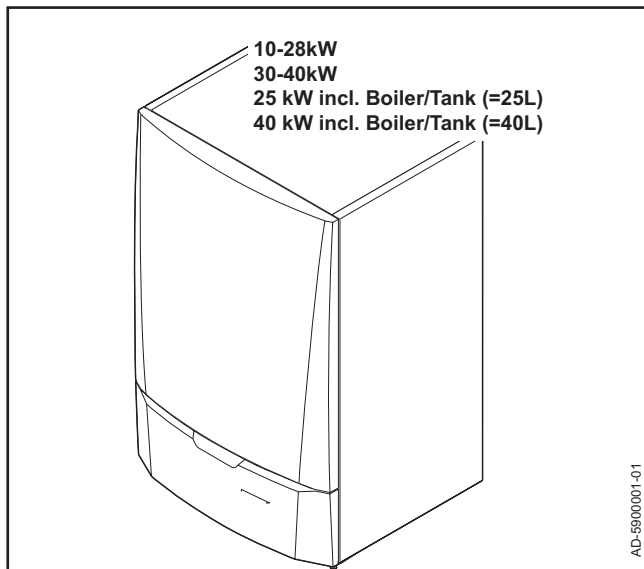


AD-5000001-01

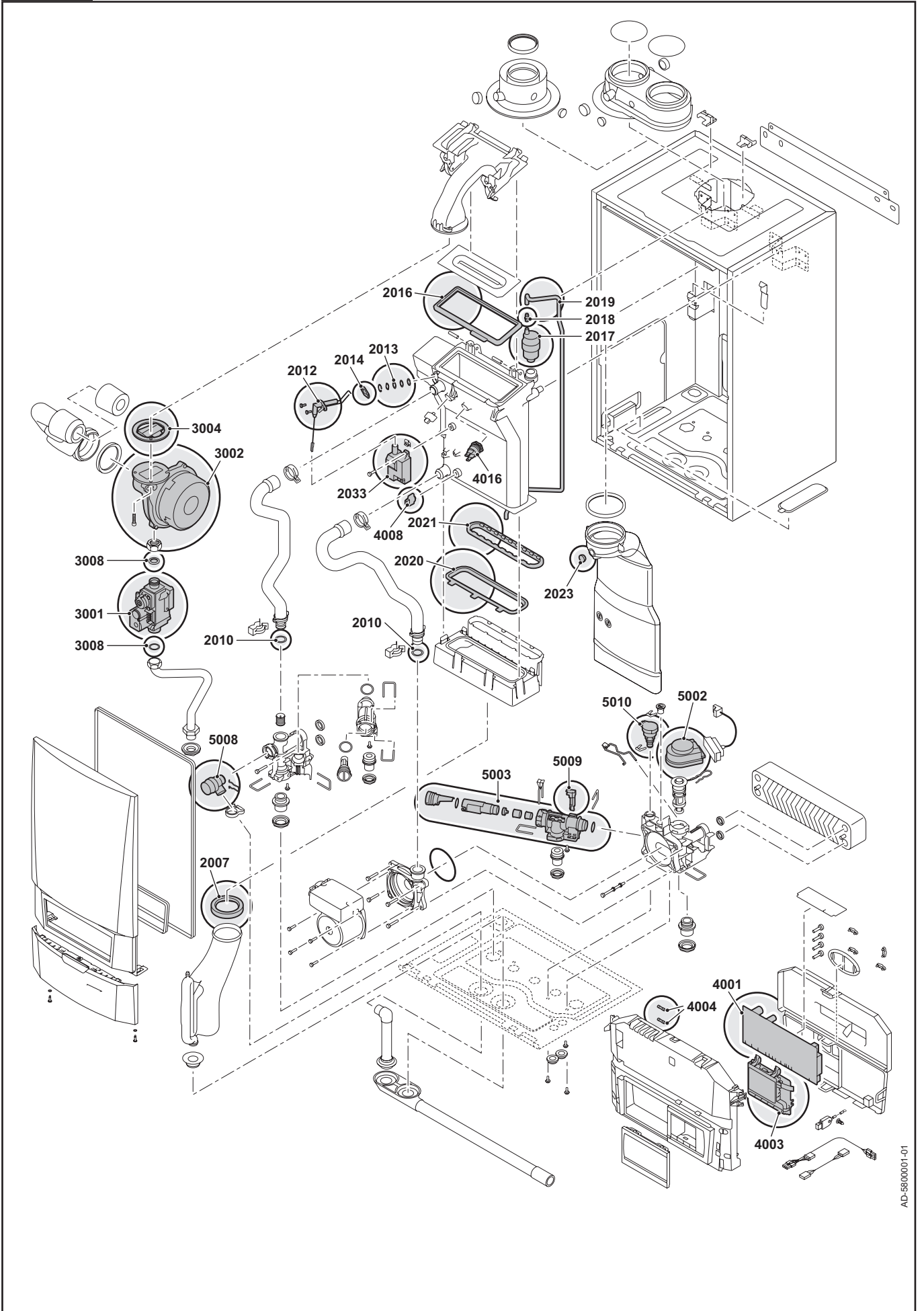
**Montage instructie
Assembly instructions
Instructions de montage
Montageanweisung
Instrucciones para el montaje
Istruzioni di montaggio**

**Servicekoffer
Service case
Valise de services
Servicekoffer
Maletín de servicio
Servizio caso**

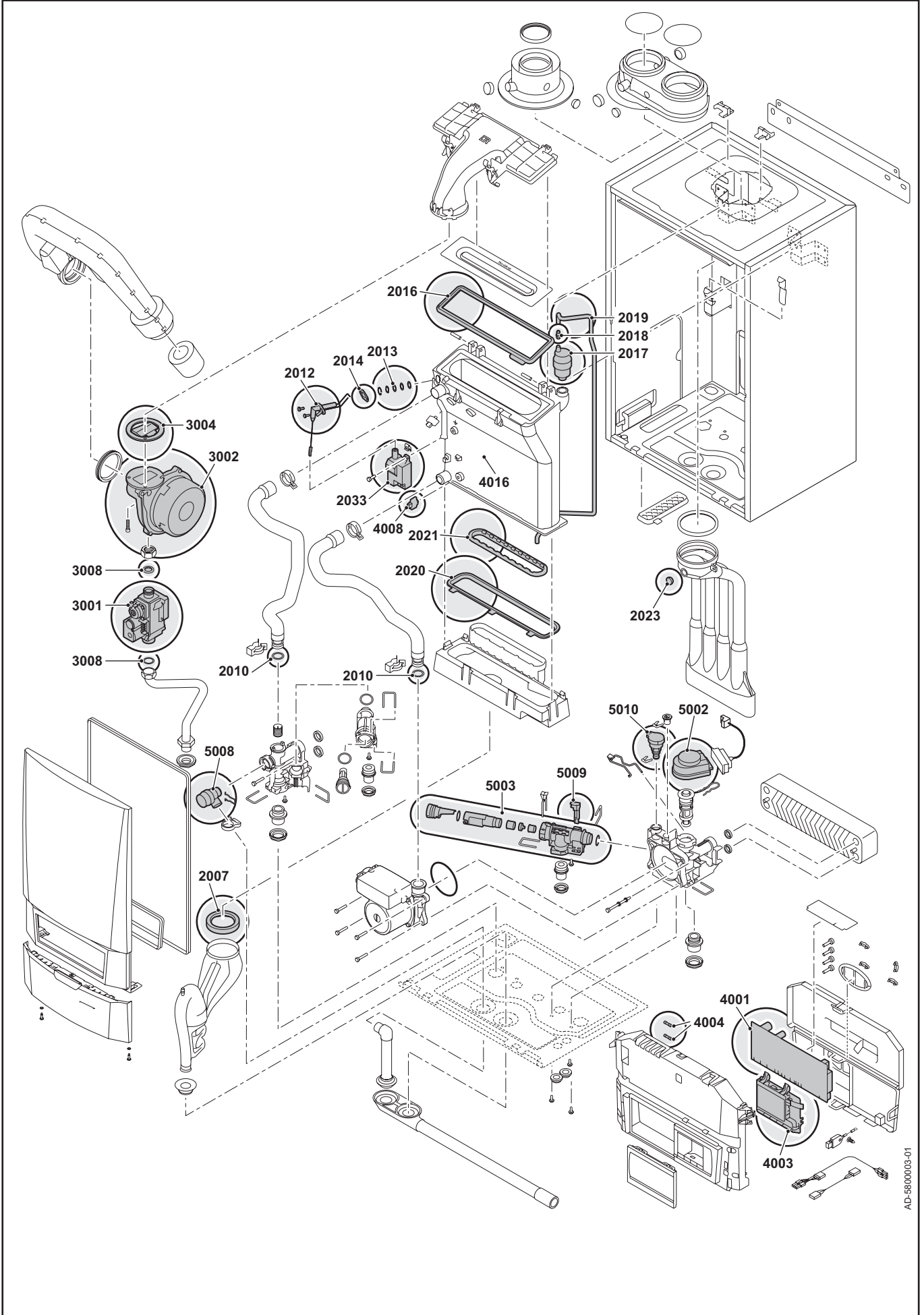


Positie	Omschrijving	Description	Description	Beschreibung	Aantal				
					Quantity	10-28kW	30-40kW	25kW incl boiler/ tank (=25L)	40kW incl boiler/ tank (=40L)
					Quantité				
					Anzahl				
Position	Stellung	Position	Stellung						
2007	Afdichting sifon	Sealing ring syphon	Joint Siphon	Abdichtring Sifon	1	x	x	x	x
2010	O-Ring Ø 18 x 2,8	O-Ring Ø 18 x 2,8	Joint Tourique Ø 18 x 2,8	O-Ring Ø 18 x 2,8	10	x	x	x	x
2012	Ontstekingsionisatie-elektrode	Electrode ignition / ionisation	Électrode d'allumage	Zünd-Ionisatieelektrode	1	x	x	x	x
2013	Kijkglas	Inspection glass	Verre de viseur	Schauglass	1	x	x	x	x
2014	Pakking voor elektrode	Gasket for electrode	Joint pour électrode	Dichtung für Elektrode	10	x	x	x	x
2016	Pakking T.B.V. Brander (40kW)	Gasket For Burner (40kW)	Joint Pour Bruleur (40kW)	Dichtung Fur Brenner (40kW)	1		x		x
2016	Pakking T.B.V. Brander (28kW)	Gasket For Burner (28kW)	Joint Pour Bruleur (28kW)	Dichtung Fur Brenner (28kW)	1	x		x	
2017	Automatische ontluchter	Automatic air vent	Joint pour bruleur Purgeur d'air	Automatischer Entlüfter	2	x	x	x	x
2018	Slangpilaar M7 x 1	Tail piece M7 x 1	Raccord de tuyau M7 x 1	Schlauchstutzen M7 x 1	1	x	x	x	x
2019	Siliconenslang 8 x 4 x 715	Tube silicone 8 x 4 x 715	Tube silicone 8 x 4 x 715	Schlauch 8 x4 x 715	1	x	x	x	x
2023	Beschermdop meetpunt rookgasafvoer	Screw cap measure point flue gas pipe	Bouchon a vis point de mesure des gaz brules	Schraubverschluss Abgasmesspunkt	1	x	x	x	x
2033	Ontstekingstrafo incl. ontstekingsionisatieelektrode	Transformer ignition incl. Electrode ignition /ionisation	Transformateur d'allumage incl. electrode d'allumage	Zündtrafo inkl. Zündionisation der Elektrode	1	x	x	x	x
3001	Gasblok	Gas combination block	Bloc gaz combine	Gaskombiventil	1	x	x	x	x
3002	Ventilator Rg118 - R19,5X1 (28kW)	Fan Assembly Rg118 - R19,5X1(28kW)	Ventilateur Rg118 - R19,5X1(28kW)	Geblase Rg118 - R19,5X1(28kW)	1	x		x	
3002	Ventilator Rg118 - R21,5X1 (40kW)	Fan Assembly Rg118 - R21,5X1 (40kW)	Ventilateur Rg118 - R21,5X1(40kW)	Geblase Rg118 - R21,5X1(40kW)	1		x		x
3004	Afdichting ro. 83 mm met klep (40kW)	Seal ro. 83 mm with valve (40kW)	Etancheite 83 mm avec clapet (40kW)	Abdichtung ru. 83 mm mit Klappe (40kW)	1		x		x
3004	Afdichting ro. 83 mm met klep (28kW)	Seal ro. 83 mm with valve (28kW)	Etancheite 83 mm avec clapet (28kW)	Abdichtung ru. 83 mm mit Klappe (28kW)	1	x		x	
3008	Pakkingring Ø 23,8 x 17,7 x 2 mm	Gasket Ø 23,8 x 17,7 x 2 mm	Joint D'Etancheite Ø 23,8 x 17,7 x 2 mm	ADichtung Ø 23,8 x 17,7 x 2 mm	20	x	x	x	x
4001	Print PCU03	PCB PCU03	Platine PCU03	Platine PCU03	1	x	x	x	x
4003	Print display	Display print	Platine display	Displayplatine	1	x	x	x	x
4004	Glaszekering 2 A. traag	Fuse glass 2 Amp slow	Fusible 2 At	Feinsicherung 2 At	10	x	x	x	x

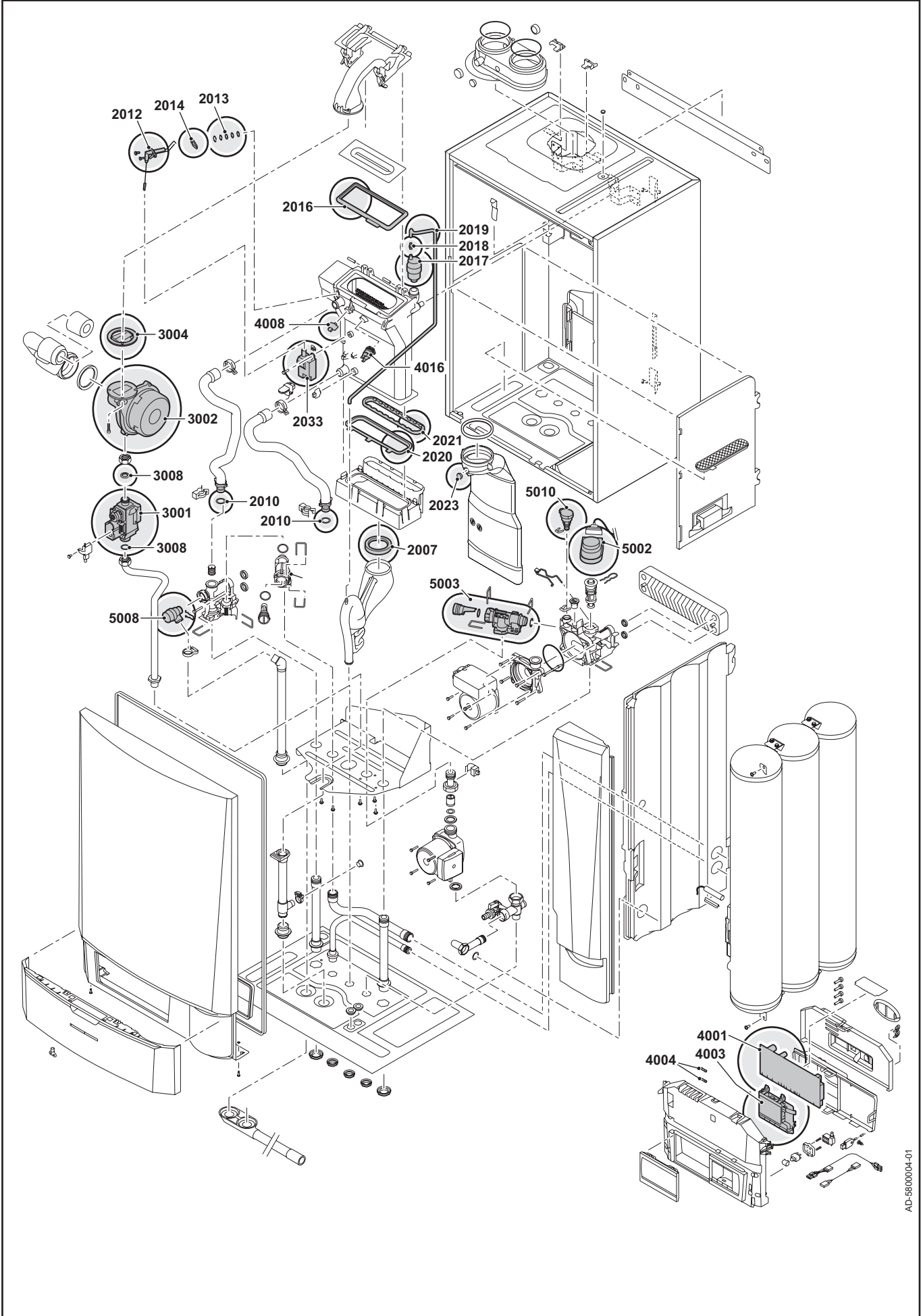
Positie Position Position Stellung	Omschrijving	Description	Description	Beschreibung	Aantal				
					Quantity				
					Quantité				
					Anzahl	10-28kW	30-40kW	25kW incl boiler/ tank (=25L)	40kW incl boiler/ tank (=40L)
4004	Glaszekering 6,30 A. traag	Fuse glass 6,30 Amp slow	Fusible 6,30 At	Feinsicherung 6,30 At	10	x	x	x	x
4008	Temperatuursensor NTC	Sensor temperature NTC	Sonde de temperature NTC	Temperatuursensor NTC	2	x	x	x	x
4016	Temperatuursensor HL	Sensor temperature HL	Sonde de temperature HL	Temperatuursensor HL	1	x	x	x	x
5002	Actuator met driewegklep	Actuator with threeway- valve	Adateur avec vanne 3-voies	Ventilantrieb mit Dreiwegeventil	1	x	x	x	x
5003	Huis cartridge 8,5 L/Min + Hallsensor	Housing cartridge 8,5 L/Min + Hallsensor	Corps cartouche 8,5 L/ in + Hallsensor	Gehäuse Patrone 8,5 L/Min + Hallsensor	1	x		x	
5003	Huis cartridge 12 L/Min + Hallsensor	Housing cartridge 12 L/Min + Hallsensor	Corps cartouche 12 L/Min + Hallsensor	Gehäuse Patrone 12 L/Min + Hallsensor	1		x		
5008	Overstortventiel met leiding	Safety pressure relief valve with pipe	Valve de trop-plein avec tube	Sicherheitsventil mit Leitung	1	x	x	x	x
5009	Hallsensor	Sensor dhw flow	Hall sensor	Hallsensor	1	x	x		
5010	Druksensor	Pressure sensor	Sonde de pression	Drucksensor	1	x	x	x	x



AD-5800001-01



AD-5800003-01



AD-580004-01

© Copyright

All technical and technological information contained in these technical instructions, as well as any drawings and technical descriptions supplied, remain our property and shall not be multiplied without our prior consent in writing.

Ours is a policy of continuous development. We reserve the right to alter specifications without prior notification. Subject to alterations.

