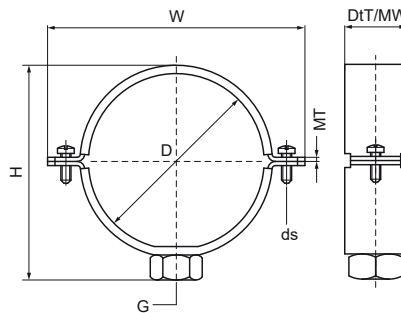


## Walraven 434 Stainless Steel Clamp

(M1510)

for PE-pipes



### Features & benefits

- two-screw clamp
- for rigid fixing point fastening it is necessary to use metal clamp liners (Part No. 4337XXX)
- screws secured with anti-loss washer
- material: stainless steel 1.4401 (AISI 316)



Product Number	Outside Pipe Diameter	DN	Connection Thread	Total Height	Total Width	Total Depth	Material Width	Material Thickness	Screw Size	Maximum Allowed Load Faz	Approvals
Reference Letter	D	D	G	H	W	DeT	MW	MT	ds	Fa,z	
Unit description	mm			mm	mm	mm	mm	mm		N	
4347032	32	DN 25	M10	50	75	30	30	3.00	M6	4,160	ITB (KOT), EPD
4347040	40	DN 32	M10	58	82	30	30	3.00	M6	4,160	ITB (KOT), EPD
4347050	50	DN 40	M10	69	92	30	30	3.00	M6	4,160	ITB (KOT), EPD
4347063	63	-	M10	81	105	30	30	3.00	M6	4,160	ITB (KOT), EPD
4347075	75	DN 70	M10	94	117	30	30	3.00	M6	4,160	ITB (KOT), EPD
4347090	90	DN 80	M10	108	132	30	30	3.00	M6	4,160	ITB (KOT), EPD
4347110	110	DN 100	M10	128	152	30	30	3.00	M6	4,160	ITB (KOT), EPD
4347125	125	DN 125	M10	143	167	30	30	3.00	M6	4,160	ITB (KOT), EPD
4347160	160	DN 150	M10	178	202	30	30	3.00	M6	4,160	ITB (KOT), EPD
4347200	200	DN 200	M10	218	278	30	30	3.00	M8	4,160	ITB (KOT), EPD
4387200	200	DN 200	G1"	251	278	30	30	3.00	M8	3,180	ITB (KOT), EPD
4387250	250	DN 250	G1"	301	330	30	30	3.00	M8	3,180	ITB (KOT), EPD