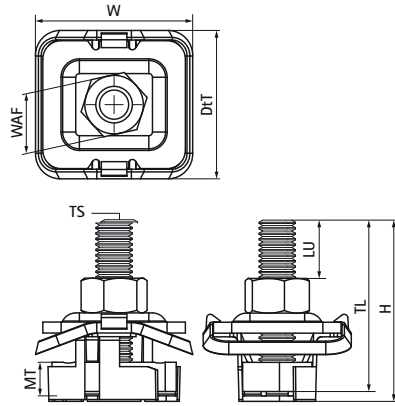


## Walraven RapidStrut® Hammerfix G2 (BUP1000)

(H2449)

for quick connection of clamps to the rail



### Features & benefits

- slide nut with stud bolt, washer and Walraven RapidStrut® spring
- ready-to-use pre-assembled for a quick fixing, and retains assembly in place before final tightening
- material: metal parts made of steel 1.0332; spring(s) made of POM (polyoxymethylene), green
- product is part of the Walraven UltraProtect® 1000 system
- suitable for in- and outdoor applications
- stands min. 1,000 hours salt spray test (max. 5% red rust) according to ISO 9227
- Tested values in combination with Walraven RapidStrut® Rail 41x41x2.5mm.
- M10 & M12 are tested for fire safety according to EN 1366-1.



Product Number	For Rail Type	Thread Size	Thread Length	Usable Length	Material Thickness	Width Across Flats	Torque Moment For Installation	Maximum Allowed Load Fax	Maximum Allowed Load Faz	Total Width x Total Height x Total Depth
Reference letter		TS	TL	LU	MT	WAF	T <sub>inst.</sub>	F <sub>a,x</sub>	F <sub>a,z</sub>	W x H x DfT
Unit description			mm	mm	mm	mm	Nm	N	N	mm x mm x mm
652785804	41x21, 41x41, 41x51, 41x62, 41x82	M8	40	14.06	6.00	13	11	1,100	3,120	43.22 x 44.85 x 40.8
652785805	41x21, 41x41, 41x51, 41x62, 41x82	M8	50	24.06	6.00	13	11	1,100	3,120	43.22 x 54.85 x 40.8
652785806	41x21, 41x41, 41x51, 41x62, 41x82	M8	60	34.06	6.00	13	11	1,100	3,120	43.22 x 64.85 x 40.8
652785808	41x21, 41x41, 41x51, 41x62, 41x82	M8	80	54.06	6.00	13	11	1,100	3,120	43.22 x 84.85 x 40.8
652785810	41x21, 41x41, 41x51, 41x62, 41x82	M8	100	74.06	6.00	13	11	1,100	3,120	43.22 x 104.85 x 40.8
652785004	41x21, 41x41, 41x51, 41x62, 41x82	M10	40	10.56	8.00	17	15	1,250	5,000	43.22 x 42.85 x 40.8
652785006	41x21, 41x41, 41x51, 41x62, 41x82	M10	60	30.56	8.00	17	15	1,250	5,000	43.22 x 62.85 x 40.8
652785008	41x21, 41x41, 41x51, 41x62, 41x82	M10	80	50.56	8.00	17	15	1,250	5,000	43.22 x 82.85 x 40.8
652785010	41x21, 41x41, 41x51, 41x62, 41x82	M10	100	70.56	8.00	17	15	1,250	5,000	43.22 x 102.85 x 40.8
652785204	41x21, 41x41, 41x51, 41x62, 41x82	M12	40	7.56	9.00	19	22	2,440	5,000	43.22 x 41.85 x 40.8
652785206	41x21, 41x41, 41x51, 41x62, 41x82	M12	60	27.56	9.00	19	22	2,440	5,000	43.22 x 61.85 x 40.8