

Presence detector P42LR, 230 V, master, 32-37 m, for flush-mounting box, white

353-700121

4 year warranty

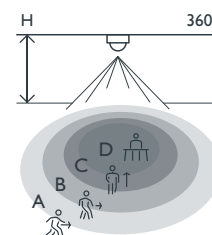
This presence detector is a 1-channel master detector with a large detection range for automatic lighting control. The detector is specially designed for mounting in a standard flush-mounting box (60 or 79 mm diagonal screw distance). The detector's settings can be modified using the Niko detector tool app and 2 way Bluetooth® communication between a smartphone and the detector. Finishing colour: white

Compatible secondary detectors: 353-600021, 353-601021, 353-602021, 353-700021, 353-701021, 353-702021, 353-802011

- Easy mounting in a standard flush-mounting box (60 or 79 mm diagonal screw distance)
- Quick cabling using screwless and easily accessible plug-in terminals
- User-friendly app for commissioning (iOS/Android)
- 2-way Bluetooth® communication ensures quick modification of settings and live feedback in the app
- Fitted with three PIR segments, each covering 120°
- Pre-configured functions:
 - adjustable PIR sensitivity (4 levels) in 3 x 120°
 - one or more PIR segments can be disabled
 - event log keeps track of recent changes
- Detection range can be increased using up to 10 secondary detectors
- Wireless communication between master and secondary detectors with a repeater function
- Robust potential-free relay
- Automatic lighting control can be overridden with a 230 V push button - different options available
- Settings and configuration can be locked with a PIN code
- Web based portal solution for back up and distribution of configuration files



Detection range



H	A Walking	B Across	C Towards	D Presence
2.5 m	∅ 32 m	∅ 28 m	∅ 10 m	∅ 8 m
3.0 m	∅ 37 m	∅ 30 m	∅ 8 m	∅ 4 m

Measured according to EN/IEC63180



Bluetooth®



niko

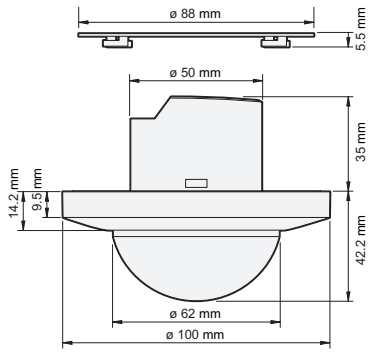
Technical data

Article number	353-700121
Compatible secondary detectors	353-600021, 353-601021, 353-602021, 353-700021, 353-701021, 353-702021, 353-802011
Input voltage	230 Vac \pm 10 %, 50 Hz
Detector output	230 V (ON/OFF)
Maximum power consumption	0.2 W
Maximum MCB rating	16 A (limited by national installation rules)
Relay contact	N.O. (max. 10 A), potential-free
Maximum load incandescent and halogen lamps ($\cos\phi=1$)	2300 W
Maximum load fluorescent lamps ($\cos\phi \geq 0.5$)	1200 VA
Maximum load economy lamps (CFLi)	350 W
Maximum load LED lamps 230 V	350 W
Maximum load LED driver	500 VA
Maximum load electronic transformer	500 VA
Maximum capacitive load	140 μ F
Maximum switching current	165 A/20 ms – 800 A/200 μ s
Light intensity range	20 lux – 2000 lux, ∞
Number of channels	1 channel
Maximum number of secondary detectors	10
Switch-off delay	pulse, 15 s – 2 h, ∞
Detection angle	360 °
Detection range (PIR)	\varnothing 37 m from a height of 3 m
Ambient temperature	-25 – +40 °C
Mounting method	flush-mounting box
Mounting height	2 – 3.5 m
Colour	white (approximately RAL 9010)
Dimensions visible (HxWxD)	100 x 100 x 42.2 mm
Dimensions (HxWxD)	100 x 100 x 77.2 mm
Maximum range Bluetooth® (free field, depending on the device)	50 m
Operating frequency	2.4 GHz
Maximum radio frequency power	-2 dBm
Protection degree	IP20
Impact resistance	IK04
Modification of settings	Niko detector tool app (iOS-Android) and 2-way Bluetooth® communication
Halogen-free	yes
Marking	CE

Accessories

353-991992 Deco ring for flush-mounted P4XLR and M4XLR detectors, black

Dimensions



Wiring diagram

