

41 620 979



- exposed trim parts
- Rain panel with 3 different flow modes
- AQUACIRCLE RAIN: Circular rain curtain, max. flow rate 12 l/min (at 3 bar)
- TEMPEST RAIN: Natural rain, max. flow rate 10 l/min (at 3 bar)
- QUEEN'S COLLAR CASCADE: Rounded cascade, max. flow rate 24 l/min (at 3 bar)
- with anti-scale system

Technical data:

- Outer diameter 1240 mm, opening diameter 450 mm
- Weight 22.5 kg
- Matt white cover, RAL 9003

Electric:

- Ambient lighting, LED light color approx. 2700 K
- Bulbs protected against splashing water
- Technology: LED, not dimmable
- Comply with the protection zone regulations as defined in DIN VDE 0100, Part 701 (IEC 60364-7-701).

Environment:

- Not suitable for use in a steam room.
- Not suitable for outdoor use.
- Not suitable for use in chlorinated or salty environments.

Planning tips:

- Provided by customer: Light switch
- Control elements not included among the items supplied

Notes:

Rain panel cover for adaptation to ceiling colour available in all RAL colours, price and delivery time on request

Rain panel cover for adaptation to ceiling colour available in all RAL colours, price and delivery time on request

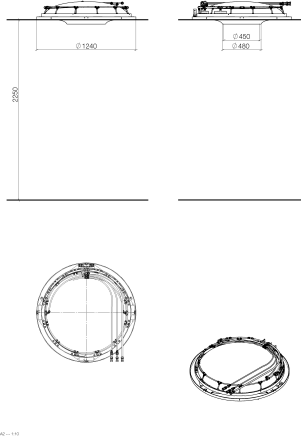
Required miscellaneous



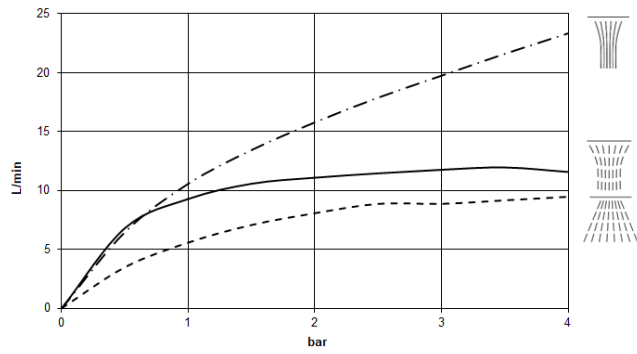
AQUAMOON Concealed ceiling installation box - 35 620 970 90

- concealed rough parts
- Ceiling installation enclosure 1356 x 1356 x 290 mm
- Opening diameter 1252 mm
- min. recess depth 290 mm

41 620 979



Flow rate chart



Codes & Standards

DIN 4109

ISO 3822

Ü-Zeichen



AQUAMOON Rainpanel - Matte White

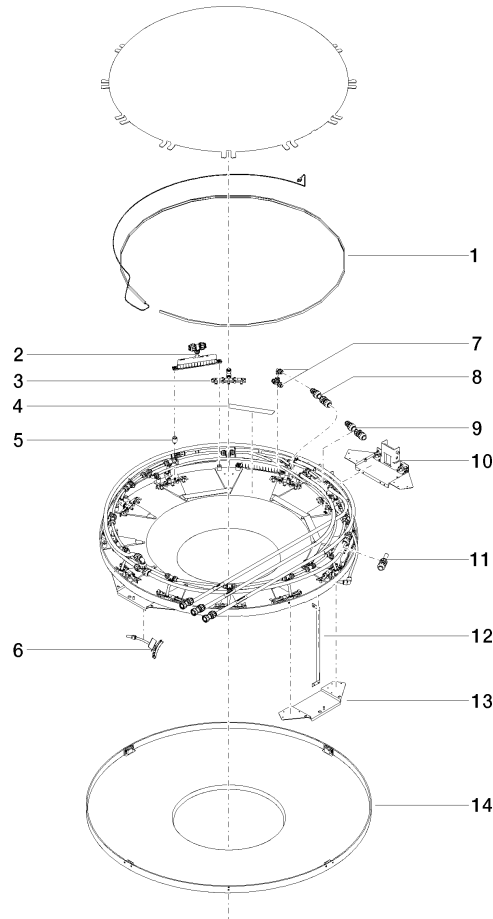
SERIES-VARIOUS

41 620 979

Certificates and sustainability

LGA_29

41 620 979



Spare parts list

No.	Item Number	Name	Quantity used	Delivery time
9	90 24 04 314 00 90	TEMPEST Connection -	1.00	82
2	90 17 09 058 00 90	Aerator Cascade jet regulator AQUAMOON flow module exposed trim parts 220 x 31 x 105 mm -	5.00	14
7	90 24 04 321 00 90	Union piece Connector kit 215 x 140 x 200 mm -	1.00	14
10	90 17 20 211 00 90	Mounting Spray link AQUAMOON flow module exposed trim parts 397 x 210 x 110 mm -	1.00	14
12	90 17 20 217 00 90	Holder Crosspiece, flow module AQUAMOON flow module exposed trim parts 611,5 x 34,8 x 17,5 mm -	4.00	14
14	90 11 02 325 00 90	Cover Ø 1240 x 80 mm -	1.00	14
3	90 17 09 056 00 90	Flow module AQUAMOON flow module Exposed trim parts 147,4 x 67,5 x 42,5 mm -	12.00	14
11	90 24 04 314 01 90	Connection -	1.00	14
5	90 18 40 222 00 90	Adapter Ø 19 x 24 mm -	24.00	14
8	90 24 04 346 00 90	AQUACIRCLE Connection Screw-on connector Ø 32 x 140 mm -	1.00	14
13	90 17 20 216 00 90	Holder Support plate, flow module AQUAMOON flow module exposed trim parts 391 x 120 x 26,8 mm -	3.00	14
1	90 10 01 183 00 90	LED flex strip white for Aquamoon 3100 x 4 x 11 mm -	1.00	14
6	90 17 09 057 00 90	Flow module AQUAMOON flow module Aquacircle Exposed trim parts 127 x 24 x 170 mm -	12.00	14
4	90 23 01 196 00 90	Retrofit kit Flow former QueensCollar , optional for Aquamoon built before June 2025 Quantity 10 -	1.00	14