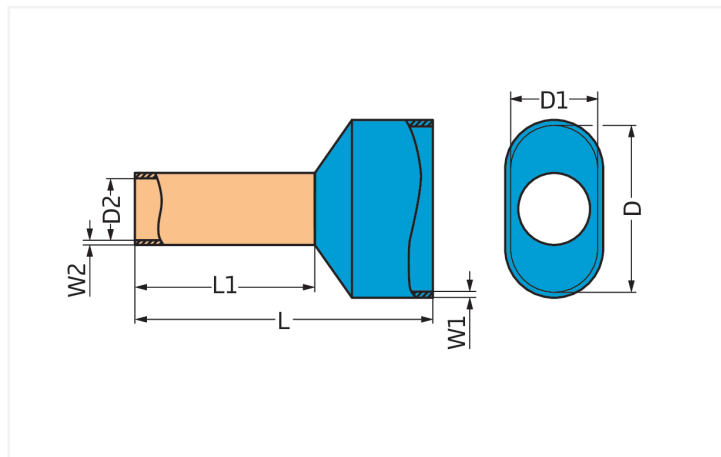


# Data Sheet | Item Number: 216-522

Twin ferrule; insulated; white

<https://www.wago.com/216-522>



Color:   white

Similar to illustration

## Connection data

Strip length	9.5 ... 10.5 mm / 0.37 ... 0.41 inches
Metric cross-section of the twin ferrule	0.75 mm <sup>2</sup>
Cross-section (AWG) of twin ferrule	2x 18 AWG

## Physical data

Total length	14 mm
Wall thickness of crimp sleeve	0.15 mm
Wall thickness (plastic collar)	0.3 mm
Inner dimension of small plastic collar	3 mm
Inner dimension plastic collar large	5.5 mm
Crimp length (length of sleeve)	8 mm
Diameter crimp sleeve inside	1.85 mm

## Mechanical data

Plastic collar	Standard collar
----------------	-----------------

## Material data

Color	white
Fire load	0 MJ
Weight	0.1 g

## Commercial data

PU (SPU)	500 pcs
Packaging type	Bag
Country of origin	DE
GTIN	4055143968379
Customs tariff number	85369010000

Product Classification	
UNSPSC	39121405
ETIM 9.0	EC000005
ECCN	NO US CLASSIFICATION

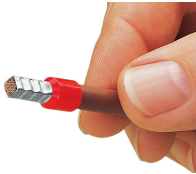
Environmental Product Compliance	
RoHS Compliance Status	Compliant, No Exemption

## Downloads

### Environmental Product Compliance

Compliance Search	
Environmental Product Compliance 216-522	

## Installation Notes



A perfect gas-tight crimp – both electrically and mechanically reliable