



fischer 

**Threaded rod plug
RodForce FGD.
Easy and quick fixing of
threaded rods.**

RodForce FGD.

The economical hammer-set plug - easy and quick fixing of threaded rods.

The innovative plug geometry allows - without special tools - a **easy, quick and time-saving installation.**

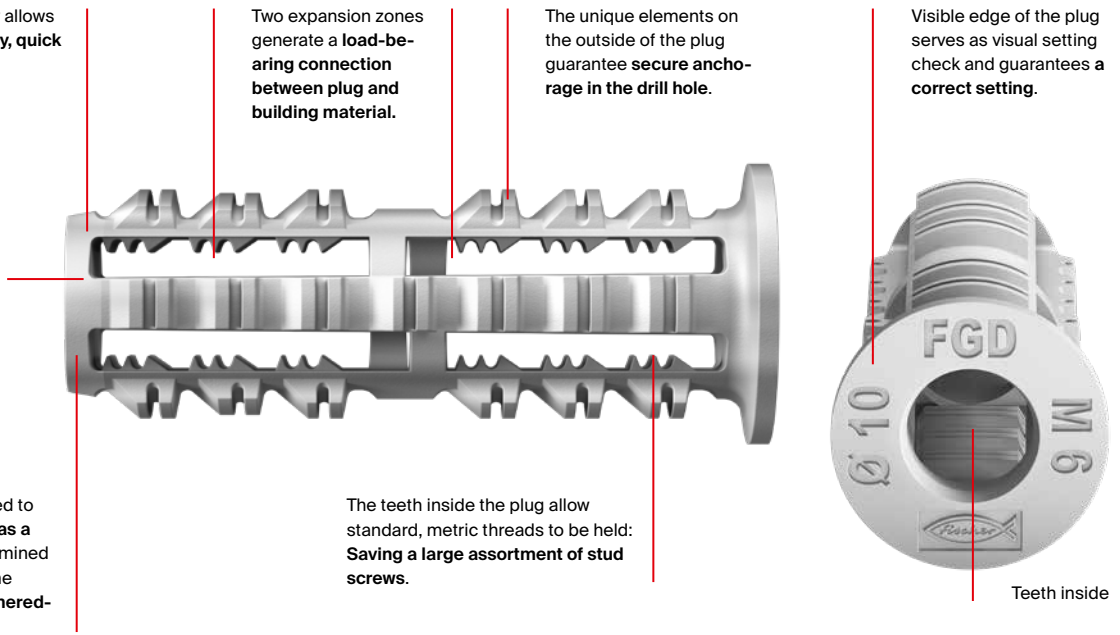
Short plug length prevents reinforcement hits and **guarantees a secure use in reinforced concrete.**

The closed plug tip is used to check the **setting depth as a stop point.** This predetermined break point also allows the threaded rod to be **hammered-in deeper.**

Two expansion zones generate a **load-bearing connection between plug and building material.**

The unique elements on the outside of the plug guarantee **secure anchorage in the drill hole.**

Visible edge of the plug serves as visual setting check and guarantees a **correct setting.**



The teeth inside the plug allow standard, metric threads to be held: **Saving a large assortment of stud screws.**

Teeth inside

Your advantages at a glance

- The short plug length prevents reinforcement hits and guarantees a secure utilization in reinforced concrete.
- The teeth inside the plug allow standard, metric threads to be held. This saves a large assortment of stud screws.
- Installation without special tools: The only tool needed to set the plug is a hammer.
- The visible edge of the plug serves as a visual setting check and guarantees the correct setting as well as extra safety.
- Easy to check and adjust: To check the setting depth, the closed plug tip is used as a stop point. This predetermined break point also allows the threaded rod to be hammered-in deeper.

Function

- When hammering-in the threaded rod, the plug expands in four directions as a result of the conical inner geometry.
- The plug is set in pre-positioned installation. This can be done in two different ways: Pre-installation of the threaded rods in the plug with both being hammered into the wall together or pre-inserting of the RODFORCE into the drill hole followed by hammering-in of the threaded rod.
- The teeth in the plug mechanically interlock securely with the metric thread of the threaded rod.
- The unique elements on the outside of the plug brace against the wall of the drill hole.

Anchorage substrate

Suitable for the following building materials:



Concrete

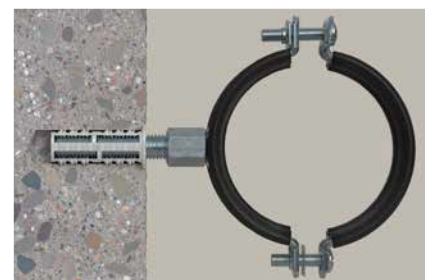


Solid sand-lime brick



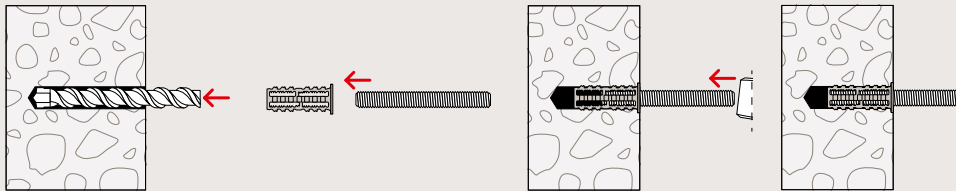
Solid brick

Function

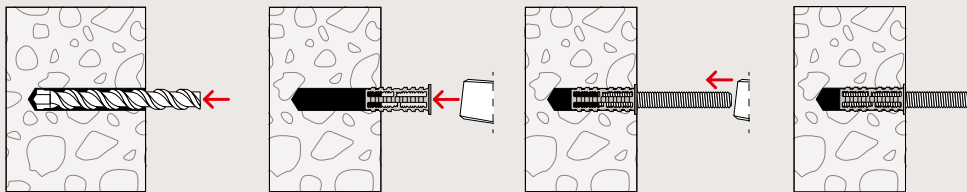


Installation, Assortment, and Loads.

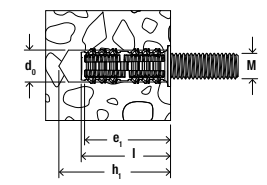
Pre-positioned installation



Pre-inserting installation



Applications



Assortment

Threaded rod plug RodForce FGD



Item	Art.-No.	Nominal drill hole diameter d_0	Min. drill hole depth at pre-positioned installation h_1 [mm]	Plug length l [mm]	Min. drop-in penetration e_1 [mm]	Threaded rod $\varnothing \times$ Length [mm]	Sales unit [pcs.]
FGD 10 M6	542106	10	40	35	33	-	50
FGD 10 M6 TR 60	542108	10	40	35	33	M6 x 60	25
FGD 12 M8	542111	12	40	35	33	-	50
FGD 12 M8 TR 60	542113	12	40	35	33	M8 x 60	25

Loads

Threaded rod plug RodForce FGD

Highest recommended loads ¹⁾ of a single anchor. The given loads are valid for machine screws or threaded rods with the specified thread size.

Type		FGD 10 M6	FGD 12 M8
Thread size	[mm]	M6	M8
Recommended load in the respective building material $F_{rec.}$ ²⁾			
Concrete	\geq C20/25	[kN]	0,36
Solid sand-lime brick	\geq KS 12	[kN]	0,36
Solid brick	\geq MZ 12	[kN]	0,33

¹⁾ Required safety factors are considered. ²⁾ Valid for tensile load, shear load and oblique load under any angle.

Dealer:

www.fischer-international.com



fischer stands for

Fixing Systems
Automotive
fischertechnik
Consulting
LNT Automation

fischerwerke GmbH & Co. KG
Klaus-Fischer-Straße 1 · 72178 Waldachtal
Germany
T +49 7443 12 - 0
www.fischer-international.com · info@fischer.de
