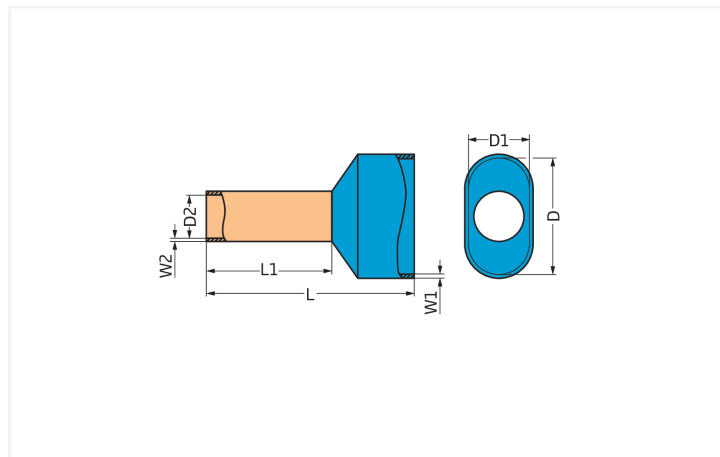


## Data Sheet | Item Number: 216-541

Twin ferrule; insulated; Sleeve for 2 x 0.75 mm<sup>2</sup> / 2 x AWG 18; 12 mm long; gray

<https://www.wago.com/216-541>



Color: ■ gray

Similar to illustration

### Connection data

Strip length	13.5 ... 14.5 mm / 0.53 ... 0.57 inches
Metric cross-section of the twin ferrule	0.75 mm <sup>2</sup>
Cross-section (AWG) of twin ferrule	2x 18 AWG

### Physical data

Total length	18 mm
Wall thickness of crimp sleeve	0.15 mm
Wall thickness (plastic collar)	0.3 mm
Inner dimension of small plastic collar	3 mm
Inner dimension plastic collar large	5.5 mm
Crimp length (length of sleeve)	12 mm
Diameter crimp sleeve inside	1.85 mm

### Mechanical data

Plastic collar	Standard collar
----------------	-----------------

### Material data

Color	gray
Fire load	0 MJ
Weight	0.2 g

### Commercial data

PU (SPU)	500 pcs
Packaging type	Bag
Country of origin	DE
GTIN	4055143492430
Customs tariff number	85369010000

### Product Classification

UNSPSC	39121405
ETIM 9.0	EC000005
ETIM 10.0	EC000005
ECCN	EAR99

### Environmental Product Compliance

RoHS Compliance Status	Compliant, No Exemption
------------------------	-------------------------

### Downloads

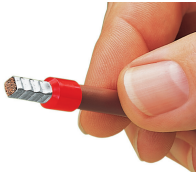
#### Environmental Product Compliance

##### Compliance Search

Environmental Product  
Compliance 216-541



### Installation Notes



A perfect gas-tight crimp – both electrical-ly and mechanically reliable