

Data Sheet | Item Number: 216-1261

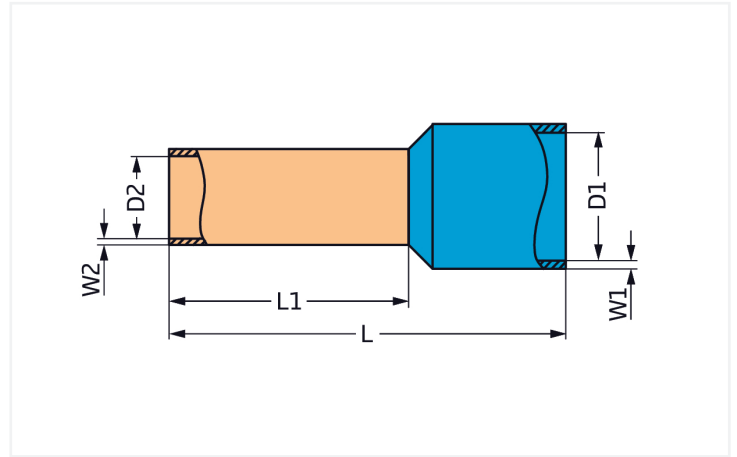
Ferrule; insulated; white

<https://www.wago.com/216-1261>



Color: ■ white

Similar to illustration



Dimensions in mm

Connection data

Metric cross-section of the ferrule	0.5 mm ²
Strip length	14 ... 15 mm / 0.55 ... 0.59 inches
Cross-section (AWG) of ferrule	20 AWG

Physical data

Total length	18 mm
Wall thickness of crimp sleeve	0.15 mm
Wall thickness (plastic collar)	0.25 mm
Crimp length (length of sleeve)	12 mm
Inner diameter of plastic collar	2.6 mm
Diameter crimp sleeve inside	1 mm

Mechanical data

Plastic collar	Standard collar
----------------	-----------------

Material data

Color	white
Fire load	0 MJ
Weight	0.1 g

Commercial data

PU (SPU)	1000 pcs
Packaging type	Bag
GTIN	4055143570503
Customs tariff number	85369010000

Product Classification


UNSPSC	39121405
ETIM 9.0	EC000005
ETIM 8.0	EC000005
ECCN	NO US CLASSIFICATION

Environmental Product Compliance

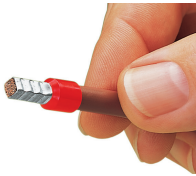
RoHS Compliance Status	Compliant, No Exemption
------------------------	-------------------------

Downloads

Environmental Product Compliance

Compliance Search
Environmental Product Compliance 216-1261 

Installation Notes



A perfect gas-tight crimp – both electrically and mechanically reliable