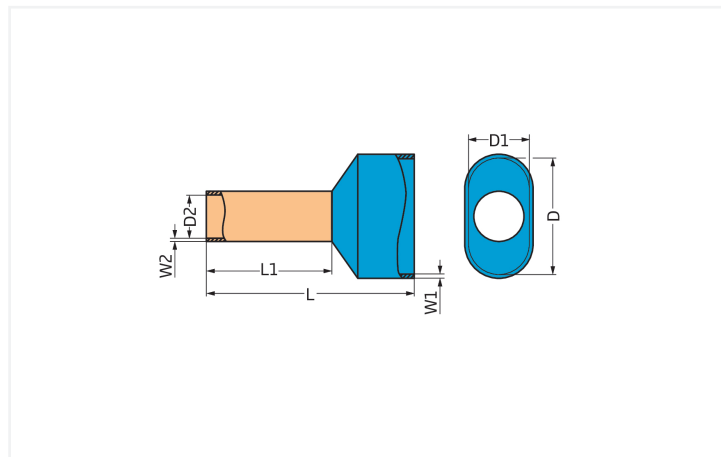


Data Sheet | Item Number: 216-542

Twin ferrule; Sleeve for 2 x 1 mm² / AWG 2 x 18; red, insulated; 12 mm long; red

<https://www.wago.com/216-542>



Color: ■ red

Connection data

Strip length	13.5 ... 14.5 mm / 0.53 ... 0.57 inches
Metric cross-section of the twin ferrule	1 mm ²
Cross-section (AWG) of twin ferrule	2x 18 AWG

Physical data

Total length	19 mm
Wall thickness of crimp sleeve	0.15 mm
Wall thickness (plastic collar)	0.3 mm
Inner dimension of small plastic collar	3.2 mm
Inner dimension plastic collar large	5.8 mm
Crimp length (length of sleeve)	12 mm
Diameter crimp sleeve inside	2.15 mm

Mechanical data

Plastic collar	Standard collar
----------------	-----------------

Material data

Color	red
Fire load	0 MJ
Weight	0.2 g

Commercial data

Product Group	2 (Terminal Block Accessories)
PU (SPU)	500 pcs
Packaging type	Box
Country of origin	DE
GTIN	4045454331542
Customs tariff number	85369010000

Product Classification

UNSPSC	39121405
eCl@ss 10.0	27-40-02-01
eCl@ss 9.0	27-40-02-01
ETIM 9.0	EC000005
ETIM 10.0	EC000005
ECCN	NO US CLASSIFICATION

Environmental Product Compliance

RoHS Compliance Status	Compliant, No Exemption
------------------------	-------------------------

Downloads

Environmental Product Compliance

Compliance Search

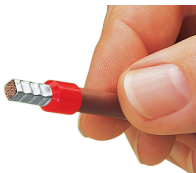
Environmental Product Compliance 216-542	↓
--	---

Documentation

Bid Text

216-542	19.02.2019	xml 2.57 KB	↓
216-542	04.01.2018	doc 22.00 KB	↓

Installation Notes



A perfect gas-tight crimp – both electrical-ly and mechanically reliable

Subject to changes. Please also observe the further product documentation!

Current addresses can be found at: www.wago.com