

MEM Single-lever basin mixer with pop-up waste - Platinum

MEM

33 501 782 Product version from 3/10/2014 to 3/19/2019

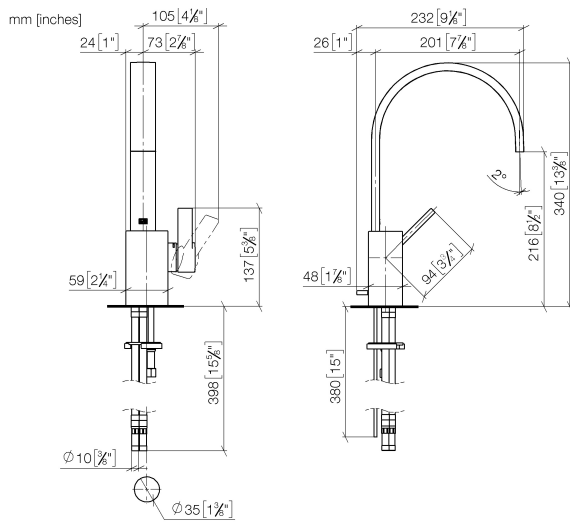


- 200mm projection
- fixed spout
- rectangular, air-enriched flow
- height of mixer 340 mm
- height up to aerator 216 mm
- hole diameter 35 mm
- 2x screw-in M 10 x 1 pressure hose, leak-tested
- max. flow 5.7 l/min
- lead-free
- WRAS
- This product can help a building meet the requirements of Green Building Rating Systems, e.g. LEED®, BREEAM®, DGNB

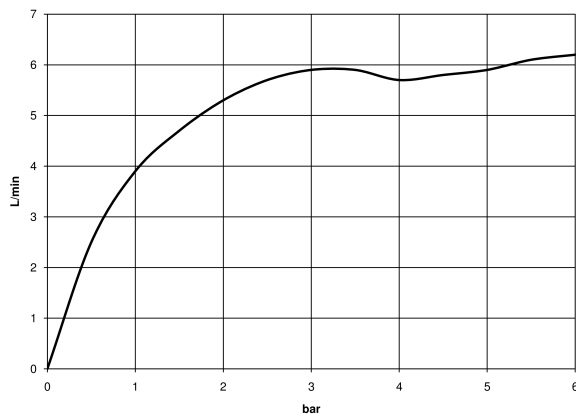
Only suitable for basins with an overflow.

	Platinum	33 501 782-08
	Chrome	33 501 782-00
	Brushed Platinum	33 501 782-06
	Dark Chrome	33 501 782-19
	Brushed Light Gold (PVD)	33 501 782-27
	Brushed Durabrass (23kt Gold)	33 501 782-28
	Brushed Gold (PVD)	33 501 782-37
	Brushed Dark Brass (PVD)	33 501 782-39
	Brushed Bronze (PVD)	33 501 782-42
	Brushed Dark Bronze (PVD)	33 501 782-43
	Brushed Champagne (22kt Gold)	33 501 782-46
	Champagne (22kt Gold)	33 501 782-47
	Brushed Dark Platinum	33 501 782-99

33 501 782 Product version from 3/10/2014 to 3/19/2019



Flow rate chart



Codes & Standards

DIN 4109

EN 817

Executive Order
no. 1007

ISO 3822

Scottish Water
Byelaws

UK Water Supply
Regulations

Ü-Zeichen

VA-Zeichen



MEM Single-lever basin mixer with pop-up waste - Platinum

MEM

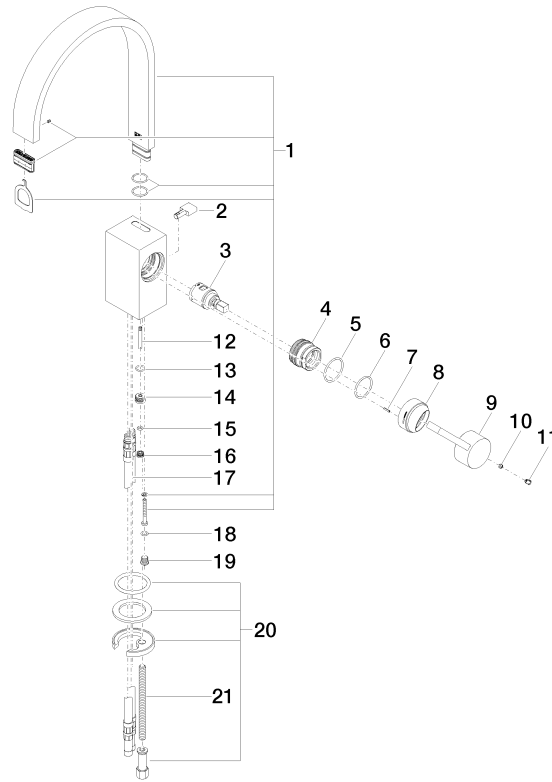
33 501 782 Product version from 3/10/2014 to 3/19/2019

Certificates and sustainability

ETA_18	GDV_0400	LGA_28	WRAS_240202	EPD-DOR-20230287 -IBA1-EN Environmental.prod uct-declarat
--------	----------	--------	-------------	--

33 501 782 Product version from 3/10/2014 to 3/19/2019

Parts for other finishes can be found here: [Chrome](#)



22 ———— Hersteller-Nr. 33.511.01.001.00.0

Spare parts list

No.	Item Number	Name	Quantity used	Delivery time
7	09 31 11 152 90	Roll pin Lightweight type slotted Ø 2 x 10 mm -	1.00	14
12	09 31 09 080-08	Pull rod for pop-up waste Ø 4 x 400 mm - Platinum	1.00	54
11	09 31 20 017 90	Plug Masking plug -	1.00	-
Spare part can no longer be ordered, please order the replacement item				
	09312010990	Plug -		
19	09 31 20 027 10-00	Plug M8 x 1 - Chrome	1.00	20
5	09 14 10 137 90	O-Ring EPDM 70 29,0 x 2,0 mm -	1.00	14
21	09 31 11 012 90	Mounting Threaded bolt M8 x110 mm -	1.00	14
4	09 24 04 288 90	Mounting Nut Ø 34 x 26,5 mm -	1.00	14
9	09 20 78 057-08	Handle Lever 24 x 41 x 96 mm - Platinum	1.00	54
18	09 14 10 132 90	O-Ring EPDM 70 6,0 x 1,5 mm -	1.00	14
17	04 30 04 016 00 90	High pressure hose M10x1 x 420 mm -	2.00	-
Spare part can no longer be ordered, please order the replacement item				
	0430041040090	High pressure hose M10x1 x 3/8" x 420 mm -		
2	09 20 78 032-08	Pull button 6 x 15 x 30 mm - Platinum	1.00	54
8	09 28 30 028-08	Cover Ø 40 x 24 mm - Platinum	1.00	54
20	04 30 11 038 75 90	Mounting with O-ring Ø36 x 4mm Ø 52 x 1,5 mm -	1.00	14
1	90 28 22 152 01-08	Spout 200 x 35 x 11 x 235 mm, 5,68 l/min. - Platinum	1.00	54
10	90 31 11 063 00 90	Mounting Threaded pin with hexagon socket with cup point M5 x 4 mm -	1.00	14
6	90 14 10 063 00 90	O-Ring EPDM 70 26,0 x 2,0 mm -	1.00	14
15	09 14 10 166 90	O-Ring NBR 70 4,1 x 1,6 mm -	1.00	14
14	09 24 04 289-08	Nipple Ø 13 x 7,5 mm - Platinum	1.00	54
22	90 11 01 001 00-08	Basin Waste - Platinum	1.00	54
16	09 24 04 290 90	Nipple Ø 9 x 5 mm -	1.00	14
13	09 14 10 042 90	O-Ring EPDM 70 9,0 x 1,5 mm -	1.00	14
3	90 15 05 042 00 90	Cartridge Ø 25 x 52 mm -	1.00	14