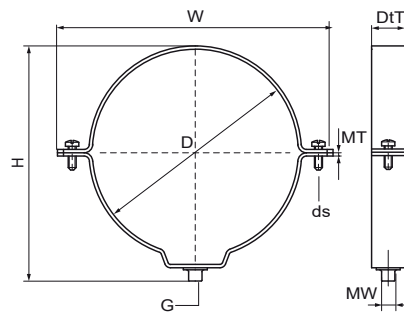


Walraven Pipe Clamp 3000 (M8) (ZP)

(B3515)

for plastic pipes



Features & benefits

- two-screw clamp
- with 'keyhole closing'
- for rigid fixing point fastening it is necessary to use lining (Part No. 0814025)
- inside clamp diameter larger than outside pipe diameter for expansion or contraction of the pipe
- outside profile to protect pipes from damage
- material: steel
- zinc plated

EPD

Product Number	Outside Pipe Diameter	DN	Connection Thread	Total Height	Total Width	Total Depth	Material Width	Material Thickness	Screw Size	Maximum Allowed Load Faz	Approvals
Reference Letter	D	D	G	H	W	DtT	MW	MT	ds	Fa,z	
Unit description	mm			mm	mm	mm	mm	mm		N	
0811032	32	DN 25	M8	56	79	20	18	2.00	M5	1,320	EPD
0811040	40	DN 32	M8	66	87	20	20	2.00	M5	1,320	EPD
0811050	50	DN 40	M8	77	97	20	20	2.00	M5	1,320	EPD
0811063	63	DN 50	M8	89	110	20	20	2.00	M5	1,320	EPD
0811075	75	DN 70	M8	99	122	20	20	2.00	M5	1,320	EPD
0811080	80	-	M8	105	127	20	20	2.00	M5	1,320	EPD
0811090	91	DN 80	M8	114	137	20	20	2.00	M5	1,320	EPD
0811110	111	DN 100	M8	134	161	25	25	2.50	M6	2,070	EPD
0811125	126	DN 125	M8	149	176	25	25	2.50	M6	2,070	EPD
0811160	161	DN 150	M8	187	211	25	25	2.50	M6	2,070	EPD
0811200	201	DN 200	M8	224	256	25	25	2.50	M6	2,070	EPD