







**MADISON Single-hole bidet mixer with pop-up waste - Brushed Durabronze  
(23kt Gold)**

MADISON

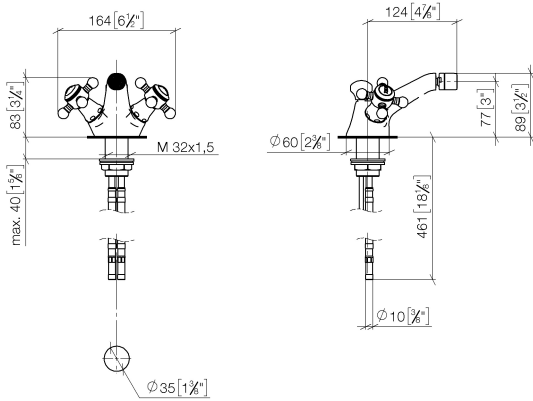
24 510 360 Product version from 7/31/2009



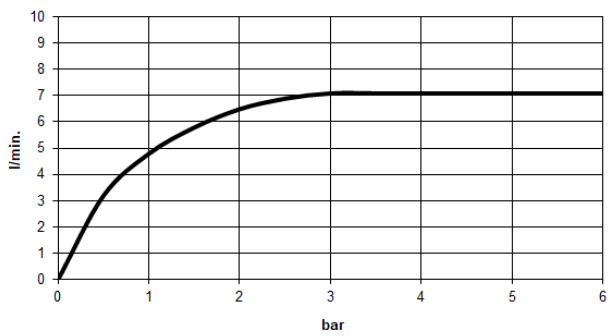
- 125mm projection
- ball-joint pivotable through 15°
- circular, air-enriched flow
- height of mixer 88 mm
- height up to aerator 78 mm
- hole diameter 35 mm
- 2x screw-in M 10 x 1 pressure hose, leak-tested
- max. flow 7 l/min
- WRAS

	Brushed Durabronze (23kt Gold)	24 510 360-28
	Chrome	24 510 360-00
	Brushed Platinum	24 510 360-06
	Platinum	24 510 360-08
	Durabronze (23kt Gold)	24 510 360-09
	Brushed Gold (PVD)	24 510 360-37
	Brushed Dark Brass (PVD)	24 510 360-39
	Brushed Bronze (PVD)	24 510 360-42
	Brushed Dark Platinum	24 510 360-99

24 510 360 Product version from 7/31/2009  
mm [inches]



**Flow rate chart**



**Codes & Standards**

Scottish Water  
Byelaws

UK Water Supply  
Regulations



MADISON Single-hole bidet mixer with pop-up waste - Brushed Durabross  
(23kt Gold)

MADISON

---

24 510 360 Product version from 7/31/2009

Certificates and sustainability

---

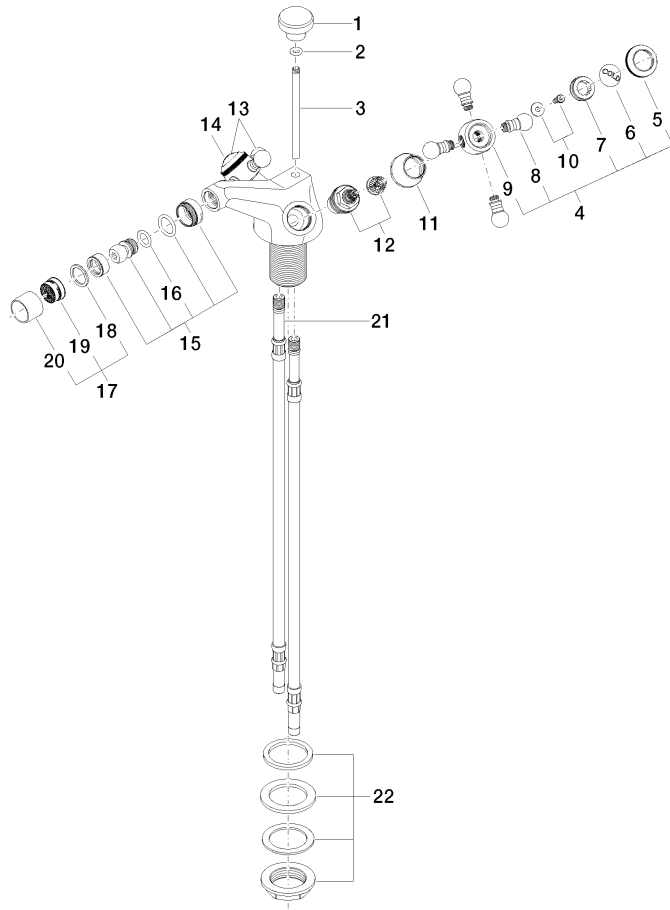
WRAS_2310	EPD-DOR-20230287
	-IBA1-EN
	Environmental.prod
	uct-declarat

**MADISON Single-hole bidet mixer with pop-up waste - Brushed Durabronz  
(23kt Gold)**

MADISON

24 510 360 Product version from 7/31/2009

Parts for other  
finishes can be found  
here: [Chrome](#)



23 ———— Abteilnummer 04.11.01.001.00-#