

26 413 892 Product version from 4/1/2024



- metal shower hose 1750mm with integrated anti-twist protection
- shower hose connector 3/8"
- slide bar

**Technical data:**


- gauge 800 mm
- rosettes Ø 55 mm
- Pipe diameter 18 mm

**Notes:**

- This article does not include a hand shower!

This article does not include a hand shower!

Recommended miscellaneous

	<b>Concealed wall elbow -</b> • min. recess depth 90 mm • max. recess depth 163 mm	35 085 970 90
---	--	---------------

Required miscellaneous

	<b>Hand shower - Matte Black</b>	28 017 979-33
---	----------------------------------	---------------


Required miscellaneous

	<b>SERIES-VARIOUS Hand shower FlowReduce - Matte Black</b>	28 029 979-33 0010
---	--	--------------------


Required miscellaneous

	<b>SERIES-VARIOUS Hand shower FlowReduce - Matte Black</b>	28 025 979-33 0010
---	--	--------------------


Required miscellaneous

	<b>Hand shower 100 mm - Matte Black</b>	28 018 979-33
---	---	---------------

Required miscellaneous

	<b>Hand shower 130 mm - Matte Black</b>	28 016 979-33
---	---	---------------

Required miscellaneous

	<b>Hand shower 120 mm - Matte Black</b>	28 012 979-33
---	---	---------------

Required miscellaneous

	<b>SERIES-VARIOUS Hand shower FlowReduce - Matte Black</b>	28 027 979-33 0010
---	--	--------------------


Required miscellaneous

	<b>SERIES-VARIOUS Hand shower - Matte Black</b>	28 029 979-33
---	---	---------------


Recommended miscellaneous

	<b>Wall elbow - Matte Black</b>	28 450 625-33
---	---------------------------------	---------------


Required miscellaneous

	<b>Hand shower FlowReduce 100 mm - Matte Black</b>	28 018 979-33 0010
---	--	--------------------

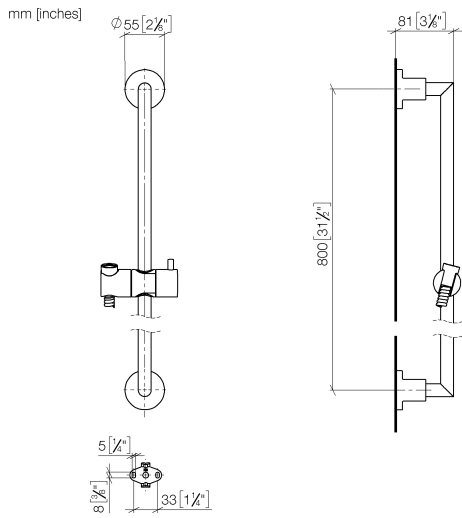
Required miscellaneous

	<b>Hand shower FlowReduce 130 mm - Matte Black</b>	28 016 979-33 0010
---	--	--------------------

Required miscellaneous

	<b>Hand shower FlowReduce 120 mm - Matte Black</b> • 5 jets • Ø 120 mm	28 012 979-33 0010
---	--	--------------------

26 413 892 Product version from 4/1/2024

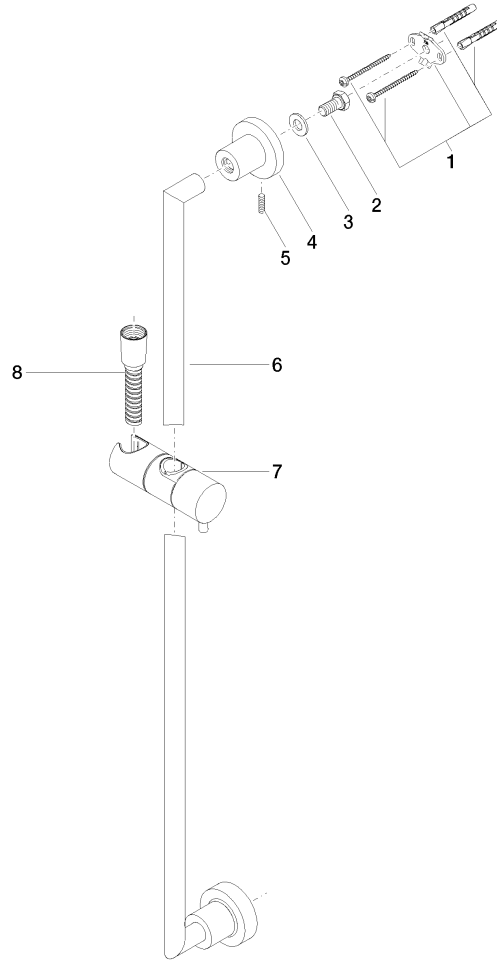


**Codes & Standards**

ASME A112.18.1	cUPC	Scottish Water Byelaws	UK Water Supply Regulations
XP P 41-280			

**Certificates and sustainability**

ACS_20 ACC LY	WRAS_2009	IAPMO_4976
---------------	-----------	------------



### Spare parts list

No.	Item Number	Name	Quantity used	Delivery time
5	04 31 11 113 00 90	Mounting Threaded pin M5 x 12 mm -	2.00	14
6	05 28 22 590 00-33	Holder for towel rail and shower set 818 x 40 x 18 mm - Matte Black	1.00	40
4	08 17 89 505-33	Holder universal 60 x 100 x 60 mm - Matte Black	2.00	40
1	05 17 20 739 00 90	Attachment set 150 x 65 x 10 mm -	2.00	14
2	09 30 30 071 90	Mounting Hexagonal bolt with thread as far as head M10 x 20 mm -	2.00	14
3	09 30 11 046 90	Washer Ø 10,5 -	2.00	14
8	28 322 970-33	Metal shower hose 1/2" x 3/8" x 1750 mm - Matte Black	1.00	14
7	12 580 970-33	Slide unit - Matte Black	1.00	20